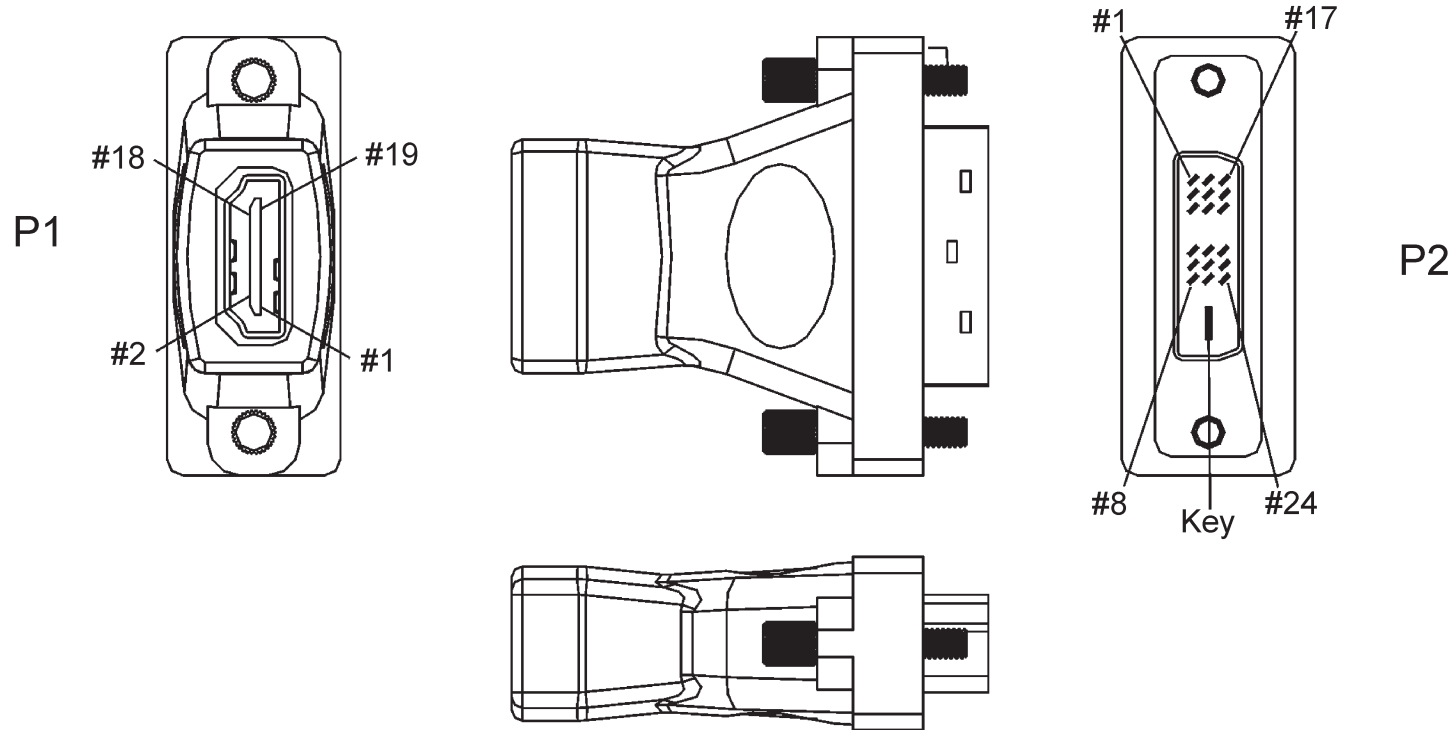


REV.	ECN NO.	DATE
A	Released	02/10/2011



Pin Assignment	
P1	P2
1	2
3	1
2	3
4	10
6	9
5	11
7	18
9	17
8	19
10	23
12	24
11	22
15	6
16	7
17	15
19	16
18	14
S	S

ELECTRICAL TEST:
 (1)100% OPEN SHORT & MIS WIRE TEST.
 (2)CONTACT RESISTANCE 3 ohm Max .
 (3)INSULATION RESISTANCE 5M ohm Min .

RoHS Compliant

No.	Part Name	Description	Qty	Unit
5	Molding	Molded type PVC 45P, black		
4	Molding	Inner mold w/copper foil		
3	Connector	HDMI A female, 15u", Shell: Ni plated, black	1	PCS
2	Connector	DVi 18+key male, G/F, Shell; Ni plated, black	1	PCS
1	Wire	NON-UL, 28AWG	17	PCS

Scale		Drawn by	ANGLIA
Unit	mm	Checked by	Kevin
Tolerance		Sheet	1 of 1
.X ±		Projection	
.XX ±			
.XXX ±			
ANG. =			

XMULTIPLE	
Name: Adapter, DVI 18+key male / HDMI 19p female	
Part number	XHDMI-AD05-DV18M/HDMI19F-B
Drawing no.	AD05-DV 18M/HDMI19F-B