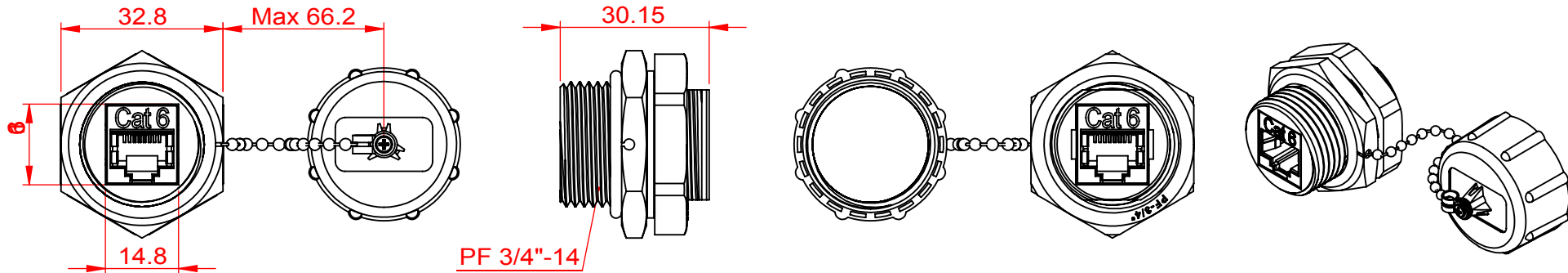


REV.	DESCRIPTION	APPROVED BY	DATE	ECN NO.
A				
B				
C				



MATERIAL

MAIN BODY : PBT high-impact UL94V-0 thermoplastic, 15% Glass Fiber filled
 SHIELDED CASE : Copper C2680, t=0.25mm, 30u" Nickel plated
 COUPLER HOUSING : ABS high-impact UL94V-0 thermoplastic
 SPRING WIRE : Phosphor Bronze 5100W temper wire, $\phi=0.45\text{mm}$
 50u" Gold over 100u" Nickel undercoat

PHYSICAL CHARACTERISTICS

INSERTION LIFE : 750 MATING CYCLES WITH FCC COMPLIANT RJ-45 PLUG
 CONTACT FORCE : 100 GRAMS WITH FCC COMPLIANT RJ-45 PLUG
 PLUG RETENTION FORCE : 11 LBF MIN.
 OPERATING TEMPERATURE RANGE : -10°C TO 60°C
 STORAGE TEMPERATURE RANGE : -40°C TO 68°C
 HUMIDITY : 10%~90%RH

ELECTRICAL

INSULATION RESISTANCE : 500 M Ω
 DIELECTRIC WITHSTANDING VOLTAGE : 1000 V
 DC CURRENT RATING : 1.5 Amps
 DC RESISTANCE : 0.1 Ω
 CONTACT RESISTANCE : 20m Ω



IP67

ACCORDING TO IEC 60529:2001-02
 Degrees of Protection Provided by Enclosures
 6: Dust-tight

7: Protected from immersion in water for 30 minutes at a depth of 1 meter.

DRAWN		APP'D		UNIT	mm	TOLERANCE			TITLE	CAT.6 SHIELDED COUPLER , IP67		SHEET	
CHK'D				SCALE	1:1				PART NO.	XWP-8DS-C6-BK	DWG.		