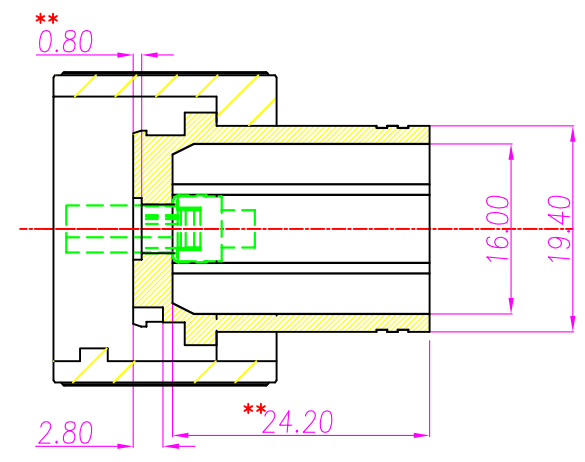
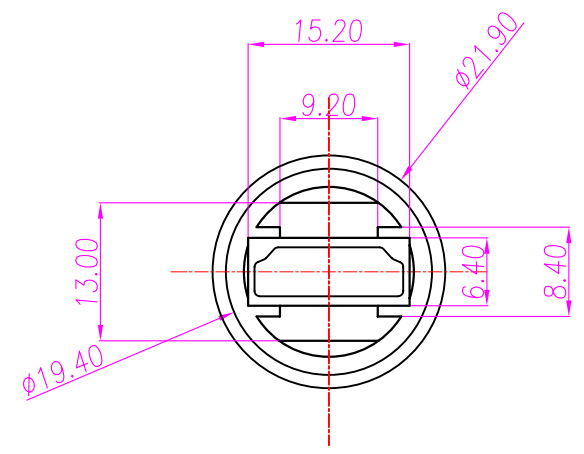
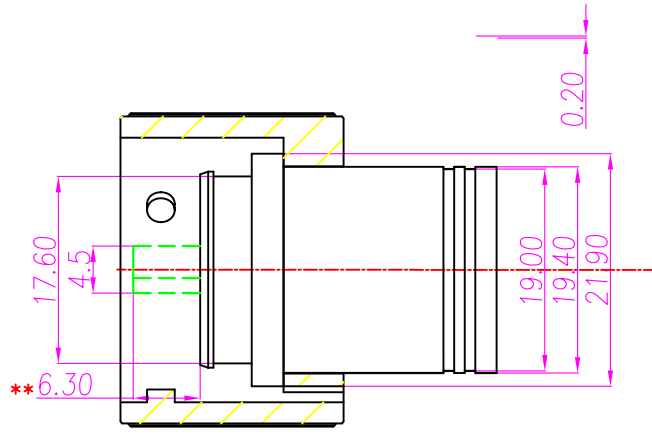
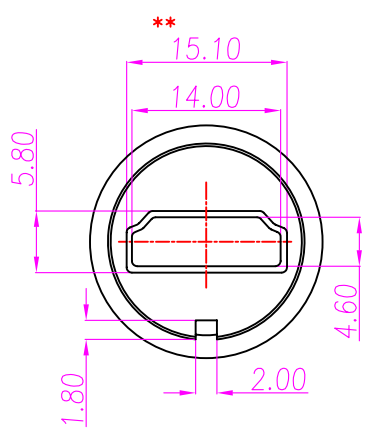
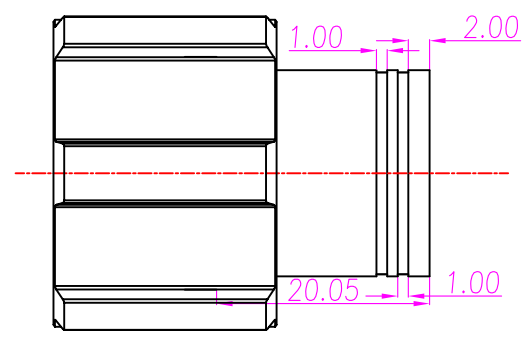


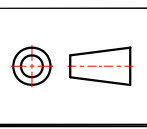
RoHS

REV.	DESCRIPTION	CHANGE. BY	APPVL. BY	DATE
A				
B				
C				

**MATERIAL:**  
 1.HOUSING : PBT+30%GF , UL 94V-0 , BLACK.  
 2.OUTER COVER : PBT+30%GF , UL 94V-0 , BLACK.  
 3.O-RING : SILICONE , ORANGE .  
 4.HDMI : CONTACT: 15u” GOLD PLATED..



DRAW. BY	hulk	DATE	01/20/08"	UNIT	mm	TOLERANCE
APPVL. BY	Frank	VERSION	A	SCALE	1:1	.x ±0.20 .xx ±0.10



Xmultiple Technologies, Inc.

ITEM	HDMI WATERPROOF MALE CONNECTOR FOR CABLE, BLACK.		
PART NO.	XHM-19M1-19	DWG NO.	QC3098

SHEET 1  
 SIZE A4