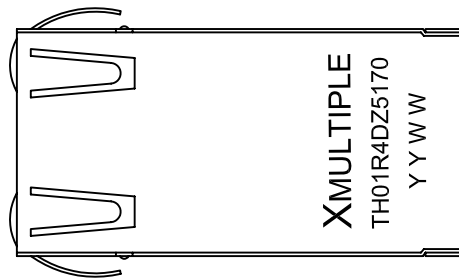


1. MECHANICAL DIMENSIONS :



NOTES:

1. MATERIALS:

HOUSING: HIGH TEMP. THERMOPLASTIC, PBT
UL 94V-0, BLACK

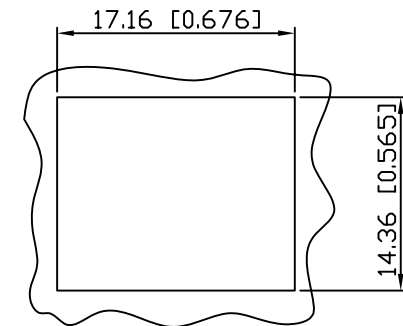
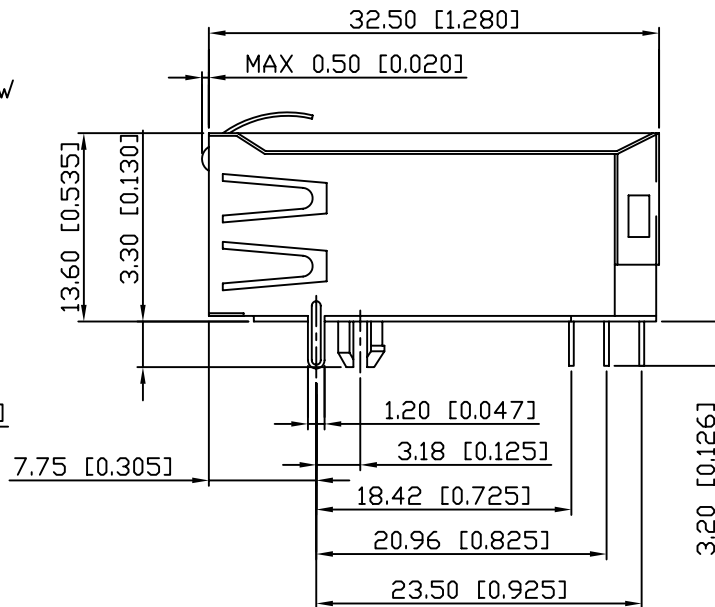
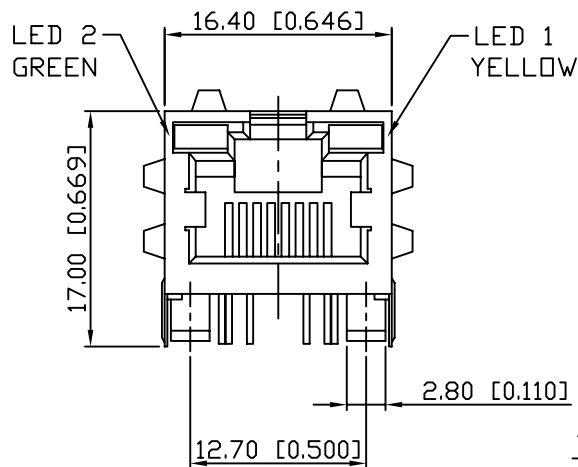
CONTACTS: 0.35mm THICK PHOS-BRONZE PLATED
WITH 15u" GOLD AND GOLD FLASH
IN SOLDER AREA.

SHIELD: 0.25mm THICK COPPER ALLOY,
PLATED WITH NICKEL.

2. OPERATING TEMPERATURE : 0°C~70°C

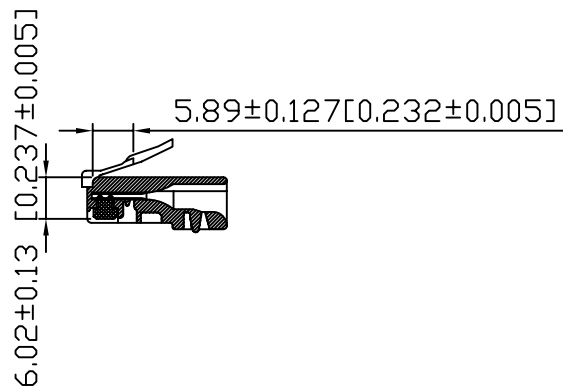
3. CAVITY CONFORMS TO FCC RULES AND REGULATIONS
PART 68, SUBPART F.

4. UNSPECIFIED TOLERANCE: .XX ±0.25 [0.01]
.X ±0.30 [0.012]



RECOMMENDED
PANEL CUTOUT DIMENSION

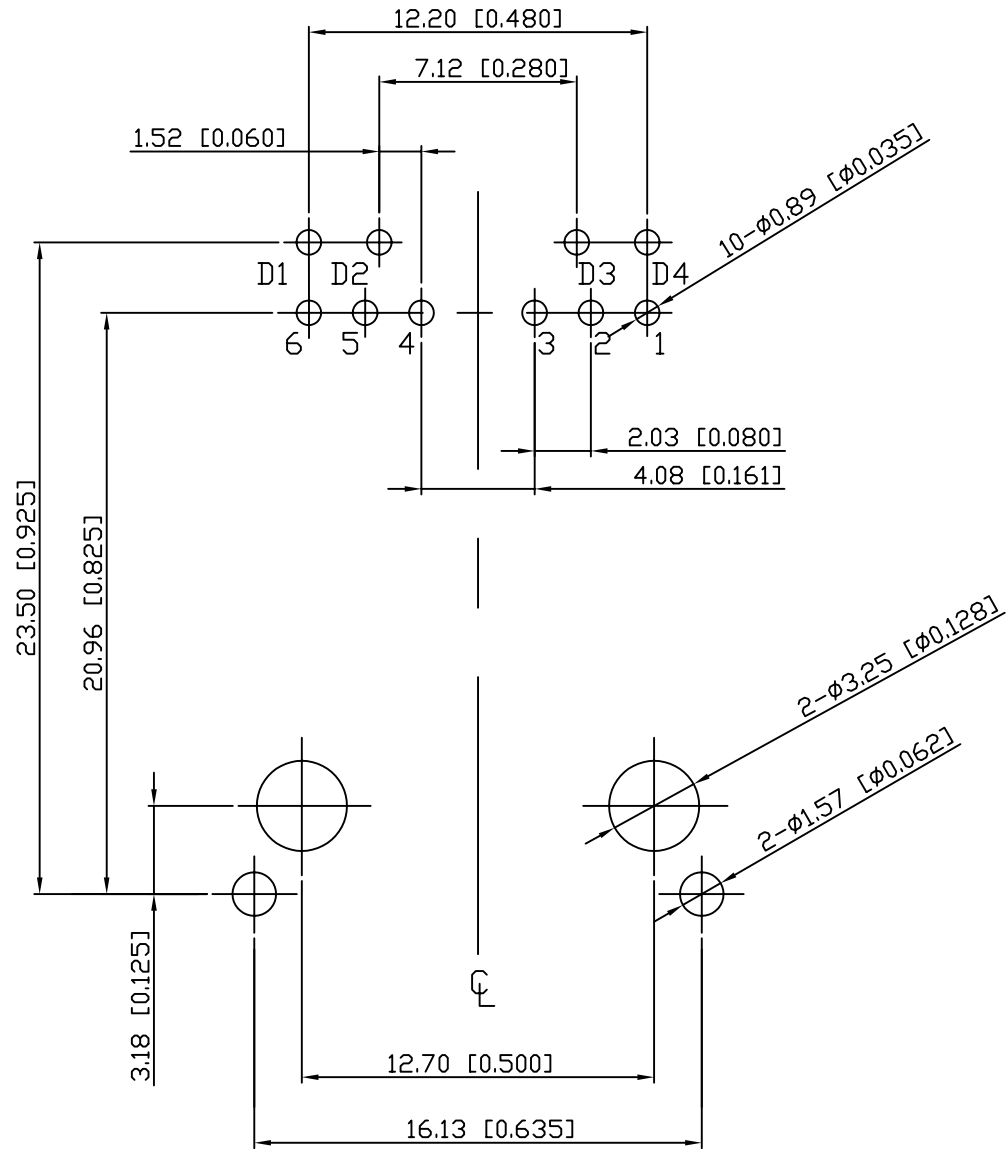
RECOMMENED PLUG DIMENSION:



RoHS Compliant

XMULTIPLE			CONNECTING THE INFORMATION AGE	
XMULTIPLE ASIA 4F, No. 347, Yang Guang St., Neihu, Taipei, Taiwan 11475		XMULTIPLE USA 1420 Los Angeles Ave., Suite G, Simi Valley, CA 93065		G/ND:
THIS DRAWING IS A CONTROLLED DOCUMENT.				DWG NO: XTJH-01R-4-DZ5-170-MA
TITLE: RJ45, w/LED, w/Filter 10/100 Mbps 8P,6C, Shielded, Thru-Hole, With TVS.		PART NO: XTJH-01R-4-DZ5-170-MA		DRAWN: IVAN
UNIT mm[Inch]		SHEET 1 of 3	REV 01	CHKD: TARA
DATE: Oct.27,08				

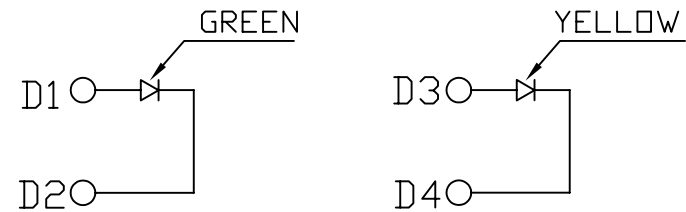
2. PCB LAYOUT :



SUGGESTED PCB LAYOUT
TOP VIEW

DIMENSIONAL TOLERANCE: .XX ±0.08[0.003]

3. LED CONFIGURATION :

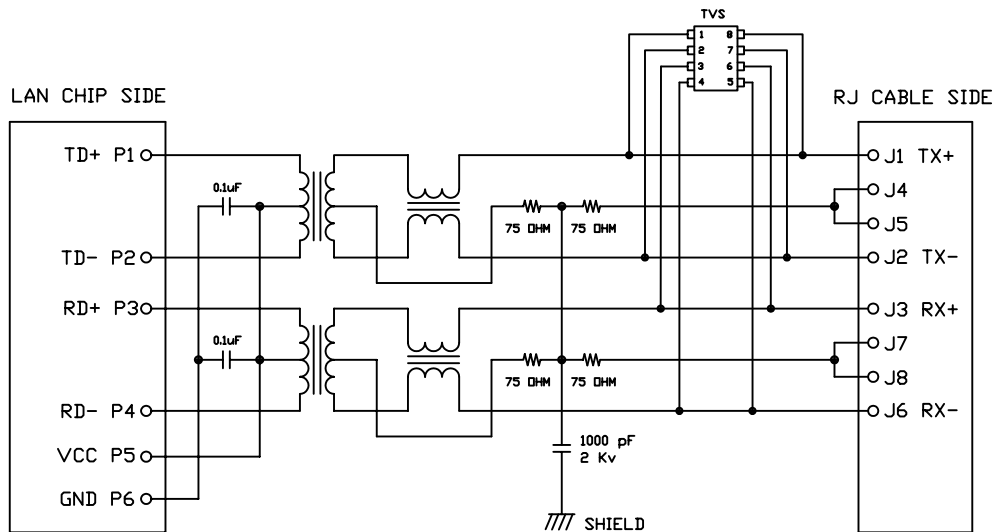


RoHS Compliant

		CONNECTING THE INFORMATION AGE	
X MULTIPLE ASIA 4F, No. 347, Yang Guang St., Neihu, Taipei, Taiwan 11475		X MULTIPLE USA 1420 Los Angeles Ave., Suite G, Simi Valley, CA 93065	
THIS DRAWING IS A CONTROLLED DOCUMENT.			
TITLE: RJ45, w/LED, w/Filter 10/100 Mbps 8P,6C, Shielded, Thru-Hole, With TVS.		DWG NO: XTJH-01R-4-DZ5-170-MA	
PART NO: XTJH-01R-4-DZ5-170-MA		DRAWN: IVAN	
		UNIT mm[Inch]	SHEET 2 of 3
		REV 01	DATE: Oct.27,08

4. SCHEMATIC:

5. ELECTRICAL CHARACTERISTICS :



TEST NOTES:($25 \pm 5^\circ\text{C}$)

1.TR:(100KHz,0.1V);

PINS:(P1-P2):(J1-J2)= $1:1 \pm 3\%$

PINS:(P3-P4):(J3-J6)= $1:1 \pm 3\%$

2.LX:(100KHz,100mV,8mA, DC Bias)

PINS:(P1,P3),(P4,P6)=350uH MINIMUM

3.DCR:

PINS:(J1-J2),(J3-J6)= 1.2 OHMS MAXIMUM

4.HIPOT:

PINS(P1,P5,P2)TO(J1,J2)=1500VAC FOR 60 SECONDS

PINS(P3,P5,P4)TO(J3,J6)=1500VAC FOR 60 SECONDS

5.INSERTION LOSS:

-1.0dB MAXIMUM AT 0.3MHz TO 100MHz;

6.RETURN LOSS:

-20dB MINIMUM AT 1MHz TO 30MHz;

-15dB MINIMUM AT 30MHz TO 60MHz

-10dB MINIMUM AT 60MHz TO 80MHz

7.CROSS TALK:

-30dB MINIMUM AT 1MHz TO 100MHz

8.COMMON TO COMMON MODE REJECTION:

-30dB MINIMUM AT 1MHz TO 100MHz

XTJH-01R-4-DZ5-170-MA

PRODUCT SERIES

T : WITH TVS
H : TAB UP AND STACKED

NUMBER OF PORTS
MECHANICAL TYPE
01R : XRJH 1 PORT, LENGTH=32.5mm,
STRAIGHT PINS

LED COLOR OPTION

CUSTOMER CODE

SPECIAL CODE
0 : STANDARD

SHIELDED TYPE
7 : EMI FINGER ON ALL SIDE

LED POLARITY
1 : +-, +-

CIRCUIT TYPE

RoHS Compliant

				MULTIPLE ASIA 4F, No. 347, Yang Guang St., Neihu, Taipei, Taiwan 11475
MULTIPLE USA 1420 Los Angeles Ave., Suite G, Simi Valley, CA 93065		G/NO:		
THIS DRAWING IS A CONTROLLED DOCUMENT.				DWG NO: XTJH-01R-4-DZ5-170-MA
TITLE: RJ45, w/LED, w/Filter 10/100 Mbps 8P,6C, Shielded, Thru-Hole, With TVS.		DRAWN: IVAN		
PART NO: XTJH-01R-4-DZ5-170-MA		CHKD: TARA		
	UNIT mm[Inch]	SHEET 3 of 3	REV 01	
			DATE: Oct.27,08	