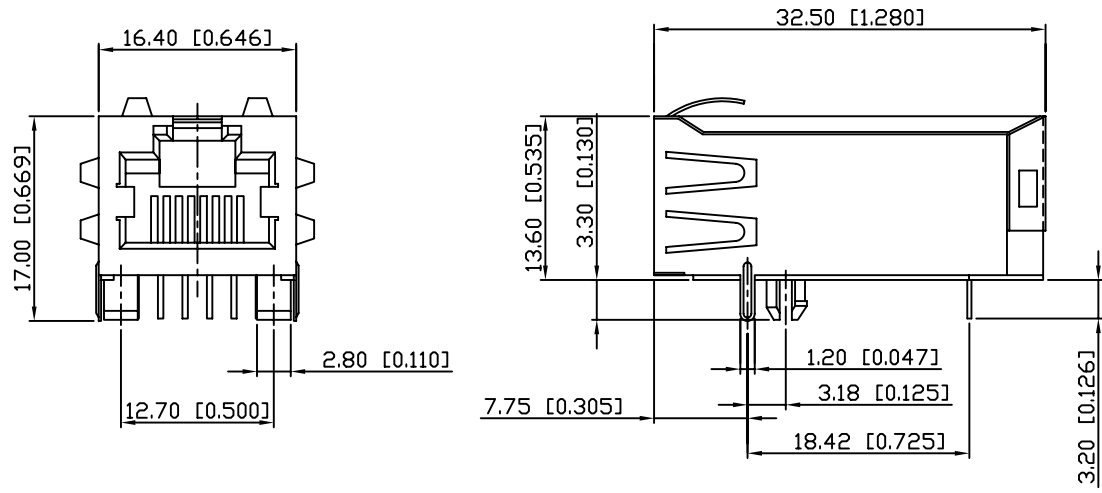
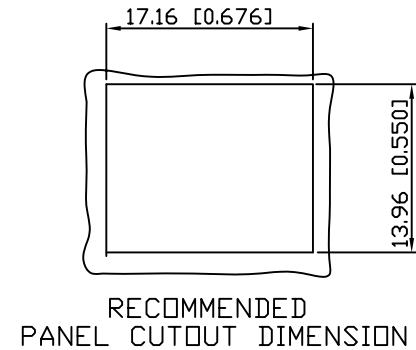


1. MECHANICAL DIMENSIONS :

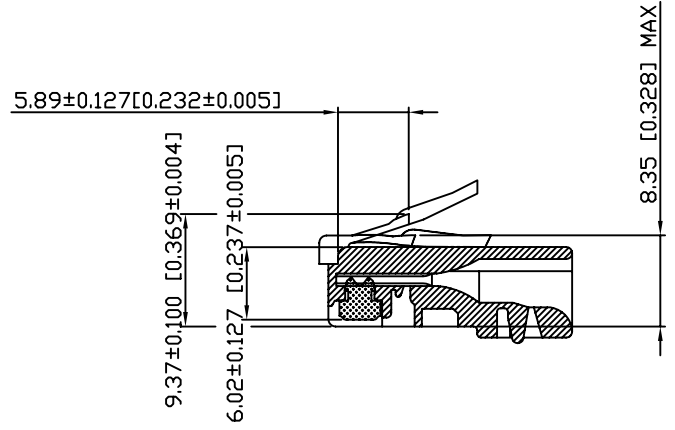
XMULTIPLE
TH01R0D11070
YY WW



NOTES:

- MATERIALS:
HOUSING: HIGH TEMP. THERMOPLASTIC, PBT, UL 94V-0, BLACK
CONTACTS: 0.35mm THICK PHOS-BRONZE PLATED WITH HARD GOLD AND GOLD FLASH IN SOLDER AREA.
SHIELD: 0.25mm THICK COPPER ALLOY, PLATED WITH NICKEL.
- OPERATING TEMPERATURE : 0°C~70°C
- CAVITY CONFORMS TO FCC RULES AND REGULATIONS PART 68,SUBPART F.
- UNSPECIFIED TOLERANCE: .XX ±0.25 [0.010]
.X ±0.30 [0.012]

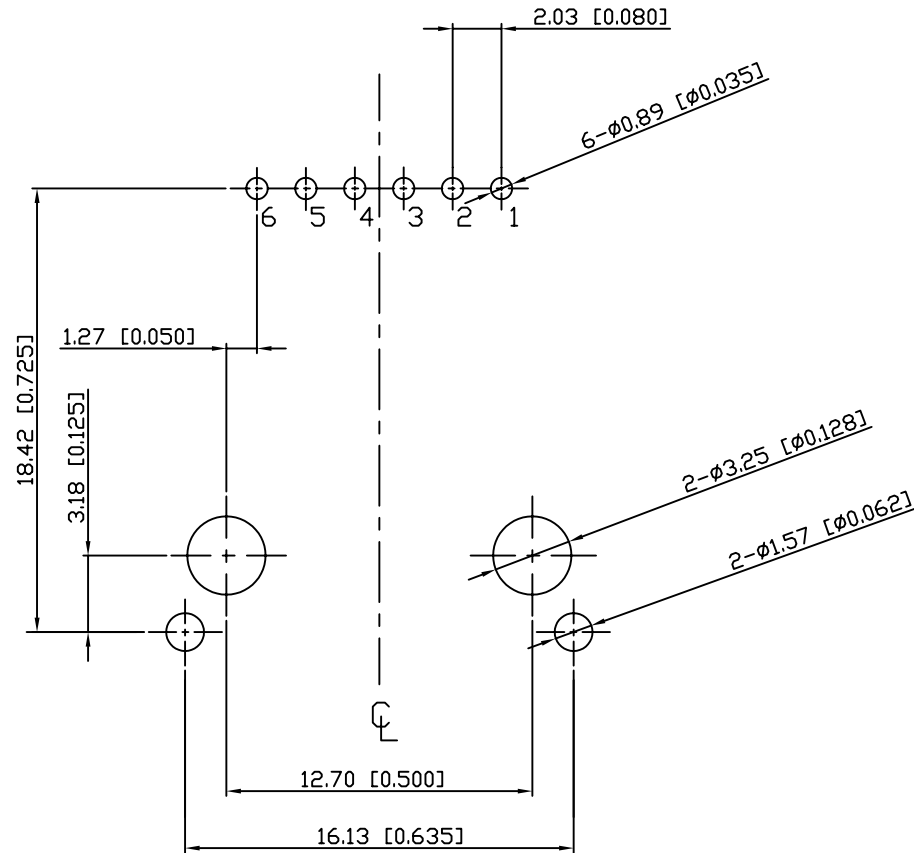
RECOMMENED PLUG DIMENSION:



RoHS Compliant

XMULTIPLE			CONNECTING THE INFORMATION AGE	
XMULTIPLE ASIA 4F, No. 347, Yang Guang St., Neihu, Taipei, Taiwan 11475		XMULTIPLE USA 1420 Los Angeles Ave., Suite G, Simi Valley, CA 93065		G/ND:
THIS DRAWING IS A CONTROLLED DOCUMENT.				DWG NO: XTJH-01R-0-D11-070-GE
TITLE: RJ45, w/o LED, with 10/100 Mbps Filter 8P,6C, Shielded, Thru Hole With TVS.				DRAWN: LEON
PART NO: XTJH-01R-0-D11-070-GE				CHKD: TARA
	UNIT mm [Inch]	SHEET 1 of 3	REV 01	DATE: Sep.16,09

2. PCB LAYOUT :



SUGGESTED PCB LAYOUT
TOP VIEW

DIMENSIONAL TOLERANCE: .XX ±0.08[0.003]

RoHS Compliant

		CONNECTING THE INFORMATION AGE		
				XMULTIPLE ASIA 4F, No. 347, Yang Guang St., Neihu, Taipei, Taiwan 11475
THIS DRAWING IS A CONTROLLED DOCUMENT.				DWG NO: XTJH-01R-0-D11-070-GE
TITLE: RJ45, w/o LED, with 10/100 Mbps Filter 8P,6C, Shielded, Thru Hole With TVS.		DRAWN: LEON		
PART NO: XTJH-01R-0-D11-070-GE		CHKD: TARA		
		UNIT mm[Inch]	SHEET 2 of 3	
		REV 01	DATE: Sep.16,09	

3. SCHEMATIC:

4. ELECTRICAL CHARACTERISTICS :

TEST NOTES:($25 \pm 5^\circ\text{C}$)

1.TR:(100KHz,0.1V);

PINS:(P1-P3):(J1-J2)= $1:1 \pm 3\%$

PINS:(P4-P6):(J3-J6)= $1:1 \pm 3\%$

2.LX:(100KHz,100mV,8mA, DC Bias)

PINS: (P1,P3),(P4,P6)=350uH MINIMUM

3.DCR:

PINS:(J1-J2),(J3-J6)=1.2 OHMS MAXIMUM

4.HIPOT:

PINS(P1,P2,P3)TO(J1,J2)=1500VAC FOR 60 SECONDS

PINS(P4,P5,P6)TO(J3,J6)=1500VAC FOR 60 SECONDS

5.INSERTION LOSS:

-1.0dB MAXIMUM AT 0.3MHz TO 100MHz;

6.RETURN LOSS:

-20dB MINIMUM AT 1MHz TO 30MHz;

-15dB MINIMUM AT 30MHz TO 60MHz

-10dB MINIMUM AT 60MHz TO 80MHz

7.CROSS TALK:

-30dB MINIMUM AT 1MHz TO 100MHz

8.COMMON TO COMMON MODE REJECTION:

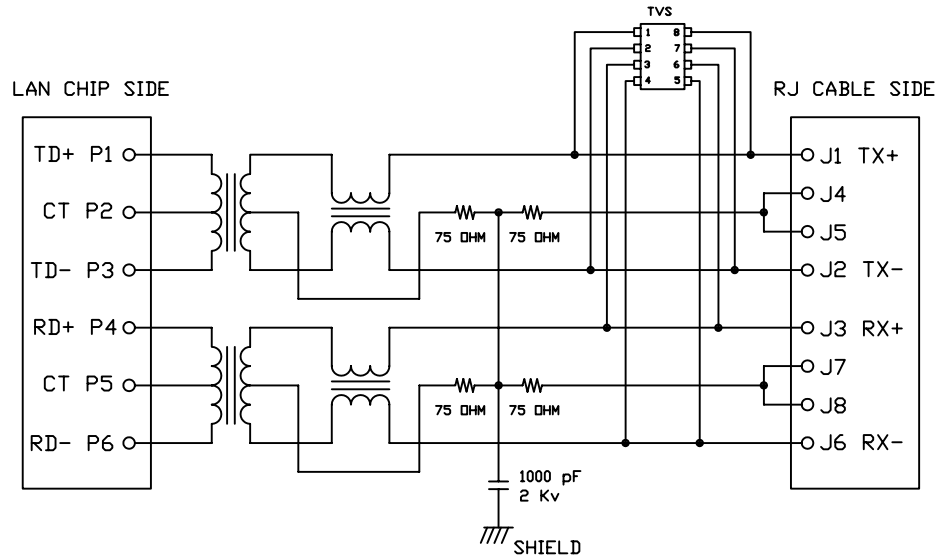
-30dB MINIMUM AT 1MHz TO 100MHz

9.MEET 61000-4-5 (SURGE): 24A, 8/20us

LEVEL 2 & LEVEL 3 SPEC

10.MEET 61000-4-2(ESD): AIR CONTACT 15KV

DIRECT CONTACT 8KV



XTJH-01R-0-D11-070-GE

PRODUCT SERIES

T : WITH TVS
H : TAB UP AND STACKED

NUMBER OF PORTS
MECHANICAL TYPE
01R : XRJH 1 PORT, LENGTH=32.5mm,
STRAIGHT PINS

LED COLOR OPTION

CIRCUIT TYPE

CUSTOMER CODE

SPECIAL CODE
0 : STANDARD

SHIELDED TYPE
7 : EMI FINGER ON ALL SIDE

LED POLARITY
0 : W/O LED

RoHS Compliant

X MULTIPLE			CONNECTING THE INFORMATION AGE	
MULTIPLE ASIA 4F, No. 347, Yang Guang St., Neihu, Taipei, Taiwan 11475		MULTIPLE USA 1420 Los Angeles Ave., Suite G, Simi Valley, CA 93065		G/NO:
THIS DRAWING IS A CONTROLLED DOCUMENT.				DWG NO: XTJH-01R-0-D11-070-GE
TITLE: RJ45, w/o LED, with 10/100 Mbps Filter 8P,6C, Shielded, Thru Hole With TVS.				DRAWN: LEON
PART NO: XTJH-01R-0-D11-070-GE				CHKD: TARA
	UNIT	SHEET	REV	DATE: Sep.16,09
	mm[Inch]	3 of 3	01	