

1 2 3 4 5 6 7 8

A

B

C

D

E

F

A

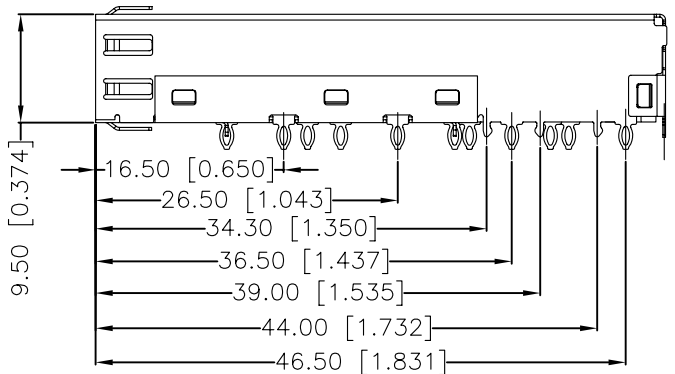
B

C

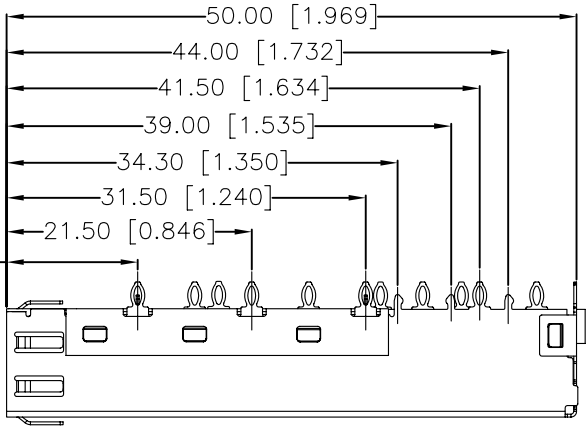
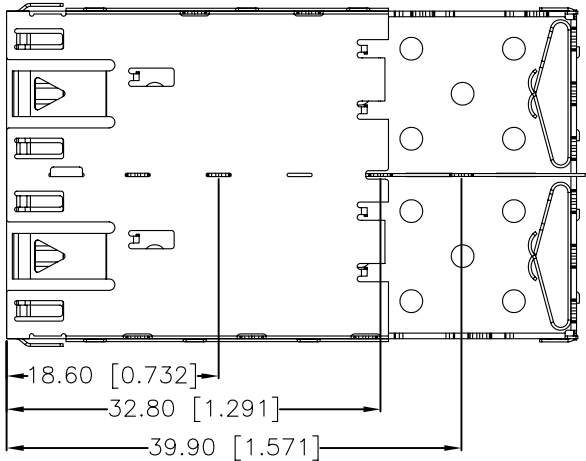
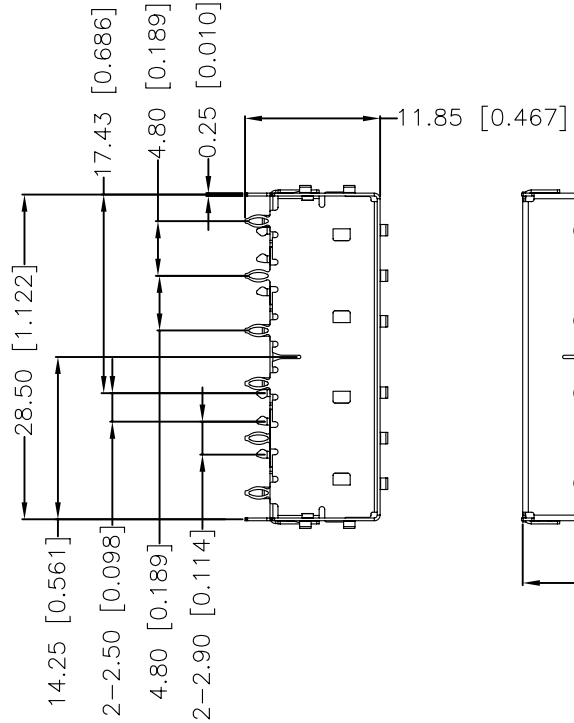
D

E

F



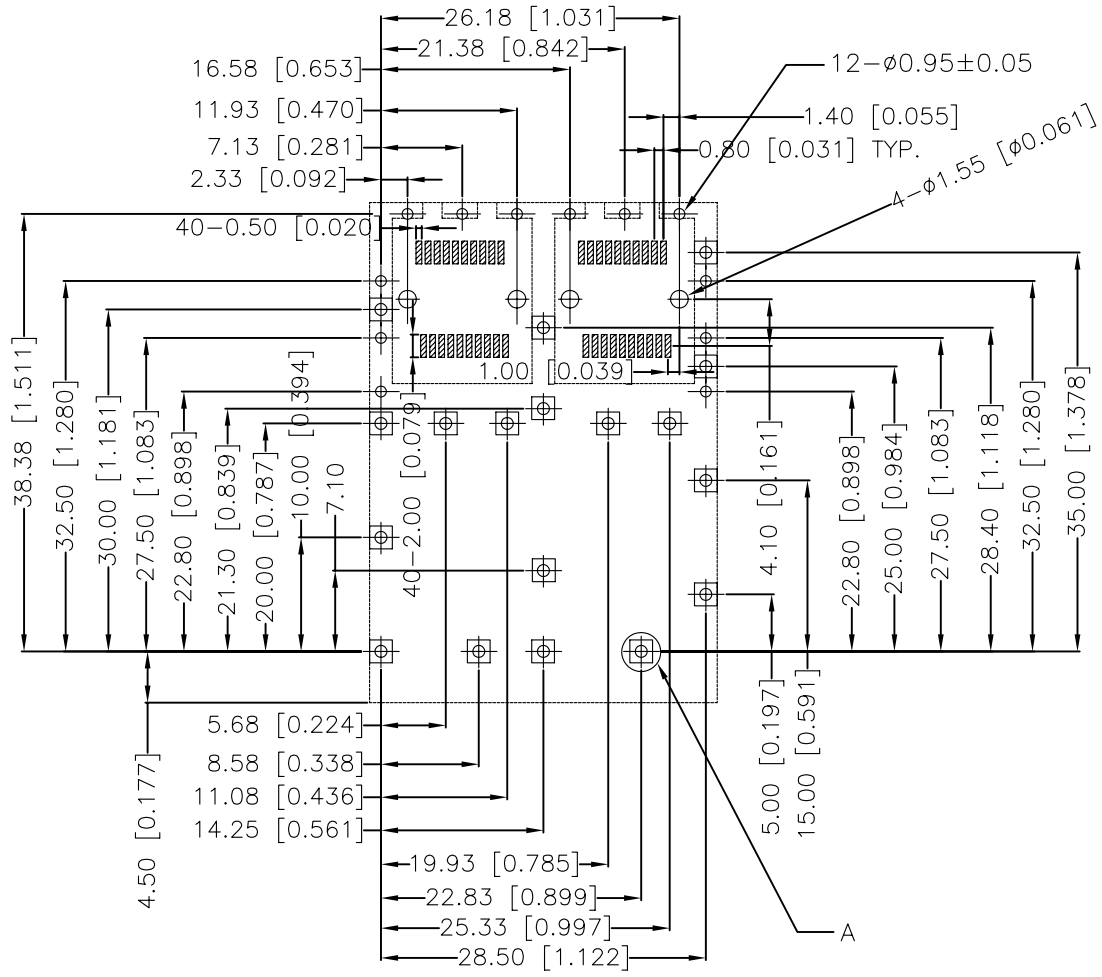
NOTE:
 1.MATERIAL: COPPER ALLOY,NICKEL PLATED
 2.PLATING: 100u" Ni FOR ALL
 3.PACKING: 45PCS/Tray ;450PCS/Carton



RoHS Compliant

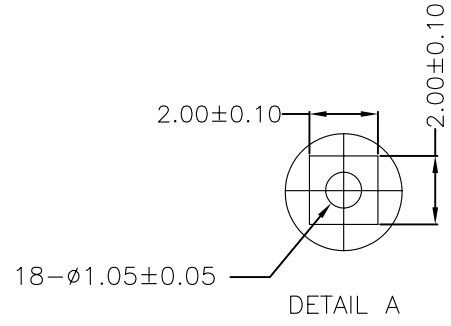
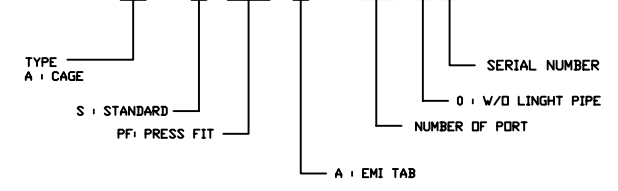
		CONNECTING THE INFORMATION AGE		
				XMULTIPLE ASIA 4F, No. 347, Yang Guang St., Neihu, Taipei, Taiwan 11475
THIS DRAWING IS A CONTROLLED DOCUMENT.				DWG NO: XSFP-A-SPFA-0201
TITLE: SFP CAGE 1x2 PORT PRESS FIT TYPE			DRAWN: IVAN	
PART NO: XSFP-A-SPFA-0201			CHKD: TARA	
	UNIT mm[inch]	SHEET 1 of 2	REV 01	
			DATE: Dec.12,08	

1 2 3 4 5 6 7 8



P.C.B LAYOUT
TOP VIEW ±0.05

XSFP-A-SPFA-0201



RoHS Compliant

		CONNECTING THE INFORMATION AGE		
				XMULTIPLE ASIA 4F, No. 347, Yang Guang St., Neihu, Taipei, Taiwan 11475
THIS DRAWING IS A CONTROLLED DOCUMENT.				DWG NO: XSFP-A-SPFA-0201
TITLE: SFP CAGE 1x2 PORT PRESS FIT TYPE		DRAWN: IVAN		
PART NO: XSFP-A-SPFA-0201		CHKD: TARA		
	UNIT mm [inch]	SHEET 2 of 2	REV 01	
		DATE: Dec.12,08		