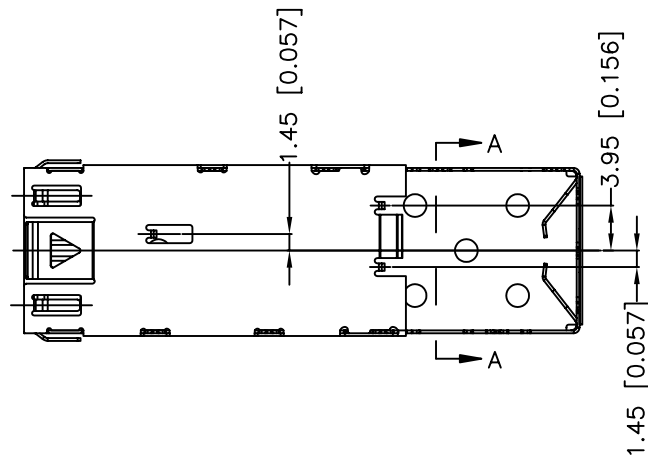
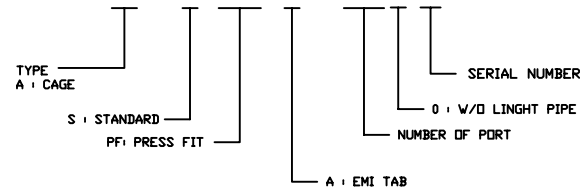


SECTION A-A

XSFP-A-SPFA-0101

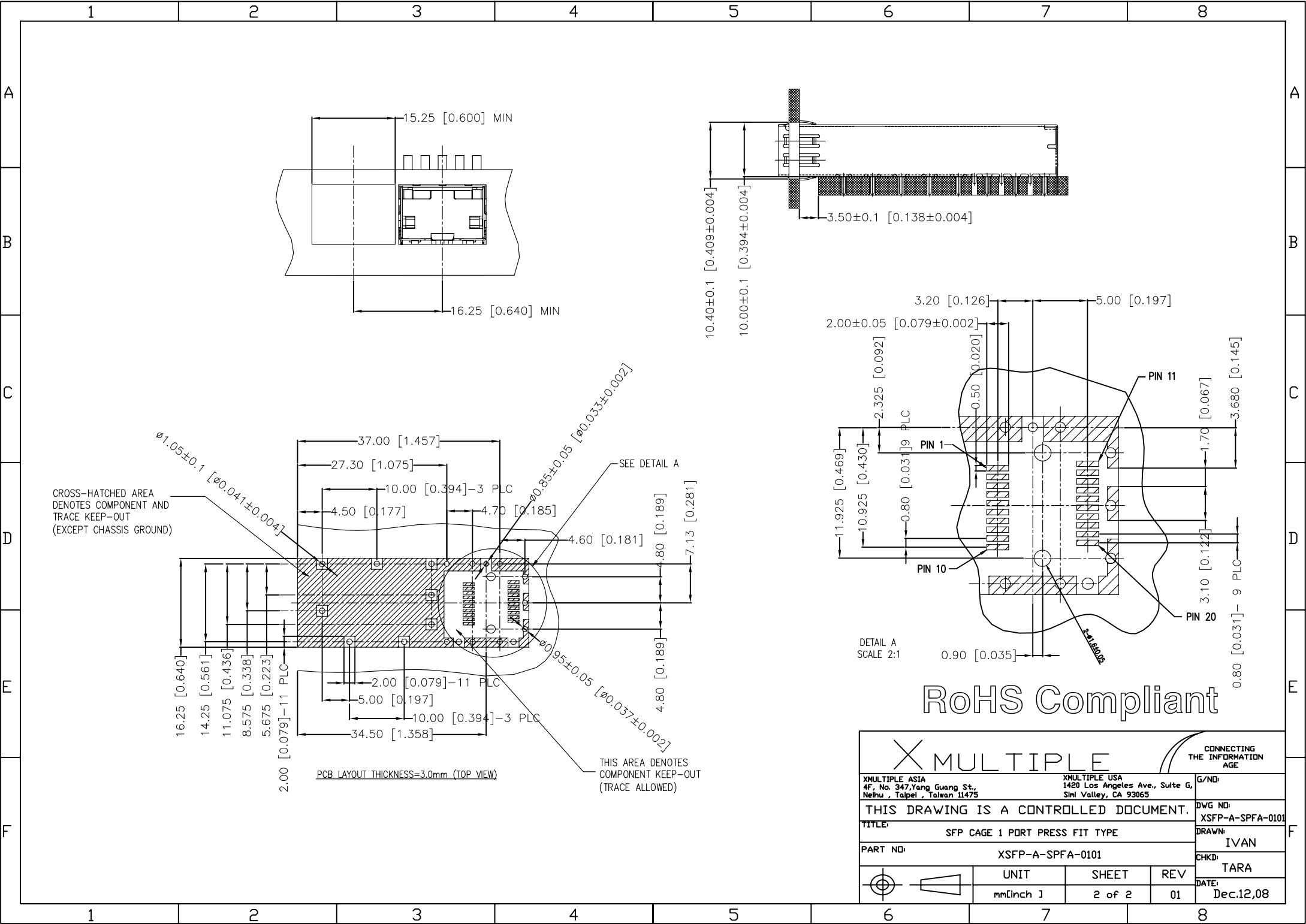




NOTE:

- 1.MATERIAL: COPPER ALLOY,NICKEL PLATED
- 2.PLATING: 100u" Ni FOR ALL
- 3.PACKING: 50PCS/Tray ;500PCS/Carton

RoHS Compliant

		CONNECTING THE INFORMATION AGE		
				XMULTIPLE ASIA 4F, No. 347, Yang Guang St., Neihu, Taipei, Taiwan 11475
THIS DRAWING IS A CONTROLLED DOCUMENT.				DWG NO: XSFP-A-SPFA-0101
TITLE: SFP CAGE 1 PORT PRESS FIT TYPE				DRAWN: IVAN
PART NO: XSFP-A-SPFA-0101				CHKD: TARA
		UNIT mm[inch]	SHEET 1 of 2	REV 01
DATE: Dec.12,08				



X MULTIPLE			CONNECTING THE INFORMATION AGE	
XMULTIPLE ASIA 4F, No. 347, Yang Guang St., Neihu, Taipei, Taiwan 11475		XMULTIPLE USA 1420 Los Angeles Ave., Suite G, Simi Valley, CA 93065		G/NO:
THIS DRAWING IS A CONTROLLED DOCUMENT.				DWG NO: XSFP-A-SPFA-0101
TITLE: SFP CAGE 1 PORT PRESS FIT TYPE				DRAWN: IVAN
PART NO: XSFP-A-SPFA-0101				CHKD: TARA
 		UNIT mm[inch]	SHEET 2 of 2	REV 01
				DATE: Dec.12,08