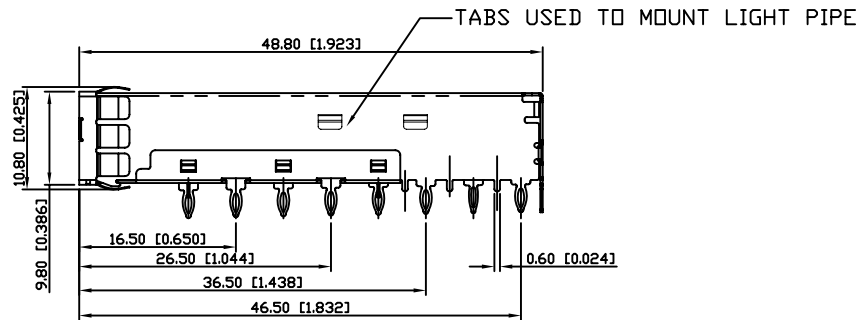
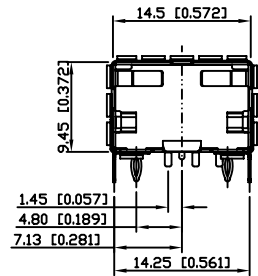
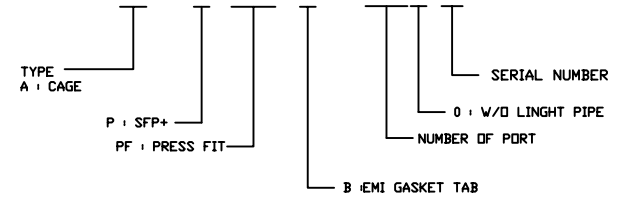


NOTE:

1. SHELL: COPPER ALLOY, NICKEL PLATED
2. SPRING: COPPER ALLOY, NICKEL PLATED
3. PACKING: 50PCS/TRAY, 500PCS/CARTON

XSFP-A-PPFB-0101



RoHS Compliant

		CONNECTING THE INFORMATION AGE	
		XMULTIPLE ASIA 4F, No. 347, Yang Guang St., Neihu, Taipei, Taiwan 11475	
XMULTIPLE USA 1420 Los Angeles Ave., Suite G, Simi Valley, CA 93065		G/NO:	
THIS DRAWING IS A CONTROLLED DOCUMENT.			DWG NO: XSFP-A-PPFB-0101
TITLE: SFP+(PLUS) CAGE : 1 PORT WITH EMI GASKET. PRESS FIT PINS			DRAWN: IVAN
PART NO: XSFP-A-PPFB-0101			CHKD: TARA
		UNIT mm[inch]	SHEET 1 of 2
		REV 01	DATE: Dec.12,08

