

NOTES:

1. MATERIAL:

CONTACTS: COPPER ALLOY,
INSULATOR: LCP,
SHELL: COPPER ALLOY.

2. MECHANICAL CHARACTERISTICS:

TOTAL MATING FORCE: 3.57 KGF. MAX.
TOTAL UNMATING FORCE: 0.71 KGF. MIN.

3. ELECTRICAL CHARACTERISTICS:


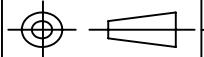
CONTACT CURRENT RATING: 1.5 AMPERES.
DIELECTRIC WITHSTANDING VOLTAGE: AC 100V AT SEA LEVEL.
INSULATION RESISTANCE: 100 MEGOHMS Min.
CONTACT RESISTANCE: 30 MILLIOHMS MAX.
OPERATING TEMPERATURE: 0°C TO +50°C

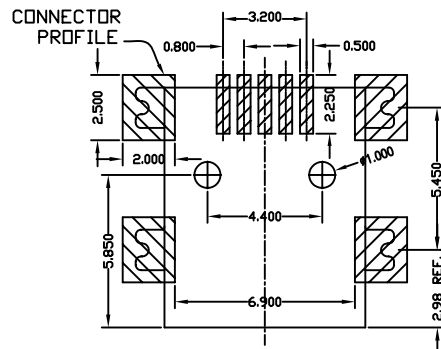
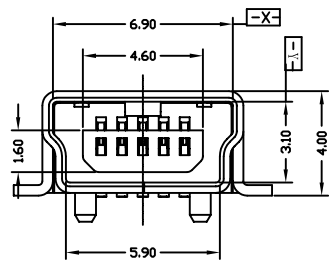
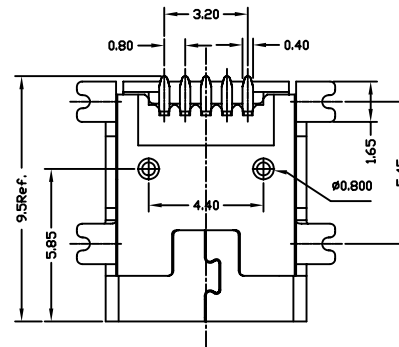
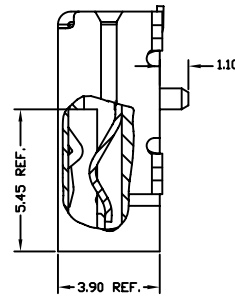
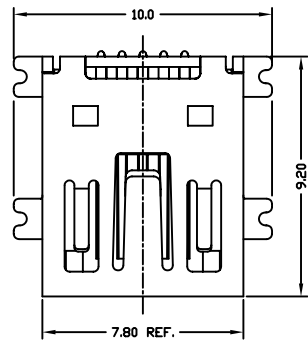
4. UNSPECIFIED TOLERANCE: .XX ±0.25[0.010]
.X ±0.30[0.012]

XUSB-7-5-5-3-1-1-01

7 : MINI USB
5 : MINI USB B TYPE SMT TYPE
PIN No.
SHELL PLATING
3 : ALL NI PLATING
PLASTIC HOUSING COLOR
1 : BLACK
PIN PLATING
1 : GOLD FLASH
RUNNING No.

RoHS Compliant

		THE INFORMATION AGE	
XMULTIPLE ASIA 4F, No. 347, Yang Guang St., Neihu Chiu, Taipei, Taiwan 11475		XMULTIPLE USA 1420 Los Angeles Ave., Suite G, Simi Valley, CA 93065	
THIS DRAWING IS A CONTROLLED DOCUMENT.		DWG NO: XUSB-7-5-5-3-1-1-01	
TITLE: Mini USB B(f) SMT 5 pin		DRAWN: RUNES	
PART NO: XUSB-7-5-5-3-1-1-01		CHKD: JEFF	
		UNIT mm[inch]	SHEET 1 of 1
		REV 01	DATE: Jul.04,06



TOLERANCES: ±0.10
RECOMMEND PCB LAYOUT