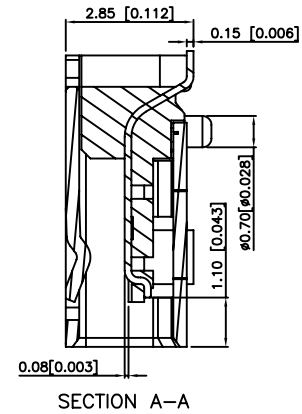
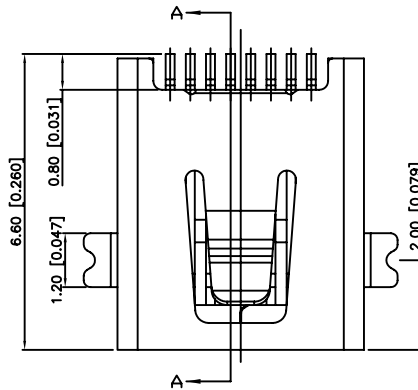
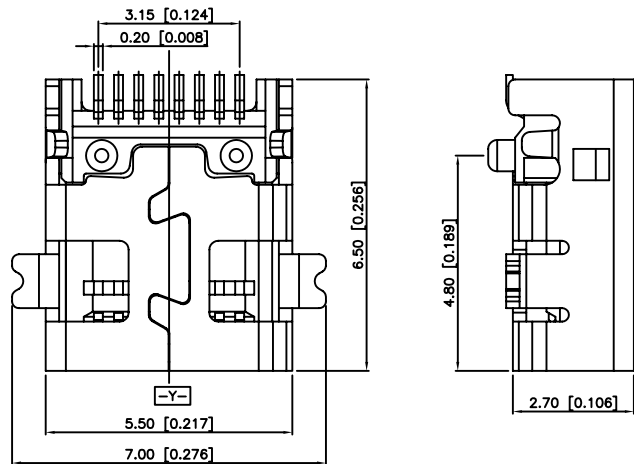


NOTES:

1. MATERIAL:
  - SHELL: BRASS C2680, PLATING 50U"(MIN) NICKEL CAN BE SOLDERED.
  - HOUSING: LCP, (UL 94V-0) BLACK.
  - CONTACT: BRASS C2680.
  - GOLD FLASH PLATED IN CONTACT AREA, TIN PLATED ON SOLDER AREA, OVER NICKEL PLATED (50u"MIN)
3. SPECIFICATION:
  - CURRENT RATING: 1 AMP
  - DIELECTRIC WITHSTANDING VOLTAGE: AC 100V R.M.S.
  - INSULATION RESISTANCE: 100M OHMS MIN AT 500V DC.
  - CONTACT RESISTANCE: 60m OHMS MAX
  - OPERATING TEMPERATURE: -55C TO +105C
4. UNSPECIFIED TOLERANCE: .XX ±0.25[0.010]  
.X ±0.30[0.012]



XUSB-7-2-8-3-1-1-03

7 : MINI USB

2 : SMT TYPE

NUMBER OF PIN

SHELL PLATING

3 : ALL Ni

1 : BLACK

SERIAL NUMBER

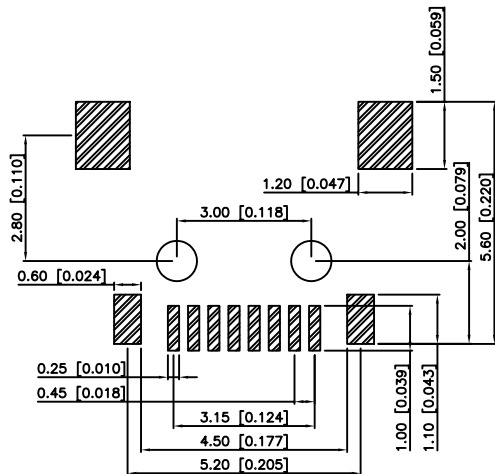
HOUSING COLOR

1 : BLACK

PIN PLATING

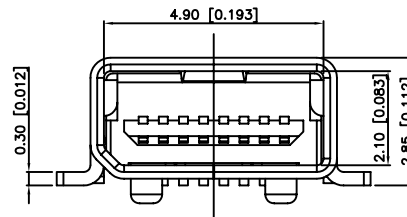
1 : GOLD FLASH

RoHS Compliant



SUGGESTED PCB LAYOUT  
TOP VIEW

DIMENSIONAL TOLERANCE: .XX ±0.08[0.003]



X MULTIPLE		THE INFORMATION AGE	
XMULTIPLE ASIA 4F, No. 347, Yang Guang St., Neihu Chiu, Taipei, Taiwan 11475		XMULTIPLE USA 1420 Los Angeles Ave., Suite G, Simi Valley, CA 93065	
THIS DRAWING IS A CONTROLLED DOCUMENT.		G/NO:	
TITLE: MINI USB 8PIN FEMALE		DWG NO:	
PART NO: XUSB-7-2-8-3-1-1-03		XUSB-7-2-8-3-1-1-03	
DRAWN: AUSTIN		DRAWN:	
CHKD: JEFF		CHKD:	
DATE: Jan.02,07		DATE:	
		UNIT mm[inch]	SHEET 1 of 1
		REV 01	