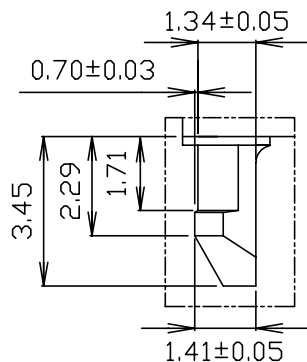
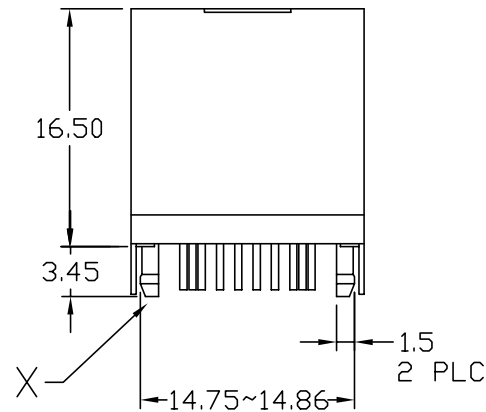
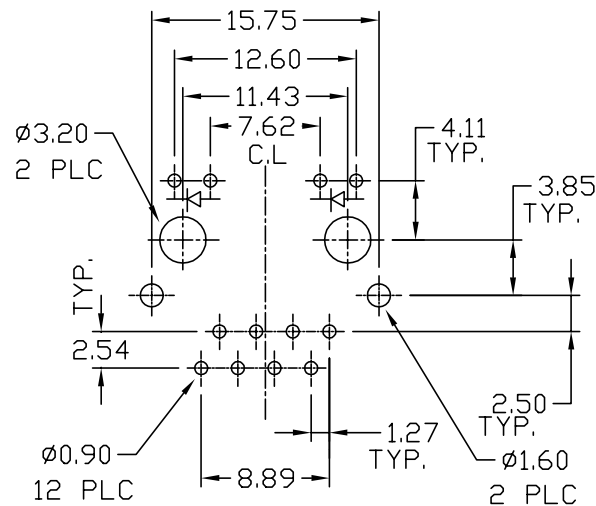


- NOTES:
- MATERIAL:
HOUSING-PBT POLYESTER UL-94V-0
MIXED GLASS FIBER,
STANDARD COLOR-BLACK
CONTACTS-0.35mm THICK PHOS-BRONZE
PLATED WITH 6u" GOLD AND
TIN/LEAD IN SOLDER AREA,
SHIELD-0.25mm THICK COPPER ALLOY,
PLATED WITH NICKEL.
 - ELECTRICAL:
INSULATION RESISTANCE: 500 MEGOHMS MINIMUM
CURRENT RATING: 1.5 AMPS
VOLTAGE RATING: 150 VOLTS AC
LED FAILINGS:
FORWARD DC CURRENT: 2mA
FORWARD VOLTAGE: 1.8 VOLTS TYPICAL
REVERSE VOLTAGE: 5 VOLTS MINIMUM
POWER DISSIPATION: GRN.=24mW;YELL.=36mW
 - CAVITY CONFIRMS TO FCC RULES AND REGULATIONS
PART 68,SUBPART F.
 - UNSPECIFIED TOLERANCE: .XX ±0.25[0.010]
.X ±0.30[0.012]



DETAIL X



SUGGESTED PCB LAYOUT (TOP VIEW) PCB LAYOUT TOLERANCE .XX±0.05[0.002]

	CODE	LED 2 [LEFT]	LED 1 [RIGHT]
	0	BLOCKED	BLOCKED
	1	YELLOW	GREEN
	2	BLOCKED	GREEN
	3	YELLOW	BLOCKED
☆	4	GREEN	YELLOW
	5	GREEN	GREEN
	6	YELLOW	YELLOW
	7	OR/GR	OR/GR
	8	YE/GR	YE/GR
	9	OR/GR	YELLOW

X MULTIPLE

CONNECTING THE INFORMATION AGE

XMULTIPLE ASIA 4F, No. 347, Yang Guang St., Neihu Chiu, Taipei, Taiwan 11475		XMULTIPLE USA 543 Country Club Drive #B 128 Simi Valley, CA 93065		CUSTOMER/NO:
THIS DRAWING IS A CONTROLLED DOCUMENT.				DWG NO: XRJV-S-01-8-8-4-904
TITLE: RJ45Connectos ,W/LED,8P,8C,Shielded,Vertical Mount,Thru-Hole				DRAWN: TARA
PART NO: XRJV-S-01-8-8-4-904				CHKD: Futien
		DIMENSIONS	SHEET	REV
		mm[inch]	1 of 1	01
				DATE: 21/06/04