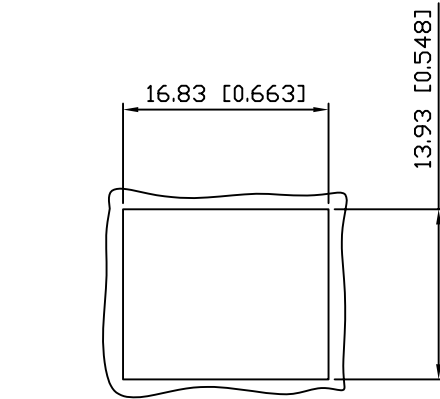
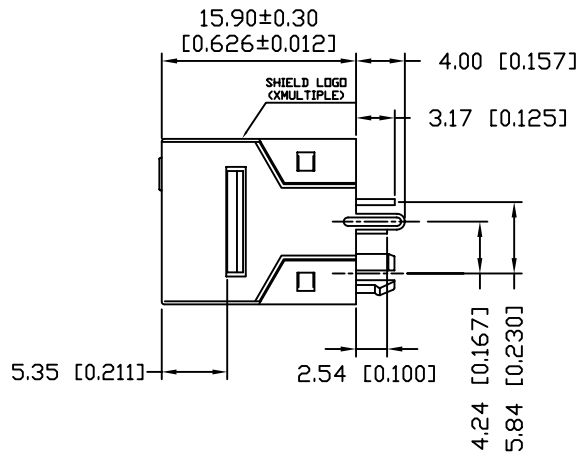
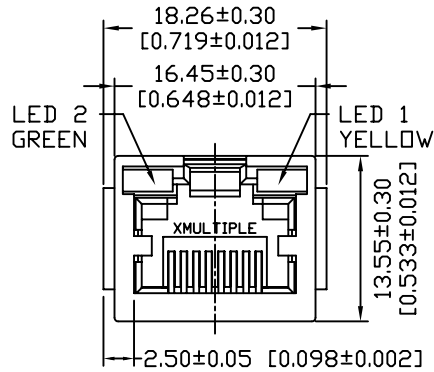
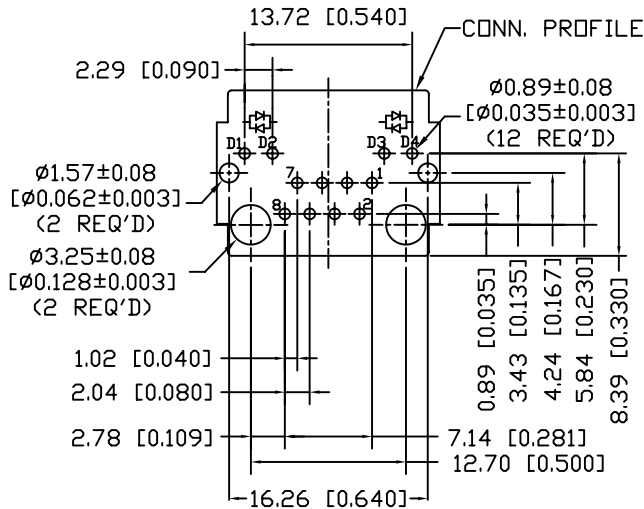


1. MECHANICAL DIMENSIONS :

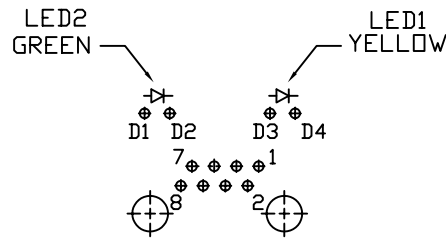


△ RECOMMENDED PANEL CUTOUT DIMENSION



△ SUGGESTED PCB LAYOUT (TOP VIEW)

△ DIMENSIONAL TOLERANCE: .XX ±0.08[0.003]



LED SCHEMATIC

XRJV-S-01-8-8-4

PRODUCT SERIES
V - VERTICAL MOUNT

SHIELDED TYPE
S : SHIELDED

NO. OF PORTS

LED COLOR OPTION

NO. OF POSITION

△ RoHS Compliant

NOTES:

1. MATERIALS:

HOUSING: PBT POLYESTER UL94V-0 MIXED GLASS FIBER.
CONTACTS: T=0.35 mm PHOSPHOR BORNEZE, 50u" NICKEL
UNDERPLATE ON ALL AREA, 100u" TIN ON TERMINATION
END, 15u" GOLD ON CONTACT AREA.

SHIELDED: T=0.25 mm COPPER ZINC ALLOY PLATED WITH NICKEL.

△ 2. OPERATING TEMPERATURE: -40°C~+85°C

3. JACK CAVITY CONFORMS TO FCC RULES AND REGULATIONS
PART 68, SUBPART F

4. UNSPECIFIED TOLERANCE: .XX ±0.25[0.010]
.X ±0.30[0.012]

X MULTIPLE

CONNECTING THE INFORMATION AGE

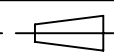
XMULTIPLE ASIA
4F, No. 347, Yang Guang St.,
Neihu Chiu, Taipei, Taiwan 11475

XMULTIPLE USA
1420 Los Angeles Ave., Suite G,
Simi Valley, CA 93065

THIS DRAWING IS A CONTROLLED DOCUMENT.

TITLE: RJ45 Jack, W/LED, 8P,8C, Shielded, Vertical Mount, Thru-Hole

PART NO: XRJV-S-01-8-8-4



UNIT
mm[Inch]

SHEET
1 of 2

REV
C

G/NO:

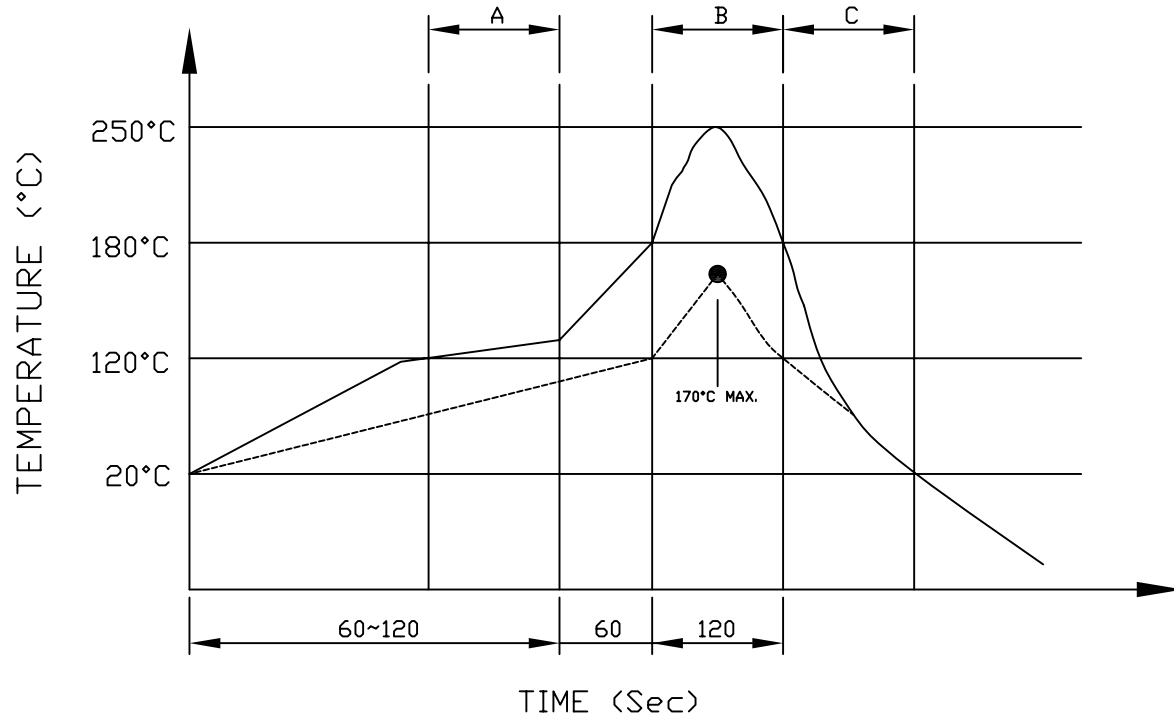
DWG NO:
XRJV-S-01-8-8-1-4

DRAWN:
RUNES

CHKD:
JEFF

DATE:
Dec.06,06

△ 2. PROFILE OF WAVE SOLDER :



—— PIN TEMPERATURE
 - - - - - COMPONENT TEMPERATURE

A. Preheating B. Soldering C. Gradual Cooling

SUGGESTED WAVE SOLDER CURVE
 (1) TIP temperature : 250±10°C
 (2) TIP temperature time : 5sec max
 * The melting point of Tin: 183°C

△ RoHS Compliant

| | | | |
|---|--|--|--------------------|
| | | CONNECTING THE INFORMATION AGE | |
| X MULTIPLE ASIA 4F, No. 347, Yang Guang St., Neihu Chiu, Taipei, Taiwan 11475 | | X MULTIPLE USA 1420 Los Angeles Ave., Suite G, Simi Valley, CA 93065 | |
| THIS DRAWING IS A CONTROLLED DOCUMENT. | | G/NO: | |
| TITLE: RJ45 Jack, W/LED, 8P,8C, Shielded, Vertical Mount, Thru-Hole | | DWG NO: XRJV-S-01-8-8-1-4 | |
| PART NO: XRJV-S-01-8-8-4 | | DRAWN: RUNES | |
| | | UNIT mm[Inch] | SHEET 2 of 2 |
| | | REV C | DATE: Dec.06,06 |