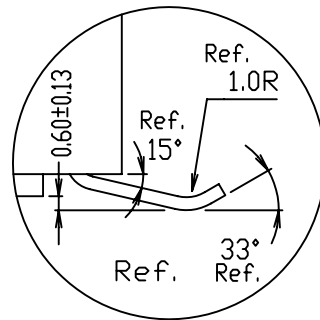
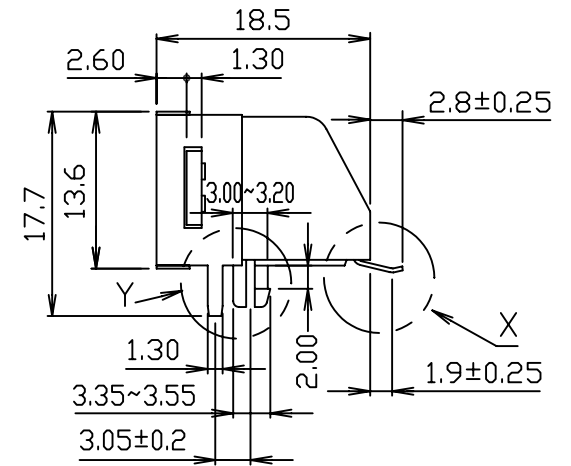
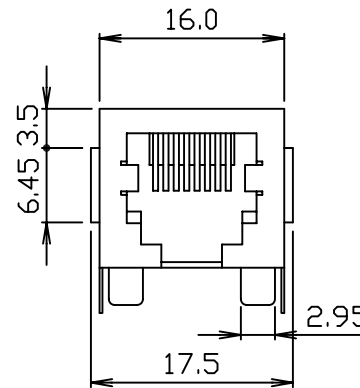


DETAIL Y

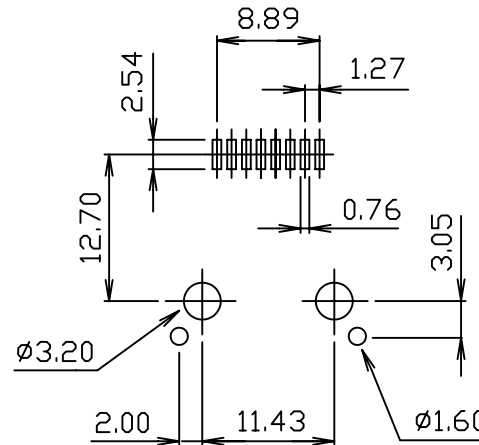


DETAIL X

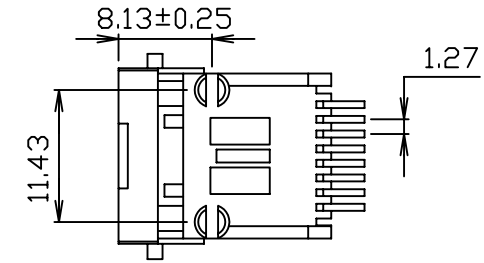


NOTES:

- MATERIALS: HOUSING-PBT POLYESTER UL94V-0
MIXED GLASS FIBER,
STANDARD COLOR-BLACK
CONTACTS-0.35mm THICK PHOS-BRONZE
PLATED WITH 6u" GOLD AND
TIN-LEAD IN SOLDER AREA.
SHIELD-0.25mm THICK COPPER ALLOY,
PLATED WITH NI.
- CAVITY CONFIRMS TO FCC RULES AND REGULATIONS
PART 68,SUBPART F.
- UNSPECIFIED TOLERANCE: .XX ±0.25[0.010]
.X ±0.30[0.012]



PC Board Layout



XRJS-S-01-A-8-0-902

SERIES NO.

NO. OF PORTS

01 = 1X1
02 = 1X2

SERIAL NUMBER

LED COLOR OPTION

NO. OF CONTACT

NO. OF POSITION

Shielded Plating Type

S	SHIELDED
U	Unshielded

S - [Super Mount Face]

X MULTIPLE

CONNECTING THE INFORMATION AGE

X MULTIPLE ASIA 4F, No. 347, Yang Guang St., Neihu Chiu, Taipei, Taiwan 11475		X MULTIPLE USA 543 Country Club Drive #B 128 Simi Valley, CA 93065		G/ND
THIS DRAWING IS A CONTROLLED DOCUMENT.				DWG NO: XRJS-S-01-A-8-0-902
TITLE: RJ45 Connectors, w/O LED, 10P, 8C, Shielded, SMT TYPE				DRAWN: ANNIE
PART NO: XRJS-S-01-A-8-0-902				CHKD: JEFF
DIMENSIONS mm[inch]		SHEET 1 of 1	REV 02	DATE: 02/12/04