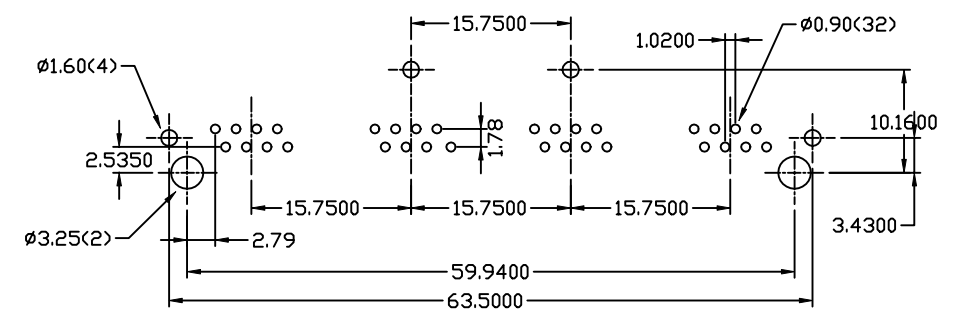
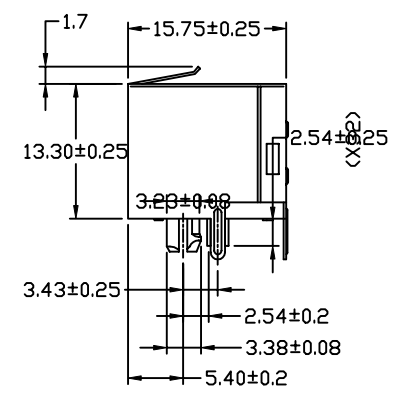
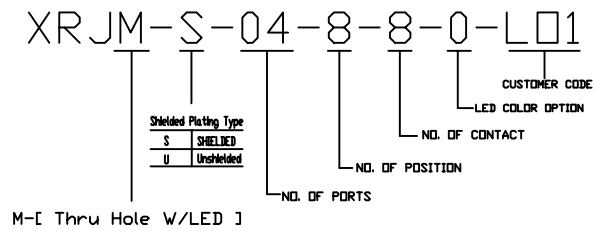
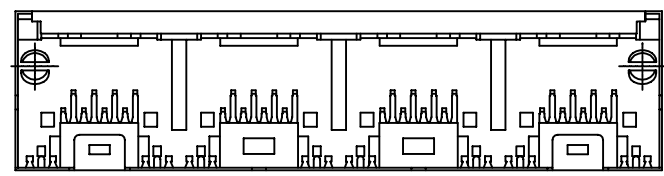
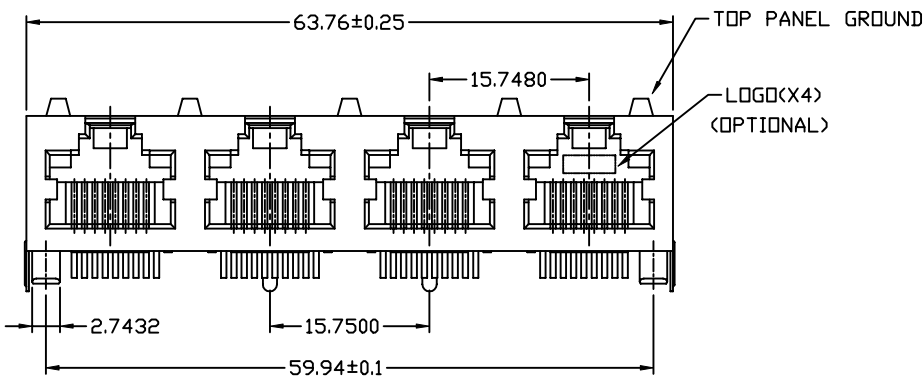
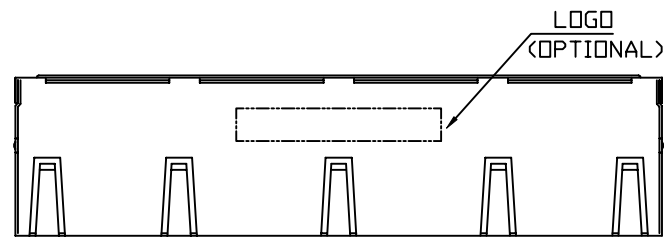


02



PCB LAYOUT (Ref.)

NOTES:

- MATERIALS:
HOUSING-DSM STANYL TE250F6 (NYLON-46)
HEAT DEFLECTION TEMP.290°
BLACK COLOR, UL94V-0
CONTACTS-0.35mm THICK PHOS-BRONZE PLATED
WITH 15u" HARD GOLD AND TIN/LEAD IN
SOLDER AREA.
SHIELD-0.25mm THICK COPPER ALLOY,
PLATED WITH NICKEL.
- CAVITY CONFIRMS TO FCC RULES AND REGULATIONS
PART 68,SUBPART F.
- UNSPECIFIED TOLERANCE: .XX ±0.25[0.010]
.X ±0.30[0.012]

<h1>X MULTIPLE</h1>		CONNECTING THE INFORMATION AGE	
XMULTIPLE ASIA 3F, No. 60, Juiuen St., Taipei, 104, Taiwan, R.O.C.		XMULTIPLE USA 3555 Old Conejo Road Newbury Park, CA 91320	
THIS DRAWING IS A CONTROLLED DOCUMENT.		CUSTOMER/NO:	
TITLE: RJ45, Connectors, W/O LED,8P,8C, Shielded, Thru-Hole		DWG NO: XRJM-S-04-8-8-0-L01	
PART NO: XRJM-S-04-8-8-0-L01		DRAWN: JEFF	
		CHKD: C. TSAI	
		DATE: 26/11/03'	
DIMENSIONS	SHEET	REV	
mm[inch J	1 of 1	B	