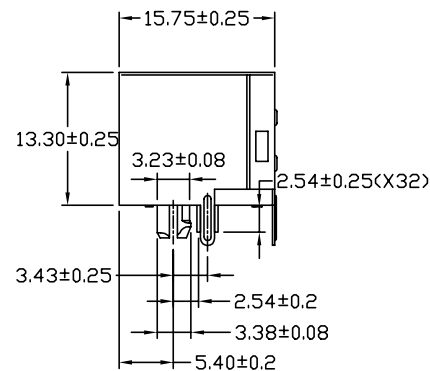


PCB LAYOUT TOLERANCE
SUGGESTED PCB LAYOUT TOLERANCE
.XX±0.05[0.002]



NOTES:

1. MATERIALS:

HOUSING-DSM STANYL TE250F6 (NYLON-46)
HEAT DEFLECTION TEMP.290°
BLACK COLOR, UL94V-0
CONTACTS-0.35mm THICK PHOS-BRONZE PLATED
WITH 15u" HARD GOLD AND TIN/LEAD IN
SOLDER AREA.

SHIELD-0.25mm THICK COPPER ALLOY,
PLATED WITH NICKEL.

2. CAVITY CONFIRMS TO FCC RULES AND REGULATIONS
PART 68,SUBPART F.

3. UNSPECIFIED TOLERANCE: .XX ±0.25[0.010]
.X ±0.30[0.012]

XRJM-S-04-8-8-0-902

Shielded Plating Type	
S	SHIELDED
U	Unshielded

CUSTOMER CODE

LED COLOR OPTION

ND. OF CONTACT

ND. OF POSITION

ND. OF PORTS

M-I Thru Hole W/LED J

X MULTIPLE			CONNECTING THE INFORMATION AGE
XMULTIPLE ASIA 4F, No. 347, Yang Guang St., Neihu Chiu, Taipei, Taiwan 11475		XMULTIPLE USA 543 Country Club Drive #B 128 Simi Valley, CA 93065	
THIS DRAWING IS A CONTROLLED DOCUMENT.			
TITLE: RJ45 Connectors, W/O LED, 8P, 8C, Shielded, Thru-Hole		CUSTOMER/NO: XRJM-S-04-8-8-0-902	
PART NO: XRJM-S-04-8-8-0-902		DRAWN: TARA	
		CHKD: C. TSAI	
DIMENSIONS mm[inch]		SHEET 1 of 1	
		REV 01	
		DATE: 04/12/03'	