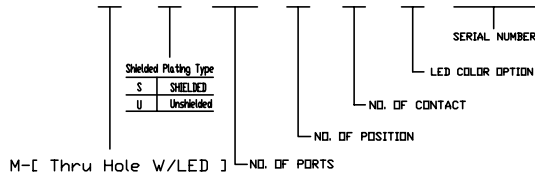
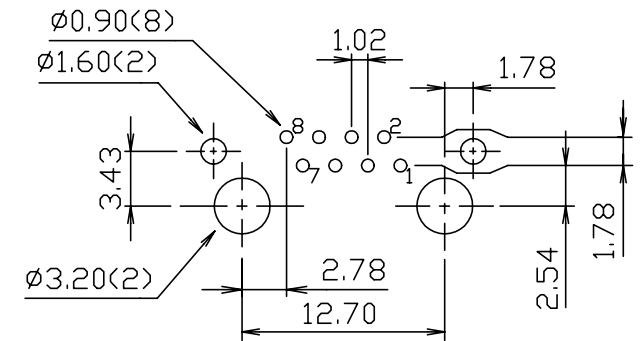
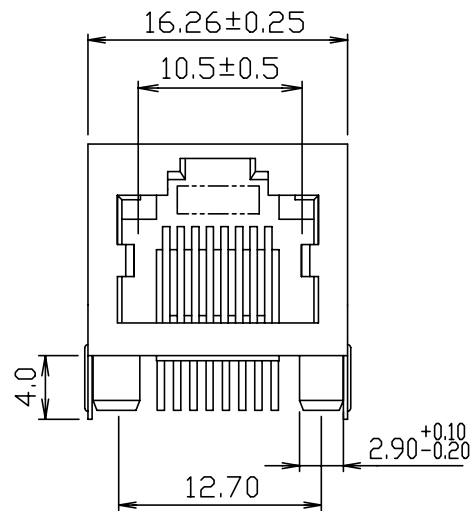
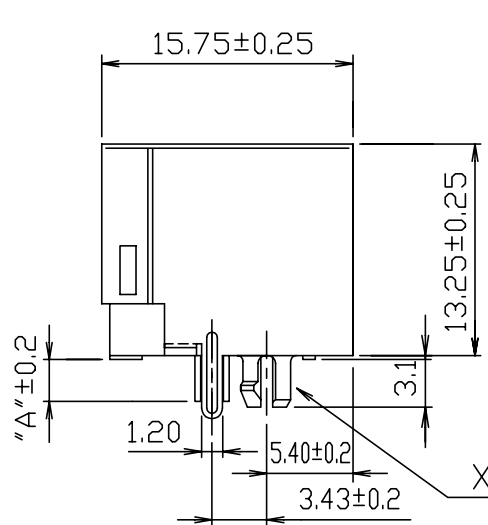


XRJM-S-01-8-8-0-903

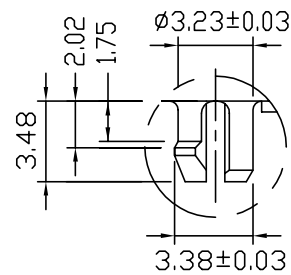
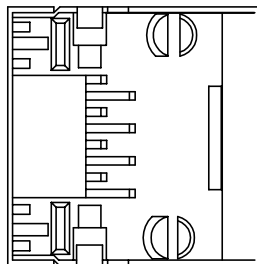


NOTES:

- MATERIALS:  
HOUSING-NYLON ZYTEL FR-50  
HEAT DEFLECTION TEMP.255°  
BLACK COLOR, UL94V-0  
CONTACTS-0.35mm THICK PHOS-BRONZE PLATED  
WITH 15u" HARD GOLD AND TIN/LEAD  
IN SOLDER AREA.  
SHIELD-0.25mm THICK COPPER ALLOY,  
PLATED WITH TIN-LEAD OR NICKEL.
- CAVITY CONFIRMS TO FCC RULES AND REGULATIONS  
PART 68,SUBPART F.
- UNSPECIFIED TOLERANCE: .XX ±0.25[0.010]  
.X ±0.30[0.012]



PCB LAYOUT  
SUGGESTED PCB LAYOUT TOLERANCE  
.XX±0.05[0.002]



DETAIL X

<h1>X MULTIPLE</h1>		CONNECTING THE INFORMATION AGE
XMULTIPLE ASIA 4F, No. 347, Yang Guang St., Neihu Chiu, Taipei, Taiwan 11475		XMULTIPLE USA 543 Country Club Drive #B 128 Simi Valley, CA 93065
THIS DRAWING IS A CONTROLLED DOCUMENT. TITLE: RJ45 Connectors, 8P,8C, Shielded, Thru-Hole.		CUSTOMER/NO: DWG NO: XRJM-S-01-8-8-0-903 DRAWN: TARA CHKD: FUTIEN DATE: 04/12/03'
PART NO: XRJM-S-01-8-8-0-903	DIMENSIONS mm[inch ]	SHEET 1 of 1
	REV 01	