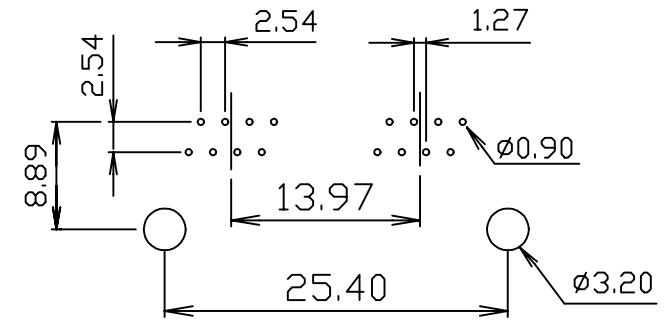
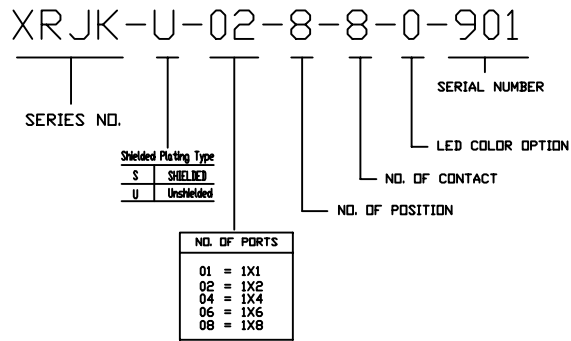
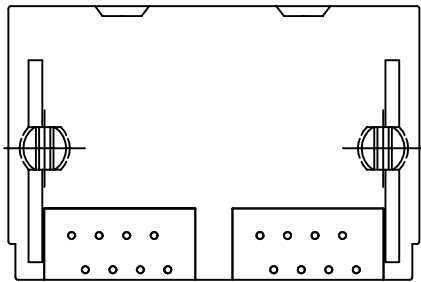


SPLIT-PEGS



PCB Layout

NOTES:

- MATERIAL:  
HOUSING-PBT POLYESTER UL94V-0  
MIXED GLASS FIBER.  
STANDARD COLOR-BLACK  
CONTACTS-0.45mm DIAMETER PHOS-BRONZE  
PLATED WITH 50u" HARD GOLD.
- CAVITY CONFIRMS TO FCC RULES AND REGULATIONS  
PART 68,SUBPART F.
- UNSPECIFIED TOLERANCE: .XX ±0.13[0.005]  
.X ±0.25[0.01]

<h1>X MULTIPLE</h1>		CONNECTING THE INFORMATION AGE	
XMULTIPLE ASIA 3F, No. 60,Julien St., Taipei, 104, Taiwan, R.O.C.		XMULTIPLE USA 3555 Old Conejo Road Newbury Park, CA 91320	
THIS DRAWING IS A CONTROLLED DOCUMENT.		G/NO:	9670-8813-2
TITLE: RJ45, Connectors, W/O LED,8P,8C, Unshielded, Thru-Hole		DWG NO:	XRJK-U-02-8-8-0-901
PART NO: XRJK-U-02-8-8-0-901		DRAWN:	JEFF
DIMENSIONS mm[inch]		CHKD:	Futien
		DATE:	04/07/03
mm[inch]		SHEET	1 of 1
REV		01	