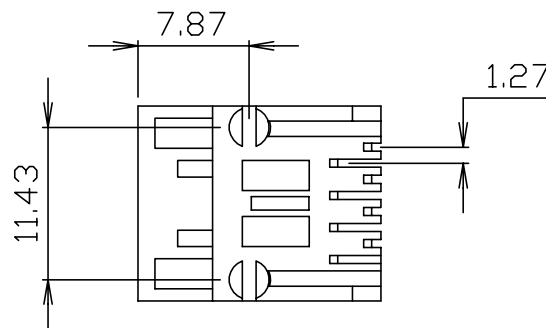


SUGGESTED PCB LAYOUT PCB LAYOUT TOLERANCE
TOP VIEW .XX±0.05[0.002]



	CODE	LED 2 [LEFT]	LED 1 [RIGHT]
☆	0	BLOCKED	BLOCKED
	1	YELLOW	GREEN
	2	BLOCKED	GREEN
	3	YELLOW	BLOCKED
	4	GREEN	YELLOW
	5	GREEN	GREEN
	6	YELLOW	YELLOW
	7	OR/GR	OR/GR
	8	YE/GR	YE/GR
	9	OR/GR	YELLOW

NOTES:

- MATERIAL: HOUSING-PBT POLYESTER UL-94V-0
MIXED GLASS FIBER.
STANDARD COLOR-BLACK
CONTACTS-0.35mm THICK PHOS-BRONZE
PLATED WITH 6u" GOLD AND
TIN/LEAD IN SOLDER AREA.
- CAVITY CONFIRMS TO FCC RULES AND REGULATIONS
PART 68,SUBPART F.
- UNSPECIFIED TOLERANCE: .XX ±0.25[0.010]
.X ±0.30[0.012]

X MULTIPLE

CONNECTING THE INFORMATION AGE

XMULTIPLE ASIA 4F, No. 347, Yang Guang St., Neihu Chiu, Taipei, Taiwan 11475		XMULTIPLE USA 543 Country Club Drive #B 128 Simi Valley, CA 93065		CUSTOMER/NO: 9631-8814	
THIS DRAWING IS A CONTROLLED DOCUMENT.					
TITLE: RJ45 Connectors, w/O LED,8P,8C, Unshielded, Thru-Hole				DVG NO: XRJK-U-01-8-8-0-919	
PART NO: XRJK-U-01-8-8-0-919				DRAWN: TARA	
				CHKD: C. TSAI	
		DIMENSIONS mm[inch]		SHEET 1 of 1	
		REV 01		DATE: 12/08/04	