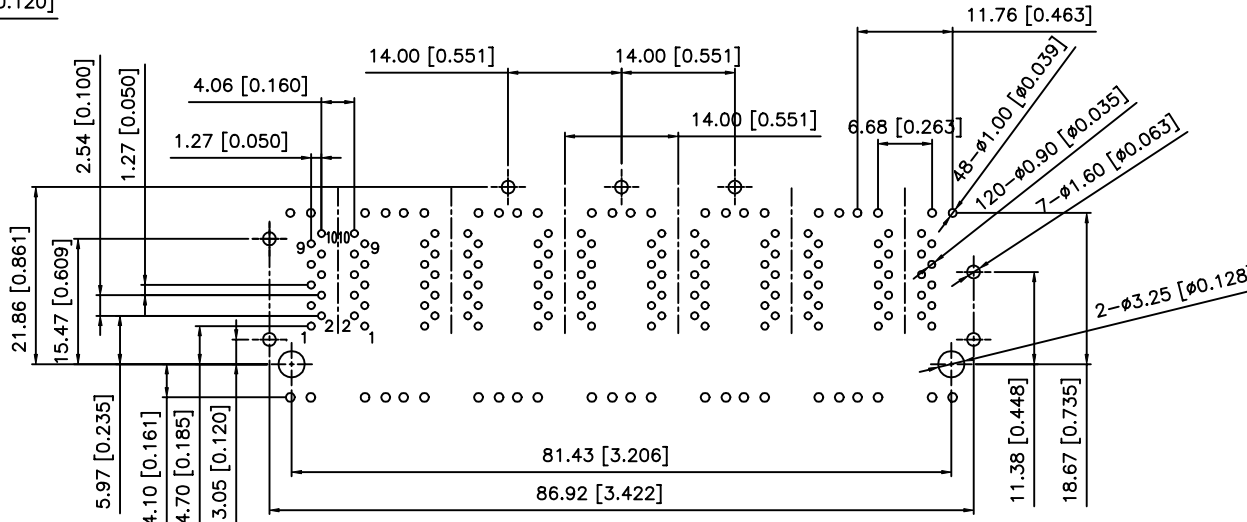
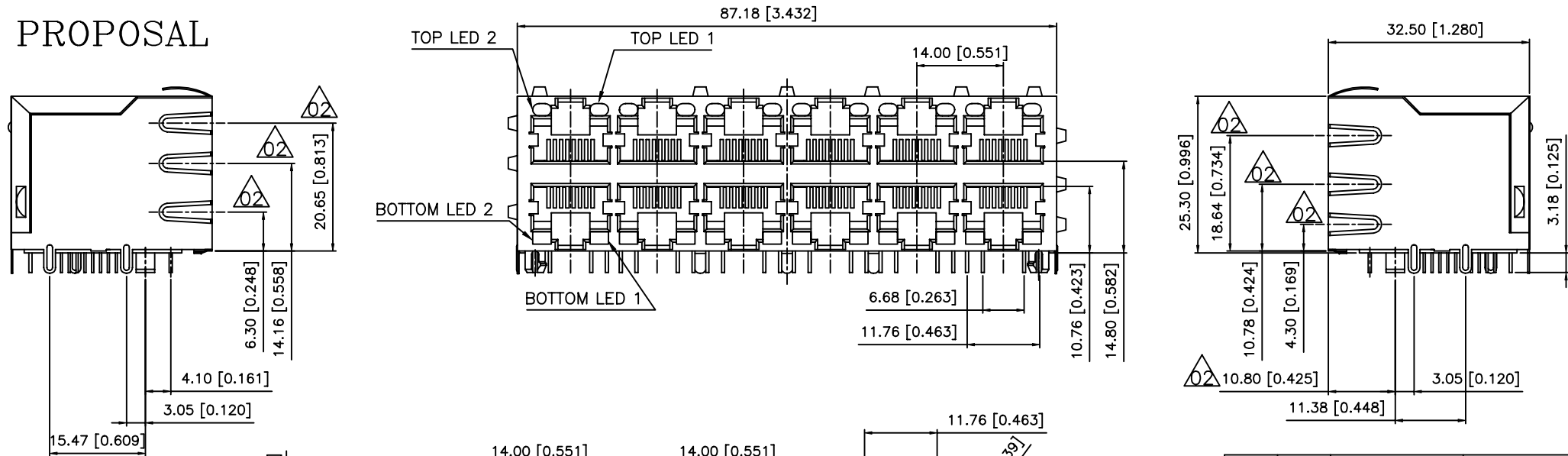


PROPOSAL



PCB LAYOUT

Ref.

☆	CODE	LED 2 [LEFT]	LED 1 [RIGHT]
	0	BLOCKED	BLOCKED
	1	YELLOW	GREEN
	2	BLOCKED	GREEN
	3	YELLOW	BLOCKED
	4	GREEN	YELLOW
	5	GREEN	GREEN
	6	YELLOW	YELLOW
	7	OR/GR	OR/GR
	8	YE/GR	YE/GR
	9	OR/GR	YELLOW

NOTES:

1. MATERIAL:

HOUSING—DSM STANYL TE250F6 (NYLON—46)
 HEAT DEFLECTION TEMP.290°
 BLACK COLOR, UL94V—0
 CONTACTS—0.35mm THICK PHOS—BRONZE PLATED
 WITH 30u” HARD GOLD AND TIN/LEAD IN
 SOLDER AREA.
 SHIELD—0.20mm THICK COPPER ALLOY,
 PLATED WITH 50u” Ni
 (50% SHINE SOLVENT)

2. ELECTRICAL:

CONTACT RESISTANCE: 20 MILLIOHMS MAXIMUM
 INSULATION RESISTANCE: 500 MEGOHMS MINIMUM
 CURRENT RATING: 1.5 AMPS
 VOLTAGE RATING: 150 VOLTS AC

**3. CAVITY CONFIRMS TO FCC RULES AND REGULATIONS
 PART 68,SUBPART F.**

**4. UNSPECIFIED TOLERANCE: .XX ±0.25[0.010]
 .X ±0.30[0.012]**

CONNECTING THE INFORMATION AGE

XMULTIPLE

XMULTIPLE ASIA 3F, No. 80,Julien St., Taipei, 104, Taiwan, R.O.C.		XMULTIPLE USA 3555 Old Conejo Road Newbury Park, CA 91320		CUSTOMER/NO:
THIS DRAWING IS A CONTROLLED DOCUMENT.				
TITLE: Stacked RJ45, W/LED, with 10/100/1000 Mbps Filter				
8P,10C, Shielded, Thru Hole.				
PART NO: XRJH-12-26-8-A-X-XXX				
	DIMENSIONS	SHEET	REV	DWG NO: XRJH-12-26-8-A-X-XXX DRAWN: F.T CHEN CHKD: C. TSAI DATE: 03/07/03”
	mm[inch]	1 of 1	02	