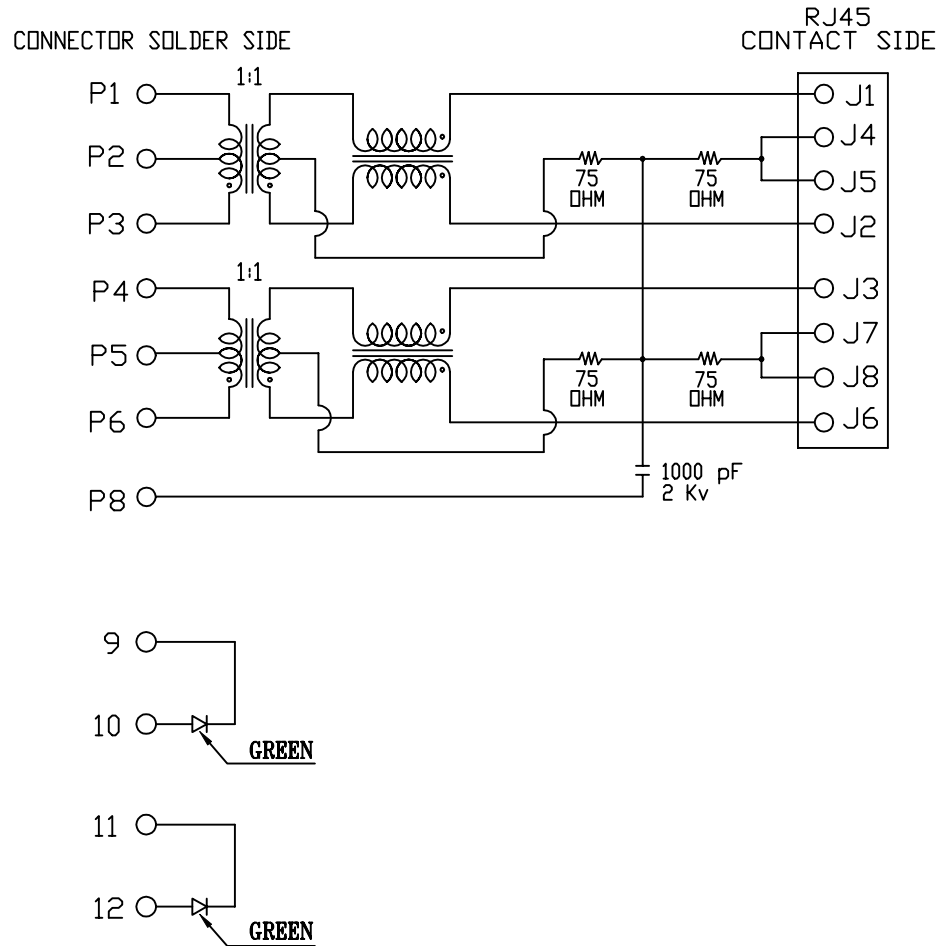




## 2. SCHEMATIC:



NOTE: CONNECT CHS GND TO PCB GROUND.

## 3. ELECTRICAL CHARACTERISTICS :

TEST NOTES:(25±5°C)

- 1.TR:(100KHz,0.1V);  
 PINS:(1-3):(J1-J2)=1:1±3%  
 PINS:(4-6):(J3-J6)=1:1±3%
- 2.LX:(100KHz,100mV,8mA, DC Bias)  
 PINS: (1,3),(4,6)=350uH MINIMUM
- 3.DCR:  
 PINS:(1-3),(J3-J6),(J1-J2)= 1.0 OHMS MAXIMUM  
 PINS:(4-6)=1.2 OHMS MAXIMUM
- 4.HIPOT:  
 PINS(1,2,3)TO(J1,J2)=1500VAC FOR 60 SECONDS  
 PINS(4,5,6)TO(J3,J6)=1500VAC FOR 60 SECONDS
- 5.CAPACITOR (1KHz,1V) :  
 SHIELD TO (J1-J8)=1300pF MAXIMUM AND 700pF MINIMUM
6. INSERTION LOSS:  
 -1.0dB MAXIMUM AT 0.1MHz TO 100MHz;
7. RETURN LOSS:  
 -20dB MINIMUM AT 1MHz TO 30MHz;  
 -15dB MINIMUM AT 30MHz TO 60MHz  
 -10dB MINIMUM AT 60MHz TO 100MHz
8. CROSS TALK:  
 -30dB MINIMUM AT 1MHz TO 100MHz
9. COMMON TO COMMON MODE REJECTION:  
 -30dB MINIMUM AT 1MHz TO 100MHz

<b>X</b> MULTIPLE		CONNECTING THE INFORMATION AGE	
XMULTIPLE ASIA 4F, No. 347, Tong Guang St., Neihu City, Taipei, Taiwan 11475.		XMULTIPLE USA 41 Golden Glen, Simi Valley , CA 93065.	
THIS DRAWING IS A CONTROLLED DOCUMENT.			
TITLE: RJ45, w/LED, with 10/100 Mbps Filter 8P,8C, Shielded, Thru Hole.		G/NO: DWG NO: XRJH-11-04-8-8-5-901	
PART NO: XRJH-11-04-8-8-5-901		DRAWN: F.T CHEN	
		DIMENSIONS	REV
		mm[inch]	01
		SHEET	DATE:
		2 of 2	27/06/03*