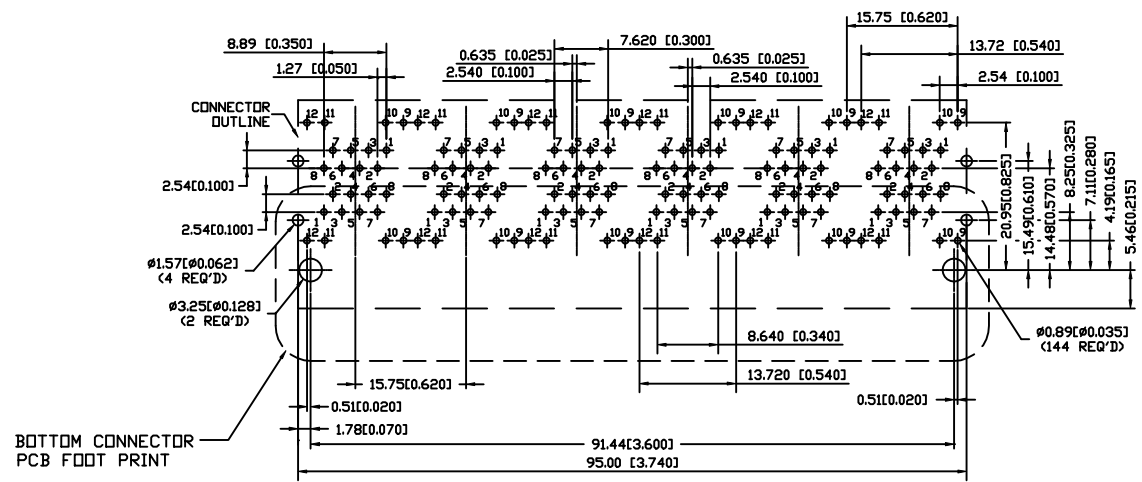
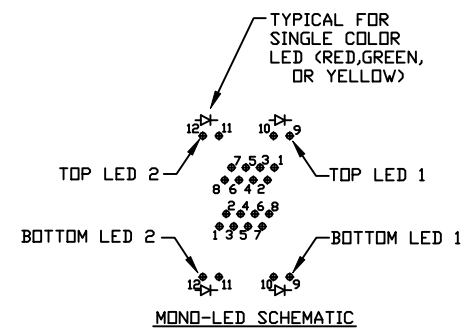
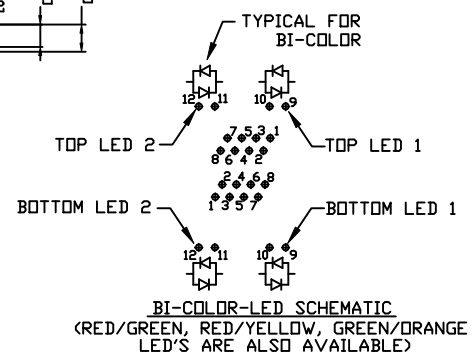
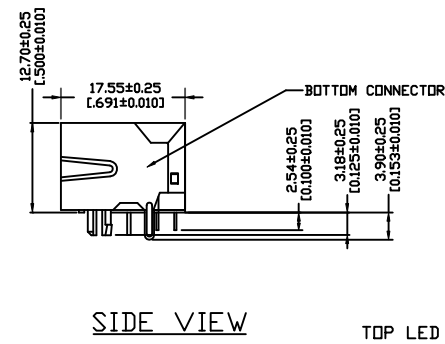
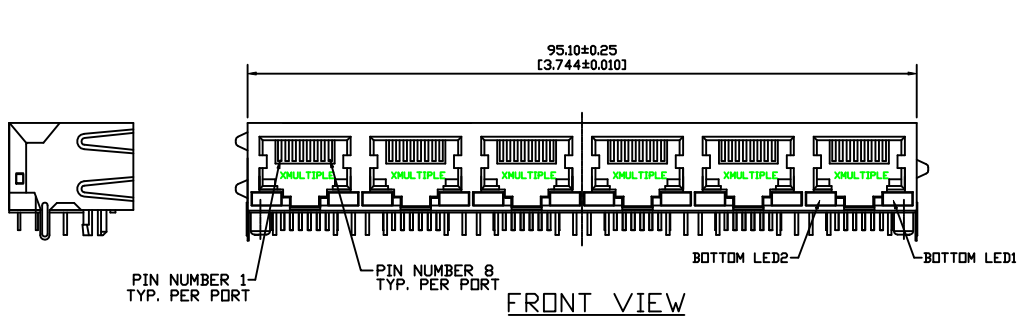


REVISIONS					
ECO	ZONE	REV	DESCRIPTION	DATE	APPROVED
		A	INITIAL RELEASE	07/31/01	Chen



1. MATERIALS:  
 HOUSING: HIGH TEMP. THERMOPLASTIC, BLACK, UL 94V-0  
 CONTACTS: 0.014 INCHES (0.35 MILLIMETERS) THICK PHOSPHOR BRONZE PLATED WITH 150 MICROINCHES (3.81 MICROMETERS) MINIMUM THICK TIN LEAD IN SOLDER AREA. 15 MICROINCHES (0.38 MICROMETERS) MINIMUM GOLD IN LOCALIZED PLATE AREA. ENTIRE CONTACTS PLATED WITH 50 MICROINCHES (1.27 MICROMETERS) MINIMUM THICK NICKEL. SHIELDED: 0.0098 INCHES (0.25 MILLIMETERS) THICK COPPER ZINC ALLOY PLATED WITH 30 MICROINCHES (0.762 MICROMETERS) MINIMUM THICK NICKEL.
2. JACK CAVITY CONFORMS TO FCC RULES AND REGULATIONS PART 68, SUBPART F
3. PART NUMBER: XRJD-S-26-8-8-X  
 REFER TO LED OPTIONS TABLE FOR ORDERING CODES

NOTES: UNLESS OTHERWISE SPECIFIED  
 UNSPECIFIED TOLERANCE: .XX±0.010[0.25]  
 .X±0.006[0.15]

<b>XMULTIPLE</b>		CONNECTING THE INFORMATION AGE
XMULTIPLE ASIA 11F-1, No. 10, Pe-Hsing N. Road Taipei, Taiwan, R.O.C.	XMULTIPLE USA 2808 Old County Road Newbury Park, CA 91380	SNO: DWG NO: PDS24-XRJD21 DRAWN: E.KOLLAR CDS: C. TSAI DATE: 10/18/02
THIS DRAWING IS A CONTROLLED DOCUMENT.		
TITLE: Stacked RJ45, Connectors, W/LED, BP, BC, Shielded, Thru Hole, Bottom Piece		
PART NO: XRJDB-S-26-8-8-X		
	DIMENSIONS [mm]inch	SHEET 1 of 1
	REV J1	DATE 10/18/02