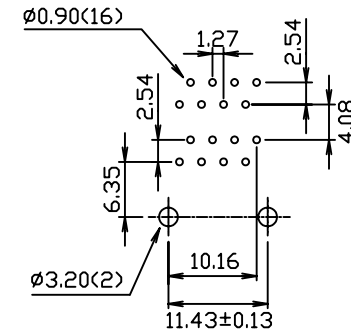


**DETAIL Y**



**PCB LAYOUT**

1. MATERIAL:  
HOUSING-PBT POLYESTER UL-94V-0  
MIXED GLASS FIBER,  
STANDARD COLOR-BLACK  
CONTACTS-0.35mm THICK PHOS-BRONZE  
PLATED WITH 6u" GOLD AND  
TIN/LEAD IN SOLDER AREA.
2. CAVITY CONFIRMS TO FCC RULES AND REGULATIONS  
PART 68,SUBPART F.
3. UNSPECIFIED TOLERANCE: .XX ±0.25[0.010]  
.X ±0.30[0.012]

<b>X MULTIPLE</b>		CONNECTING THE INFORMATION AGE	
XMULTIPLE ASIA 4F, No. 347, Yang Guang St., Neihu Chiu, Taipei, Taiwan 11475		XMULTIPLE USA 543 Country Club Drive #B 128 Simi Valley, CA 93065	
THIS DRAWING IS A CONTROLLED DOCUMENT.		CUSTOMER/NO:	
TITLE: Stacked RJ45, Connectors, 8P, 8C, shielded, Thru Hole, 2 Piece Structure		DWG NO: XRJD-U-21-8-8-0-901	
PART NO: XRJD-U-21-8-8-0-901		DRAWN: JEFF	
		CHKD: Futien	
		DATE: 05/01/05	
DIMENSIONS		SHEET	REV
mm[inch ]		1 of 1	01