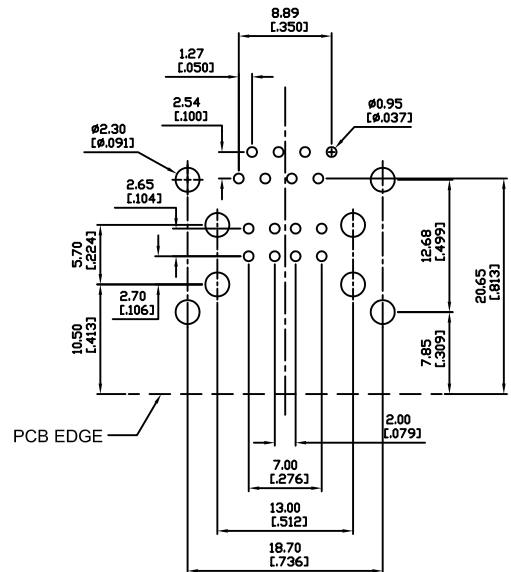
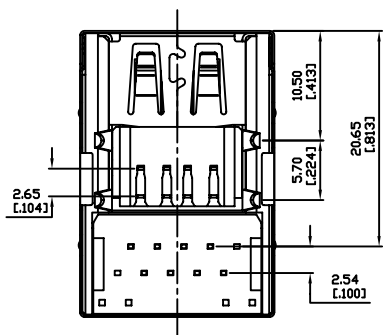


- NOTES:
- RJ45 MECHCNICAL:
 PLASTIC HOUSING: PBT WITH GLASS FIBER UL94V-0
 CONTACT: PHOSPHOR BRONZE PLATED WITH SELECTIVE GOLD AND TIN IN SOLDER AREA.
 SHIELD : SUS
 SHIELDED COVER : SUS , NICKEL PLATING.
 - ELECTRICAL CHARACTERISTICS :
 INSULATION RESISTANCE : 500MΩ MIN.
 CONTACT RESISTANCE : 50MΩ MAX.
 WITHSTAND VOLTAGE : 500 VAC 1 MINUTE.
 CURRENT RATING : 1.5A
 - UNSPECIFIED TOLERANCE: .XX ±0.25 [0.010]
 .X ±0.30 [0.012]



SUGGESTED PCB LAYOUT
TOP VIEW

XRJB-S-0-88-0-A7-701

XRJB SERIES 88: 8P8C SERIAL NUMBER
 S : SHIELDED LED COLOR OPTION
 0: W/O FILTER

RJ45 OVER USB A TYPE, G7 SERIES

RoHS Compliant

X MULTIPLE		THE INFORMATION AGE	
XMULTIPLE ASIA 4F, No. 347, Yang Guang St., Neihu Chiu, Taipei, Taiwan 11475		XMULTIPLE USA 1420 Los Angeles Ave., Suite G, Simi Valley, CA 93065	
THIS DRAWING IS A CONTROLLED DOCUMENT.		G/NO:	
TITLE: RJ45+USB A Type, W/O LED, 8P,8C, Shielded,Thru-Hole		DWG NO: XRJB-S-0-88-A7-701	
PART NO: XRJB-S-0-88-A7-701		DRAWN: RUNES	
		UNIT: mm[inch]	REV: 01
		SHEET: 1 of 1	DATE: Sep.08,06
		CHKD: JEFF	