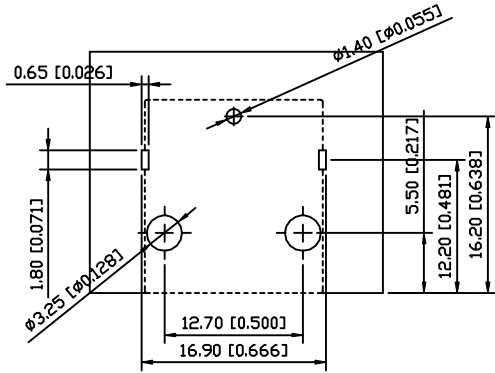
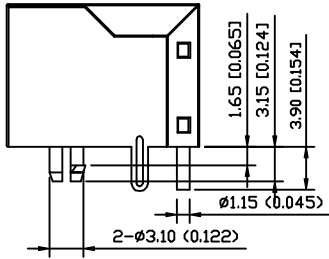
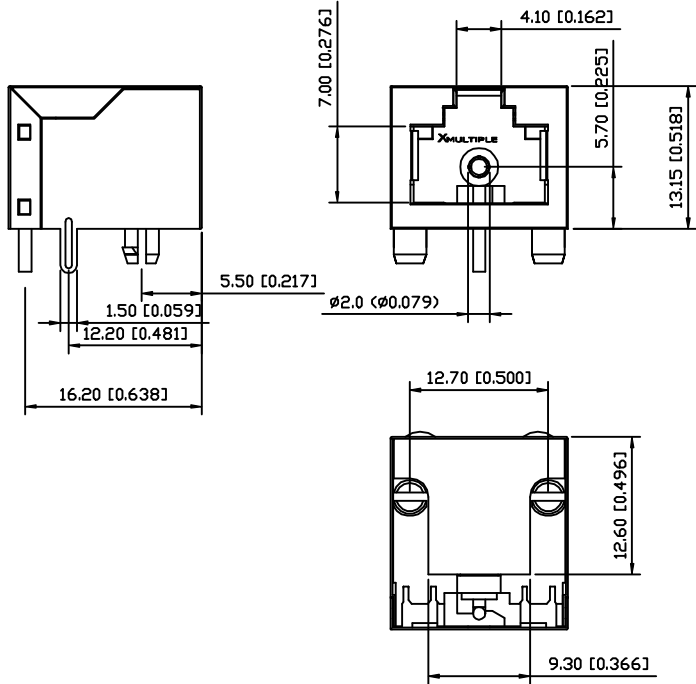
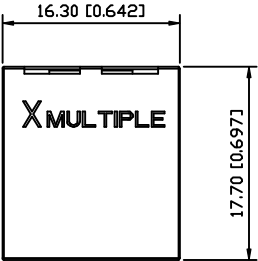


REVISIONS					
ECO	ZONE	REV	DESCRIPTION	DATE	APPROVED
		B	REVISED RELEASE	08/14/01	H.S. Liu



SUGGESTED PCB LAYOUT
(COMPONENT SIDE)
PCB LAYOUT
TOLERANCE
.XX±0.05[0.002]

1. MATERIALS:
HOUSING: HIGH TEMP. THERMOPLASTIC, BLACK, UL 94V-0
CONTACTS:
FRONT CONTACTS DIAMETER ϕ 0.078 INCHS (2.0 MILLIMETERS) THICK PHOSPHOR BRONZE PLATED WITH 15 MICROINCHES (0.38 MICROMETERS) MINIMUM HARD GOLD
BACK CONTACTS DIAMETER ϕ 0.047 INCHS (1.20 MILLIMETERS) THICK PHOSPHOR BRONZE PLATED WITH 150 MICROINCHES (3.81 MICROMETERS) MINIMUM THICK TIN
SHIELD 0.007 INCHES (0.20 MILLIMETERS) THICK COPPER ZINC ALLOY PLATED WITH 30 MICROINCHES (0.762 MICROMETERS) MINIMUM THICK NICKEL
2. JACK CAVITY CONFORMS TO FCC RULES AND REGULATIONS PART 68, SUBPART F

NOTES: UNLESS OTHERWISE SPECIFIED
UNSPECIFIED TOLERANCE: .XX \square 0.25[0.010]
.XX \square 0.30[0.012]

X MULTIPLE		CONNECTING THE INFORMATION AGE
X MULTIPLE ASIA 2/F, No. 40, Juihsun St. Tulip, Taiwan 10488, R.O.C.	X MULTIPLE USA 3045 Old Country Road Newbury Park, CA 91380	DWG NO: RIAX-5100
THIS DRAWING IS A CONTROLLED DOCUMENT.		DRAWN: Y. Chen
TITLE: XRJAX PC BOARD CONNECTOR		CHKD: E. KOLLAR
PART NO: XRJAX-5100	DIMENSIONS mm	SHEET 1 of 1
REV B	DATE 9/10/02	