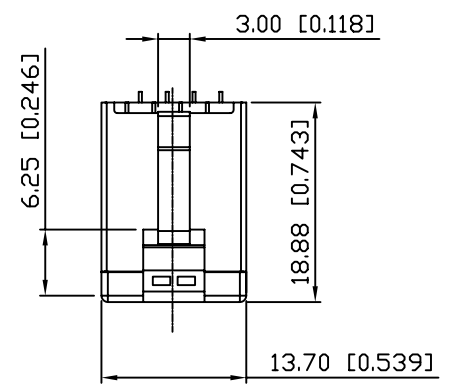
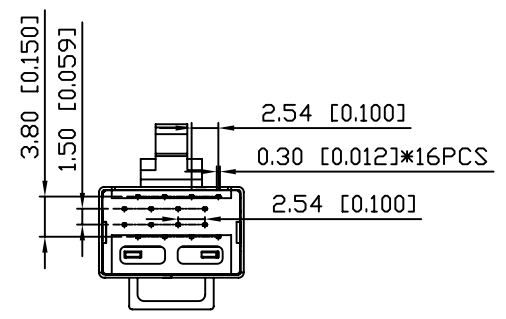
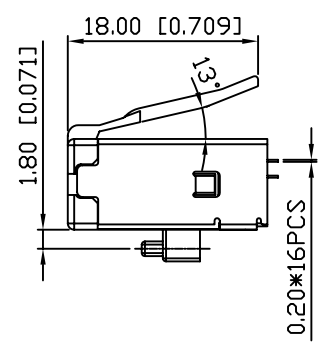
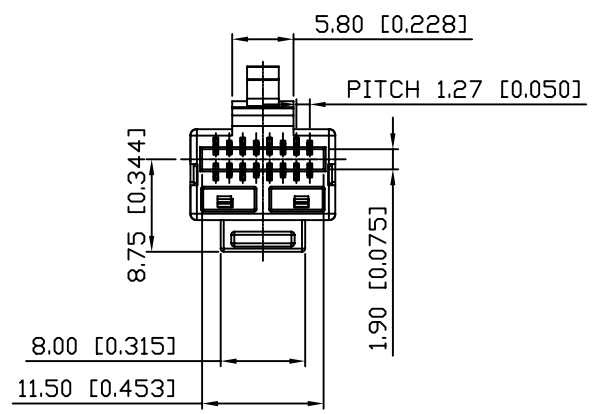
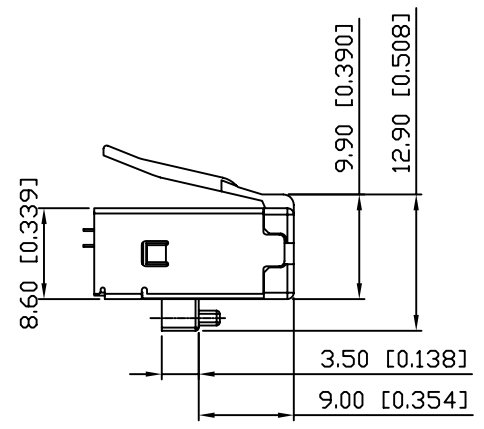


ULTRAJAX MALE PLUG



NOTES:

- MATERIAL:
CONTACTS: 15u" GOLD CONTACT AREA
GOLD FLASH PLATING ON OVERALL.
HOUSING: LCP
SHIELD SUS301 T=0.30 mm WITH TIN ON
TERMINATION END.
- CAVITY CONFORMS TO FCC RULES AND REGULATIONS
PART 68,SUBPART F.
- UNSPECIFIED TOLERANCE: .XX ±0.25[0.010]
.X ±0.30[0.012]



RoHS Compliant

UJAX-16S-001

PRODUCT SERIES
ULTRAJAX

NO. OF CONTACT

SHIELDED TYPE

SERIAL NUMBER

X MULTIPLE 4F, No. 347, Yang Guang St., Neihu, Taipei, Taiwan 11475		THE INFORMATION AGE	
		G/NO: MULTIPLE USA 1420 Los Angeles Ave., Suite G, Simi Valley, CA 93065	
THIS DRAWING IS A CONTROLLED DOCUMENT.			
TITLE: ULTRAJAX MALE PLUG			
PART NO: UJAX-16S-001			
UNIT mm[inch]	SHEET 1 of 1	REV 01	DATE: Jan.12,07

DWG NO:
UJAX-16S-001
DRAWN:
LEON
CHKD:
JEFF