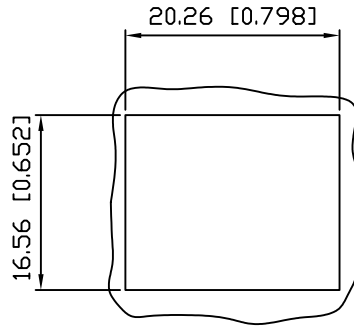
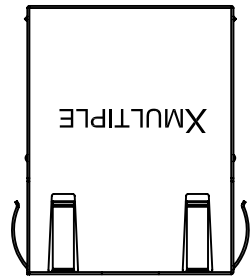
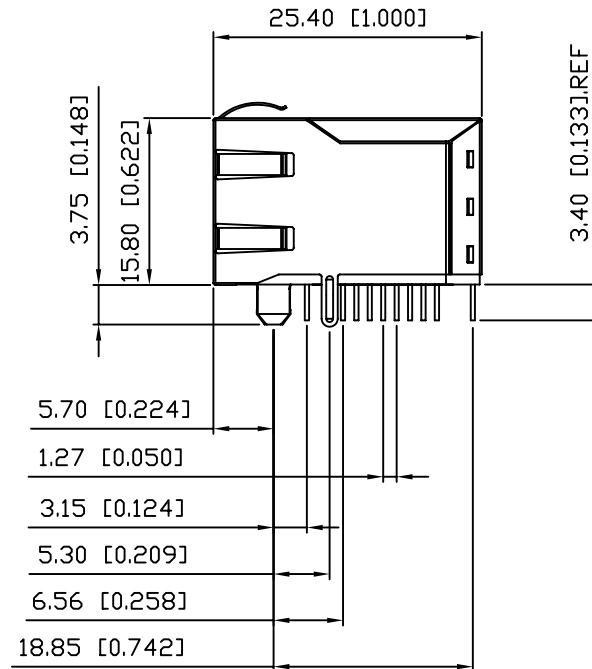
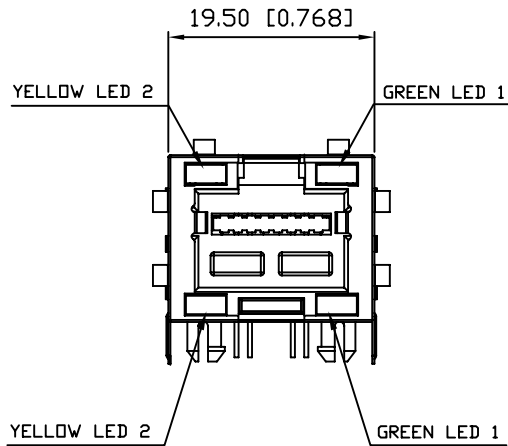


# 1. MECHANICAL DIMENSIONS :



RECOMMENDED  
PANEL CUTOUT DIMENSION



## NOTES:

### 1. MATERIAL:

HOUSING-PBT POLYESTER UL-94V-0  
MIXED GLASS FIBER,  
STANDARD COLOR-BLACK

CONTACTS-MULTILAYER PCB WITH 16 KEY PADS  
PLATING WITH 5u" GOLD.  
SHIELD-0.20mm THICK COPPER ALLOY,  
PLATED WITH NICKEL.

### 2. OPERATING TEMPERATURE: 0°C~+70°C

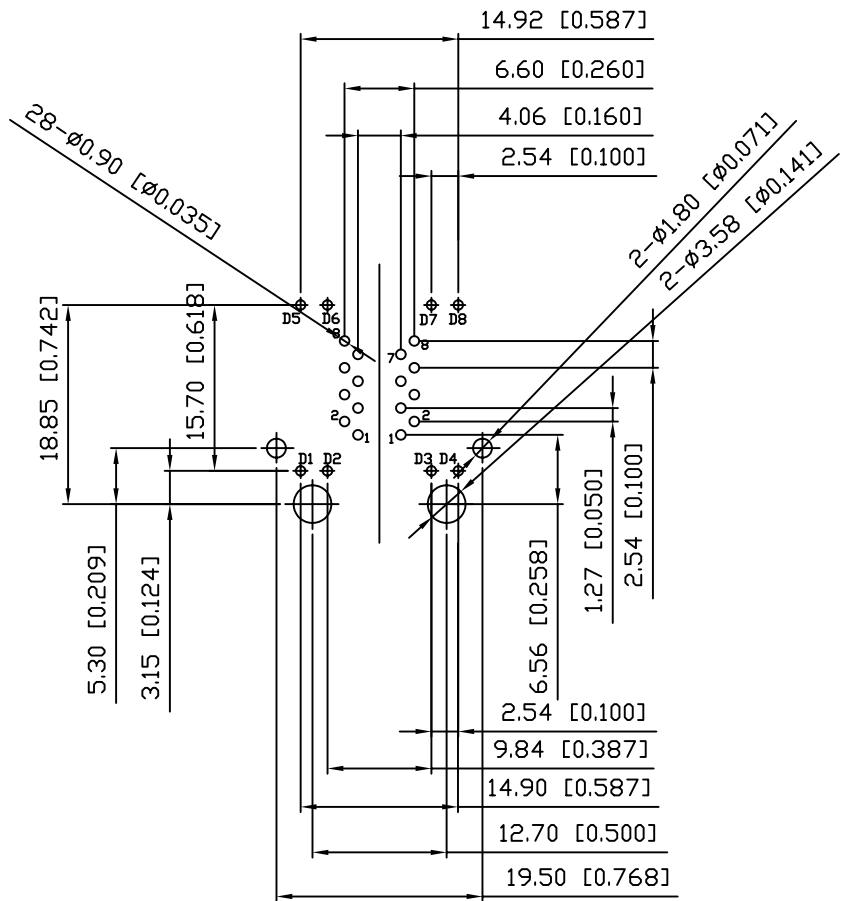
3. CAVITY CONFORMS TO FCC RULES AND REGULATIONS  
PART 68,SUBPART F.

4. UNSPECIFIED TOLERANCE: .XX ±0.25[0.010]  
.X ±0.30[0.012]

# RoHS Compliant

<b>XMULTIPLE</b>		THE INFORMATION AGE	
<small>XMULTIPLE ASIA 4F, No. 347, Yang Guang St., Neihu, Taipei, Taiwan 11475</small>		<small>XMULTIPLE USA 1420 Los Angeles Ave., Suite G, Simi Valley, CA 93065</small>	
THIS DRAWING IS A CONTROLLED DOCUMENT.		G/NO:	
TITLE: ULTRAJAX 1 PORT, W/LED, 16P,16C, Shielded, Thru-Hole		DWG NO: UJAX-01-11-000-171	
PART NO: UJAX-01-11-000-171		DRAWN: IVAN	
		CHKD: JEFF	
		DATE: Jun.08,07	
UNIT mm[inch]	SHEET 1 of 2	REV 01	

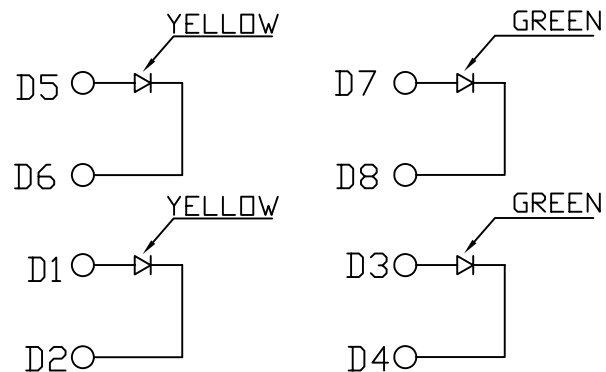
## 2. PCB LAYOUT :



SUGGESTED PCB LAYOUT  
(TOP VIEW)

DIMENSIONAL TOLERANCE: .XX ±0.08[0.003]

## 3. LED CONFIGURATION :



Color	Lens Color	Vf(v) @20mA		Iv(mcd) @10mA		Viewing angle 2θ 1/2
		Min	Max	Min	Typ	
Yellow	Yellow Diffused	1.7	2.8	3.0	6.0	116
Green	Green Diffused	1.7	2.8	3.5	6.0	116

UJAX-01-11-000-171

PRODUCT SERIES  
UJAX : ULTRAJAX

NO. OF PORTS

UPPER PORT LED

1 : CONTACTS PLATING WITH 5μ" GOLD.

SHIELDED TYPE  
7 : EMI FINGER ON ALL SIDE

LED POLARITY  
1 : +-, +-

MECHANICAL TYPE

BOTTOM PORT LED

# RoHS Compliant

X MULTIPLE

THE INFORMATION  
AGE

XMULTIPLE ASIA 4F, No. 347, Yang Guang St., Neihu, Taipei, Taiwan 11475		XMULTIPLE USA 1420 Los Angeles Ave., Suite G, Simi Valley, CA 93065		G/NO: DWG NO: UJAX-01-11-000-171	
THIS DRAWING IS A CONTROLLED DOCUMENT.					
TITLE: ULTRAJAX 1 PORT, W/LED, 16P,16C, Shielded, Thru-Hole				DRAWN: IVAN	
PART NO: UJAX-01-11-000-171				CHKD: JEFF	
UNIT mm[inch]		SHEET 2 of 2		REV 01	
		DATE: Jun.08,07			