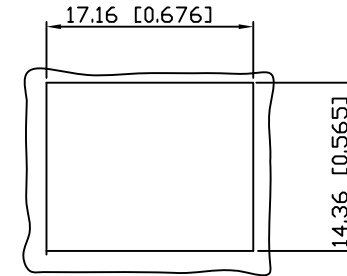
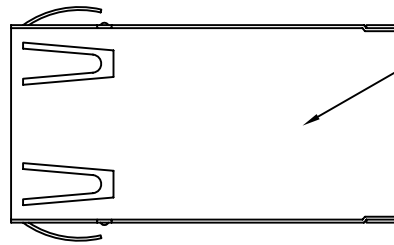


1. MECHANICAL DIMENSIONS :

XMULTIPLE
PH01R0Q2207C
Y Y W W



RECOMMENDED
PANEL CUTOUT DIMENSION

NOTES:

1. MATERIALS:

HOUSING: HIGH TEMP. THERMOPLASTIC, PBT
UL 94V-0, BLACK

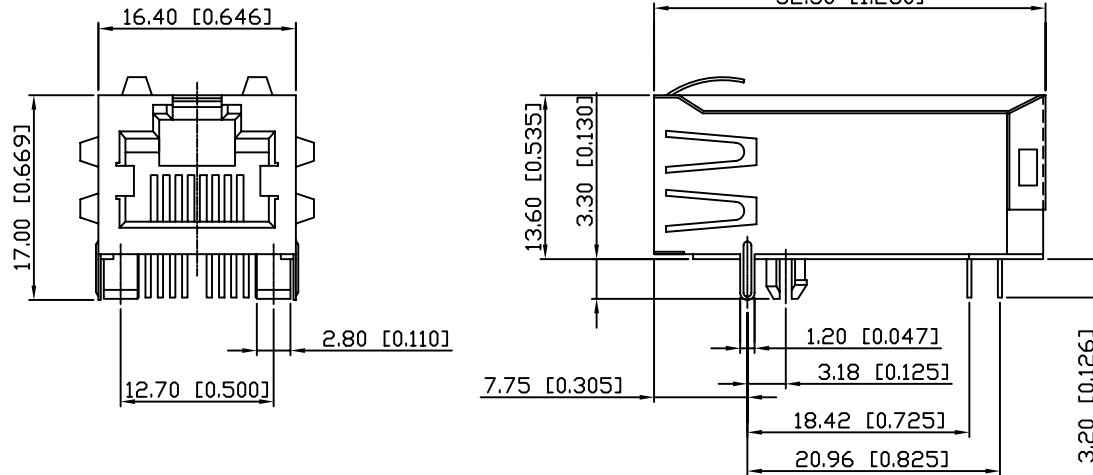
CONTACTS: 0.35mm THICK PHOS-BRONZE PLATED
WITH 15u" GOLD AND GOLD FLASH IN
SOLDER AREA.

SHIELD: 0.25mm THICK COPPER ALLOY,
PLATED WITH NICKEL.

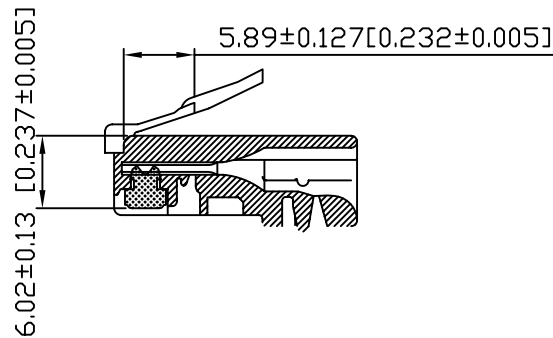
2. OPERATING TEMPERATURE : 0°C~70°C

3. CAVITY CONFORMS TO FCC RULES AND REGULATIONS
PART 68, SUBPART F.

4. UNSPECIFIED TOLERANCE: .XX ±0.25 [0.010]
.X ±0.30 [0.012]



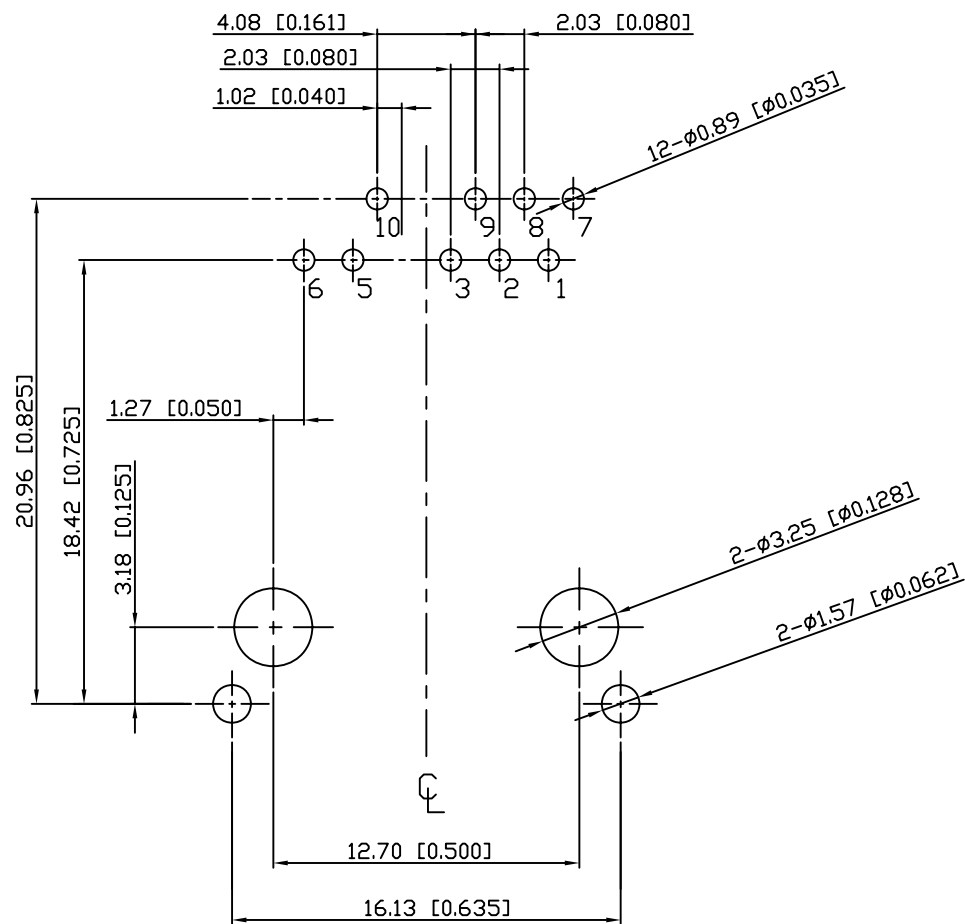
RECOMMENDED PLUG DIMENSION:



RoHS Compliant

XMULTIPLE			CONNECTING THE INFORMATION AGE	
XMULTIPLE ASIA 4F, No. 347, Yang Guang St., Neihu, Taipei, Taiwan 11475		XMULTIPLE USA 1420 Los Angeles Ave., Suite G, Simi Valley, CA 93065		G/NO:
THIS DRAWING IS A CONTROLLED DOCUMENT.				DWG NO: XPJH-01R-0-022-07C-DAS
TITLE: RJ45, w/o LED, with 10/100/1000 Mbps Filter 8P,9C, Shielded, Thru Hole, For PoE.		DRAWN: TOM		F
PART NO: XPJH-01R-0-Q22-07C-DAS		CHKD: TARA		F
	UNIT	SHEET	REV	DATE:
mm [Inch]	1 of 3	01	Sep.30,08	

2. PCB LAYOUT :



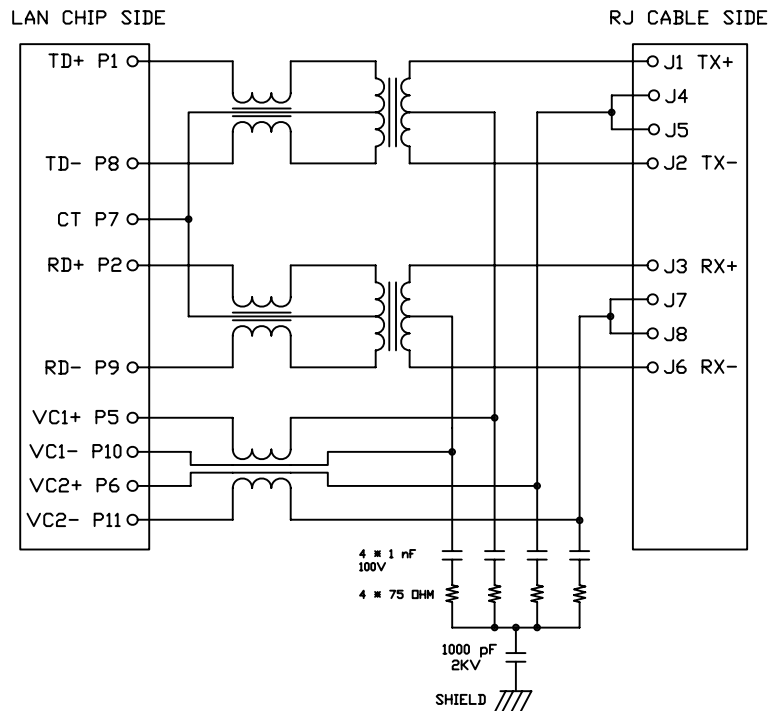
SUGGESTED PCB LAYOUT
TOP VIEW

DIMENSIONAL TOLERANCE: .XX ±0.08[0.003]

RoHS Compliant

		CONNECTING THE INFORMATION AGE		
				X MULTIPLE ASIA 4F, No. 347, Yang Guang St., Neihu, Taipei, Taiwan 11475
THIS DRAWING IS A CONTROLLED DOCUMENT.				DWG NO: XPJH-01R-0-022-07C-DAS
TITLE: RJ45, w/o LED, with 10/100/1000 Mbps Filter 8P,9C, Shielded, Thru Hole, For PoE.		DRAWN: TOM		
PART NO: XPJH-01R-0-Q22-07C-DAS		CHKD: TARA		
		UNIT mm[Inch]	SHEET 2 of 3	
		REV 01	DATE: Sep.30,08	

3. SCHEMATIC:



4. ELECTRICAL CHARACTERISTICS :

TEST NOTES:(25±5°C)

1.TR:(100KHz,0.1V);

PINS:(P1-P8):(J1-J2)=1:1±3%

PINS:(P2-P9):(J3-J6)=1:1±3%

2.LX:(100KHz,100mV,8mA, DC Bias)

PINS: (P1,P8),(P2,P9)=350uH MINIMUM

3.DCR:

PINS:(J1,J2),(J3,J6)=1.2 OHMS MAXIMUM

4.HIPOT:

PINS(P1,P7,P8)TO(J1,J2)=1500VAC FOR 60 SECONDS

PINS(P7,P2,P9)TO(J3,J6)=1500VAC FOR 60 SECONDS

5.INSERTION LOSS:

-1.0dB MAXIMUM AT 0.3MHz TO 100MHz;

6.RETURN LOSS:

-20dB MINIMUM AT 1MHz TO 30MHz;

-15dB MINIMUM AT 30MHz TO 60MHz

-10dB MINIMUM AT 60MHz TO 80MHz

7.CROSS TALK:

-30dB MINIMUM AT 1MHz TO 100MHz

8.COMMON TO COMMON MODE REJECTION:

-30dB MINIMUM AT 1MHz TO 100MHz

XPJH-01R-0-Q22-07C-0AS

PRODUCT SERIES
XPJH : LATCH UP AND STACKED
FOR PoE TYPE

NUMBER OF PORTS
MECHANICAL TYPE
01R : XRJH 1 PORT, LENGTH=32.5mm,
STRAIGHT PINS

LED COLOR OPTION

CUSTOMER CODE

SPECIAL CODE
C : TAKE OUT THE PIN

SHIELDED TYPE
7 : EMI FINGER ON ALL SIDE

LED POLARITY
0 : W/O LED

CIRCUIT TYPE

RoHS Compliant

		CONNECTING THE INFORMATION AGE	
THIS DRAWING IS A CONTROLLED DOCUMENT.			
TITLE: RJ45, w/o LED, with 10/100/1000 Mbps Filter 8P,9C, Shielded, Thru Hole, For PoE.		G/NO:	
PART NO: XPJH-01R-0-Q22-07C-0AS		DWG NO: XPJH-01R-0-Q22-07C-0AS	
		DRAWN: TOM	
UNIT: mm[Inch]		SHEET: 3 of 3	
REV: 01		DATE: Sep.30,08	
DATE: Sep.30,08		CHKD: TARA	