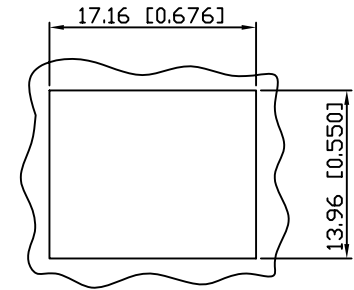
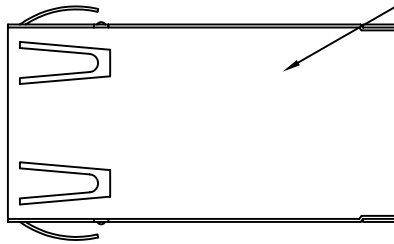
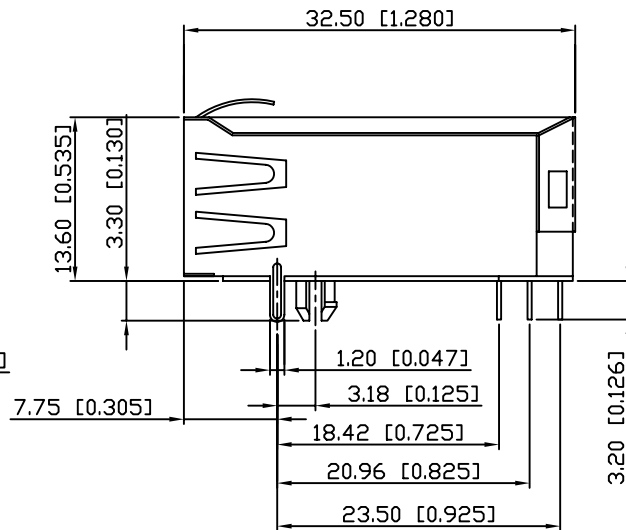
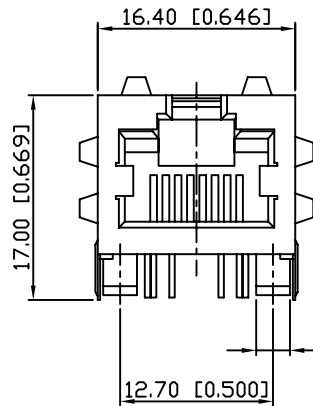


1. MECHANICAL DIMENSIONS :

XMULTIPLE
PH01R0PJ107K
YYWW



RECOMMENDED
PANEL CUTOUT DIMENSION



NOTES:

1. MATERIALS:

HOUSING: HIGH TEMP. THERMOPLASTIC, PBT
UL 94V-0, BLACK

CONTACTS: 0.35mm THICK PHOS-BRONZE PLATED
WITH 15u" GOLD AND GOLD FLASH IN
SOLDER AREA.

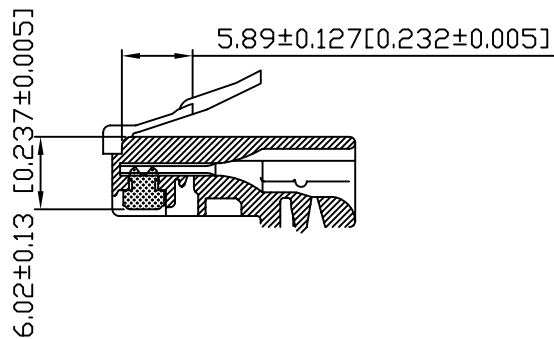
SHIELD: 0.25mm THICK COPPER ALLOY,
PLATED WITH NICKEL.

2. OPERATING TEMPERATURE : -40°C~+85°C

3. CAVITY CONFORMS TO FCC RULES AND REGULATIONS
PART 68,SUBPART F.

4. UNSPECIFIED TOLERANCE: .XX ±0.25 [0.010]
.X ±0.30 [0.012]

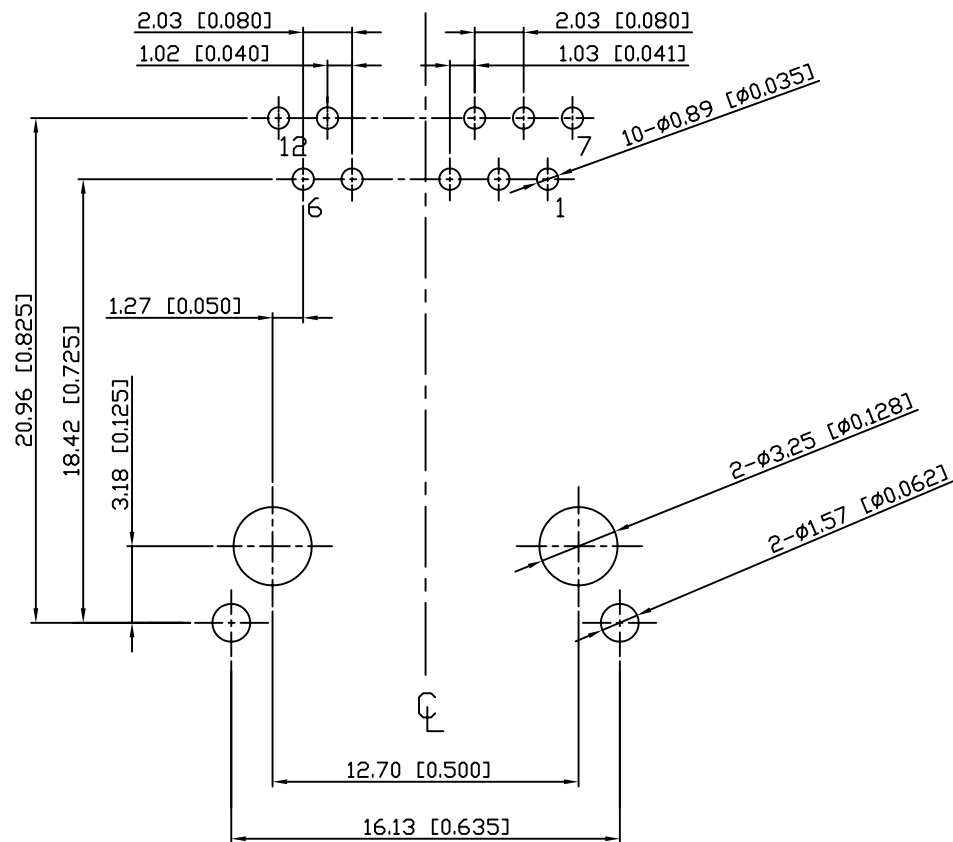
RECOMMENED PLUG DIMENSION:



RoHS Compliant

XMULTIPLE			CONNECTING THE INFORMATION AGE	
XMULTIPLE ASIA 4F, No. 347, Yang Guang St., Neihu, Taipei, Taiwan 11475		XMULTIPLE USA 1420 Los Angeles Ave., Suite G, Simi Valley, CA 93065		G/NO:
THIS DRAWING IS A CONTROLLED DOCUMENT.				DWG NO:
TITLE: RJ45, w/LED, with 10/100 Mbps Filter 8P,10C, Shielded, Thru Hole, For PoE.				XPJH-01R-0-PJ1-07K-BRD
PART NO: XPJH-01R-0-PJ1-07K-BRD				DRAWN: RUNES
				CHKD: TARA
				DATE: Jun.02,08
UNIT mm [Inch]	SHEET 1 of 3	REV 01		

2. PCB LAYOUT :



SUGGESTED PCB LAYOUT

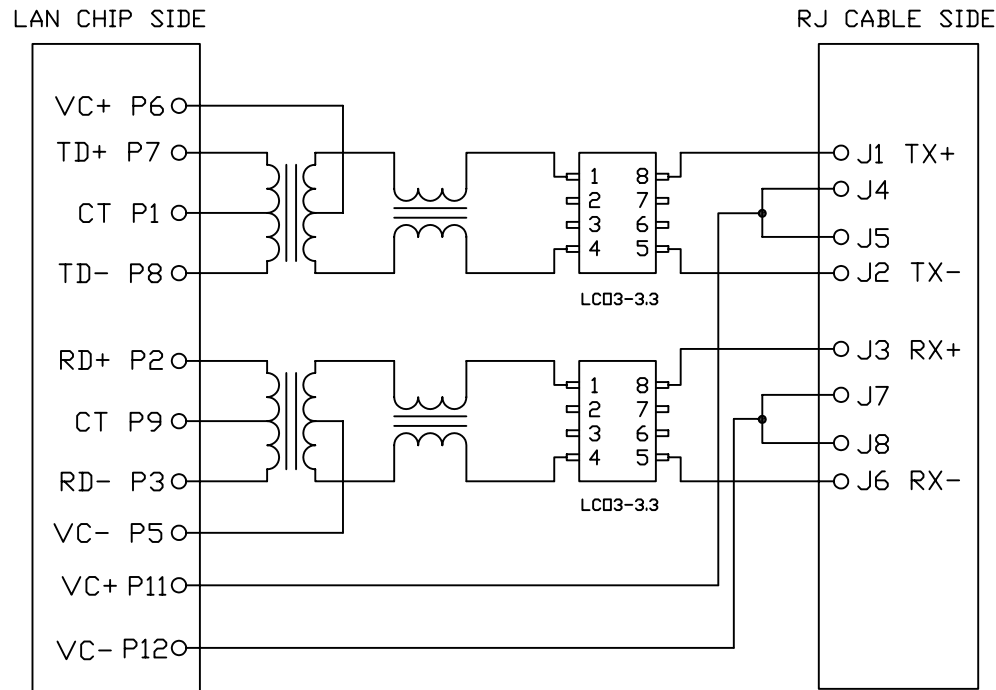
TOP VIEW

DIMENSIONAL TOLERANCE: .XX ±0.08[0.003]

RoHS Compliant

		CONNECTING THE INFORMATION AGE		
				X MULTIPLE ASIA 4F, No. 347, Yang Guang St., Neihu, Taipei, Taiwan 11475
THIS DRAWING IS A CONTROLLED DOCUMENT.				DWG NO:
TITLE: RJ45, w/LED, with 10/100 Mbps Filter 8P,10C, Shielded, Thru Hole, For PoE.			XPJH-01R-0-PJ1-07K-BRD	
PART NO: XPJH-01R-0-PJ1-07K-BRD			DRAWN: RUNES	
			CHKD: TARA	
UNIT: mm [Inch]		SHEET: 2 of 3	REV: 01	DATE: Jun.02,08

3. SCHEMATIC:



4. ELECTRICAL CHARACTERISTICS :

TEST NOTES:(25±5°C)

1.TR:(100KHz,0.1V);

PINS:(P7-P8):(J1-J2)=1:1±3%

PINS:(P2-P3):(J3-J6)=1:1±3%

2.LX:(100KHz,100mV,8mA, DC Bias)

PINS: (P2,P3),(P7,P8)=350uH MINIMUM

3.DCR:

PINS:(J1,J2),(J3,J6)=1.2 OHMS MAXIMUM

4.HIPOT:

PINS(P7,P1,P8)TO(J1,J2)=1500VAC FOR 60 SECONDS

PINS(P2,P9,P3)TO(J3,J6)=1500VAC FOR 60 SECONDS

5.INSERTION LOSS:

-1.0dB MAXIMUM AT 1MHz TO 100MHz;

6.RETURN LOSS:

-20dB MINIMUM AT 1MHz TO 10MHz;

-16dB MINIMUM AT 30MHz

-12dB MINIMUM AT 60MHz TO 80MHz

7.CROSS TALK:

-40dB MINIMUM AT 1MHz TO 10MHz

-35dB MINIMUM AT 30MHz

-30dB MINIMUM AT 60MHz TO 80MHz

8.COMMON TO COMMON MODE REJECTION:

-26dB MINIMUM AT 1MHz TO 50MHz

-20dB MINIMUM AT 50MHz TO 130MHz

9.DC CURRENT: 350 mA

10.OPERATING TEMPERATURE : -40°C~+85°C

XPJH-01R-0-PJ1-07K-BRD

PRODUCT SERIES

XPJH : LATCH UP AND STACKED FOR PoE TYPE

NUMBER OF PORTS

MECHANICAL TYPE
01R : XRJH 1 PORT, LENGTH=32.5mm, STRAIGHT PINS

LED COLOR OPTION

CUSTOMER CODE

SPECIAL CODE

K : TAKE OUT THE PIN + OPERATING TEMPERATURE:-40°C~+85°C

SHIELDED TYPE



7 : EMI FINGER ON ALL SIDE

LED POLARITY

0 : W/O LED

CIRCUIT TYPE

RoHS Compliant

X MULTIPLE			CONNECTING THE INFORMATION AGE	
MULTIPLE ASIA 4F, No. 347, Yang Guang St., Neihu, Taipei, Taiwan 11475		MULTIPLE USA 1420 Los Angeles Ave., Suite G, Simi Valley, CA 93065		G/NO:
THIS DRAWING IS A CONTROLLED DOCUMENT.				DWG NO:
TITLE: RJ45, w/LED, with 10/100 Mbps Filter 8P,10C, Shielded, Thru Hole, For PoE.				XPJH-01R-0-PJ1-07K-BRD DRAWN:
PART NO: XPJH-01R-0-PJ1-07K-BRD				RUNES CHKD:
 				TARA DATE:
UNIT mm[Inch]	SHEET 3 of 3	REV 01	Jun.02,08	