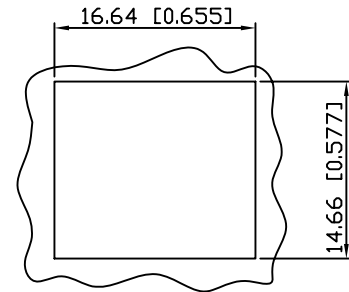
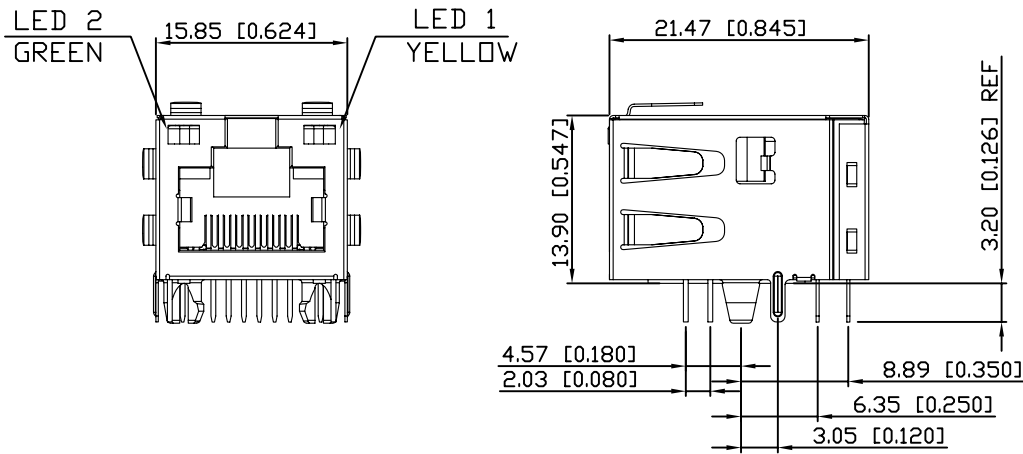
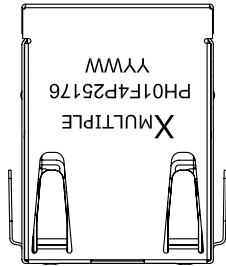
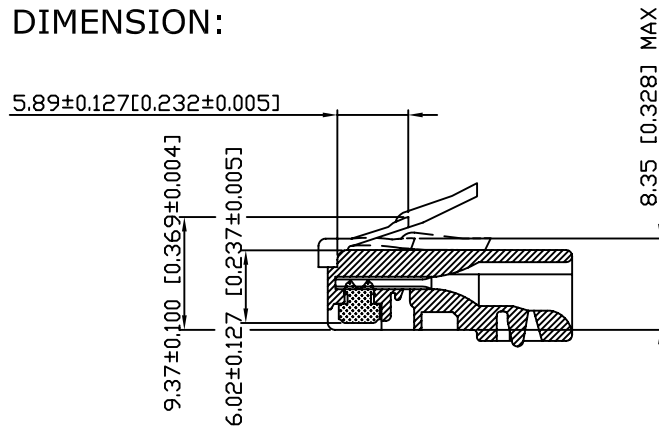


# 1. MECHANICAL DIMENSIONS :



RECOMMENDED  
PANEL CUTOUT DIMENSION

## RECOMMENED PLUG DIMENSION:



preliminary

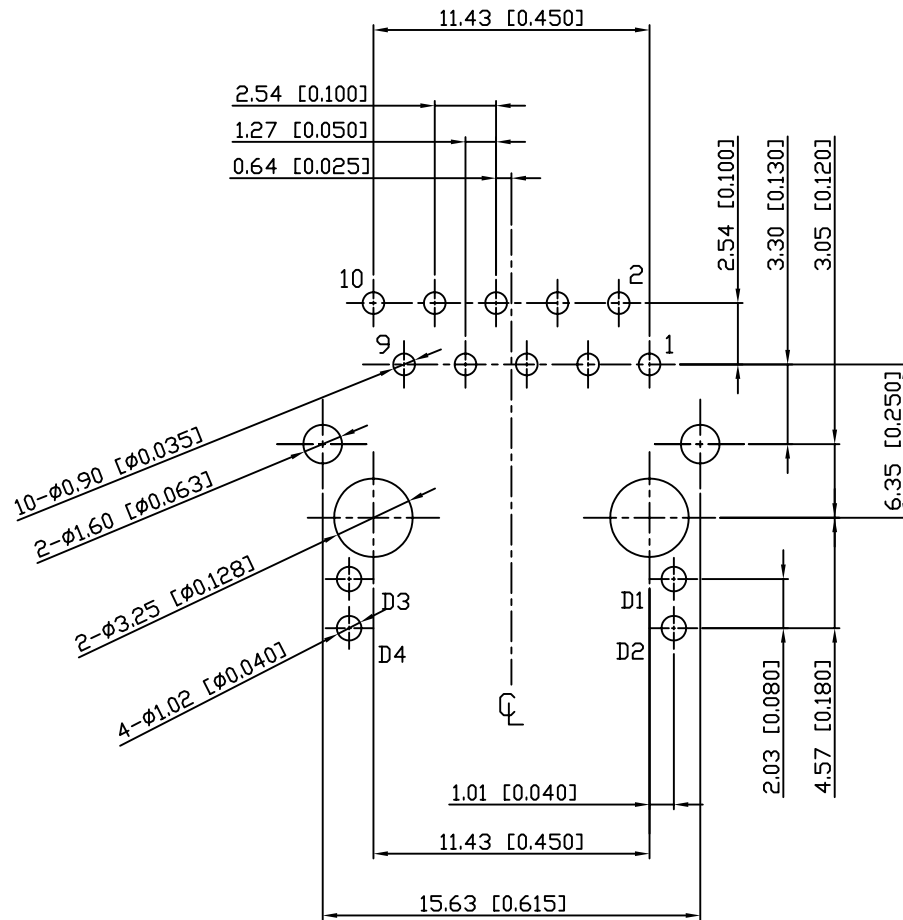
### NOTES:

1. MATERIALS:  
HOUSING: HIGH TEMPERATURE PBT UL94V-0 BLACK  
CONTACTS: T=0.35 PHOSPHOR BORNZE, 50μ' NICKEL UNDERPLATE ON ALL AREA, 100μ' TIN ON TERMINATION END, HARD GOLD ON CONTACT AREA.  
SHIELD: BRASS T=0.20mm NICKEL 50μ' MIN PLATING.
2. OPERATING TEMPERATURE: 0°C ~ +70°C
3. JACK CAVITY CONFORMS TO FCC RULES AND REGULATIONS PART 68, SUBPART F
4. UNSPECIFIED TOLERANCE: .XX ±0.25[0.010]  
.X ±0.30[0.012]

# RoHS Compliant

<b>X MULTIPLE</b>		THE INFORMATION AGE	
XMULTIPLE ASIA 4F, No. 347, Yang Guang St., Neihu, Taipei, Taiwan 11475		XMULTIPLE USA 1420 Los Angeles Ave., Suite G, Simi Valley, CA 93065	
THIS DRAWING IS A CONTROLLED DOCUMENT.		G/NO:	
TITLE: RJ45 Connectors, w/LED, 8P, 10C, Shielded/Thru Hole /10/100 Mbps/FILTER, for P.O.E.		DWG NO: XPJH-01F-4-P25-176	
PART NO: XPJH-01F-4-P25-176		DRAWN: LEON	
		CHKD: TARA	
		DATE: Jun.11,09	
UNIT mm[inch]	SHEET 1 of 3	REV 01	

## 2. PCB LAYOUT

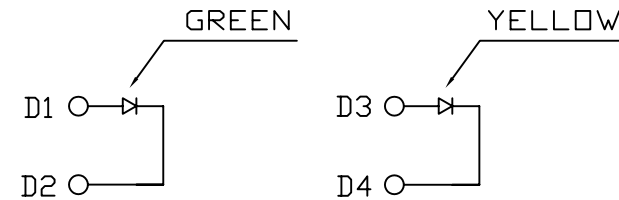


SUGGESTED PCB LAYOUT  
(TOP VIEW)

DIMENSIONAL TOLERANCE: .XX ±0.08[0.003]

preliminary

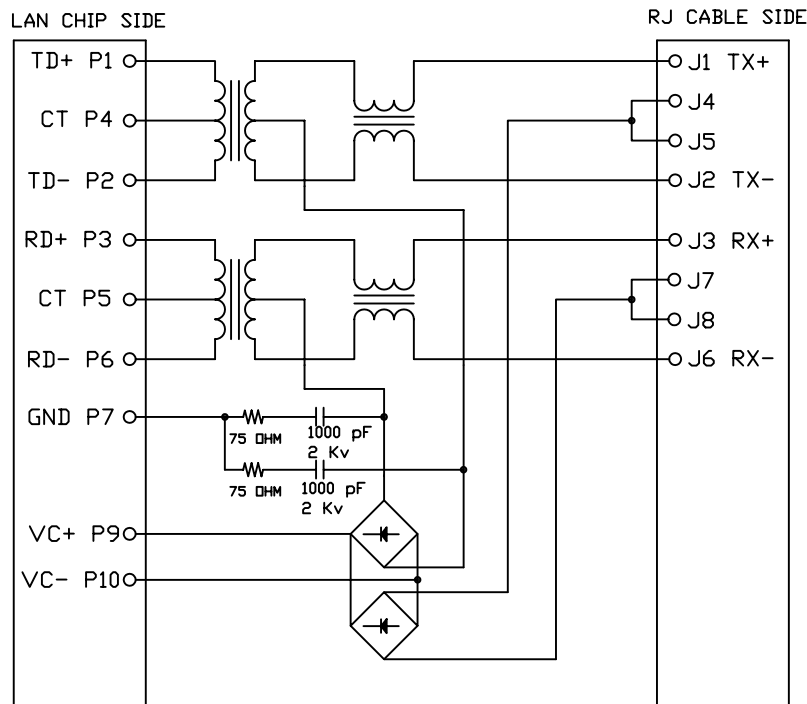
## 3. LED CONFIGURATION



RoHS Compliant

		<small>THE INFORMATION AGE</small>	
<small>XMULTIPLE ASIA 4F, No. 347, Yang Guang St., Neihu, Taipei, Taiwan 11475</small>		<small>XMULTIPLE USA 1420 Los Angeles Ave., Suite G, Simi Valley, CA 93065</small>	
THIS DRAWING IS A CONTROLLED DOCUMENT.		<small>G/NO: DWG NO: XPJH-01F-4-P25-176</small>	
<small>TITLE: RJ45 Connectors, w/LED, 8P, 10C, Shielded/Thru Hole /10/100 Mbps/FILTER, for P.D.E.</small>		<small>DRAWN: LEON</small>	
<small>PART NO: XPJH-01F-4-P25-176</small>		<small>CHKD: TARA</small>	
		<small>UNIT</small> mm[inch J]	<small>SHEET</small> 2 of 3
		<small>REV</small> 01	<small>DATE:</small> Jun.11,09

### 4. SCHMATIC :



### 5. ELECTRICAL CHARACTERISTICS :

TEST NOTES:(25±5°C)

- 1.TR:(100KHz,0.1V);  
PINS:(P1-P2):(J1-J2)=1:1±3%  
PINS:(P3-P6):(J3-J6)=1:1±3%
- 2.LX:(100KHz,100mV,8mA, DC Bias)  
PINS:(P1,P2),(P3,P6)=350uH MINIMUM
- 3.DCR:  
PINS:(J1,J2),(J3,J6)=1.2 OHMS MAXIMUM
- 4.HIPOT:  
PINS(P1,P4,P2)TO(J1,J2)=1500VAC FOR 60 SECONDS  
PINS(P3,P5,P6)TO(J3,J6)=1500VAC FOR 60 SECONDS
- 5.INSERTION LOSS:  
-1.0dB MAXIMUM AT 0.3MHz TO 100MHz;
- 6.RETURN LOSS:  
-20dB MINIMUM AT 1MHz TO 30MHz;  
-15dB MINIMUM AT 30MHz TO 60MHz  
-10dB MINIMUM AT 60MHz TO 80MHz
- 7.CROSS TALK:  
-30dB MINIMUM AT 1MHz TO 100MHz
- 8.COMMON TO COMMON MODE REJECTION:  
-30dB MINIMUM AT 1MHz TO 100MHz

XPJH-01F-4-P25-176

PRODUCT SERIES  
H : LATCH UP AND STACKED FOR POE

NUMBER OF PORTS  
MECHANICAL TYPE  
01F : XRJH 1 PORT, LENGTH=21.5mm, STAGGERED PINS

LED COLOR OPTION

SPECIAL CODE  
6 : HR1 R/R (CONTACT PIN RIGHT 1 SOLDER PIN RIGHT 1)

SHIELDED TYPE  
7 : EMI FINGER ON ALL SIDE

LED POLARITY  
1: +-, +-

CIRCUIT TYPE  
P : 10/100/Mbps, 4 CORE for P.O.E

## RoHS Compliant

<b>X MULTIPLE</b>		THE INFORMATION AGE	
<small>XMULTIPLE ASIA 4F, No. 347, Yang Guang St., Neihu, Taipei, Taiwan 11475</small>		<small>XMULTIPLE USA 1420 Los Angeles Ave., Suite G, Simi Valley, CA 93065</small>	
THIS DRAWING IS A CONTROLLED DOCUMENT.		G/NO: DWG NO: XPJH-01F-4-P25-176	
TITLE: RJ45 Connectors, w/LED, 8P, 10C, Shielded/Thru Hole /10/100 Mbps/FILTER, for P.O.E.		DRAWN: LEON	
PART NO: XPJH-01F-4-P25-176		CHKD: TARA	
		UNIT mm[inch J]	SHEET 3 of 3
		REV 01	DATE: Jun.11,09

preliminary