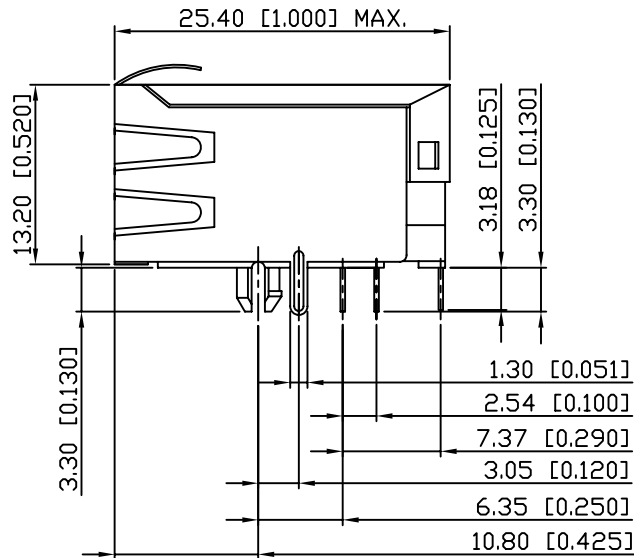
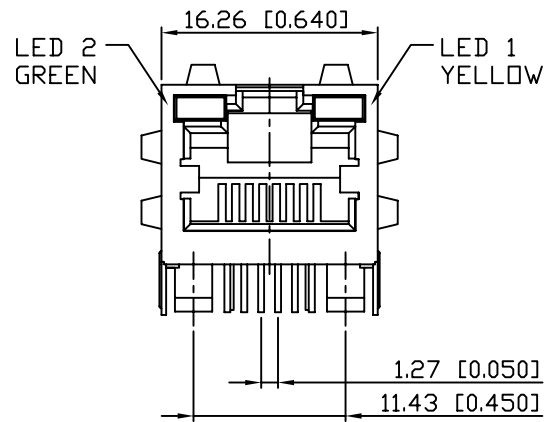
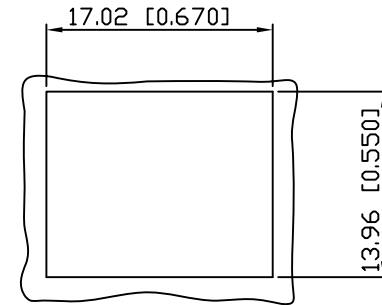


1. MECHANICAL DIMENSIONS :



XMULTIPLE
PH01D4P23170
YYWW

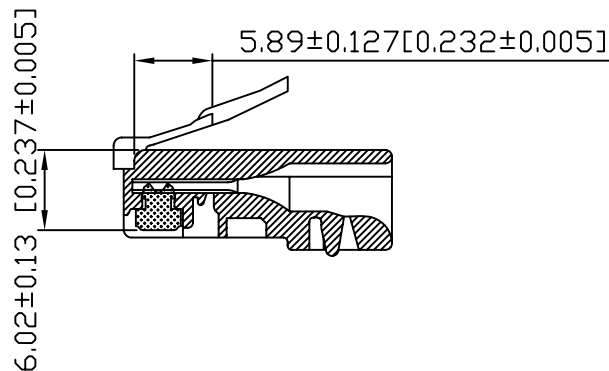


RECOMMENDED
PANEL CUTOUT DIMENSION

NOTES:

- MATERIAL:
HOUSING: NYLON POLYESTER UL94V-0
MIXED GLASS FIBER.
STANDARD COLOR-BLACK
CONTACTS: 0.35mm THICK PHOS-BRONZE PLATED
WITH 15u" GOLD AND GOLD FLASH IN
SOLDER AREA.
SHIELD: 0.20mm THICK COPPER ALLOY,
PLATED WITH NICKEL.
- OPERATING TEMPERATURE : 0°C~70°C
- CAVITY CONFORMS TO FCC RULES AND REGULATIONS
PART 68, SUBPART F.
- UNSPECIFIED TOLERANCE: .XX ±0.25 [0.010]
.X ±0.30 [0.012]

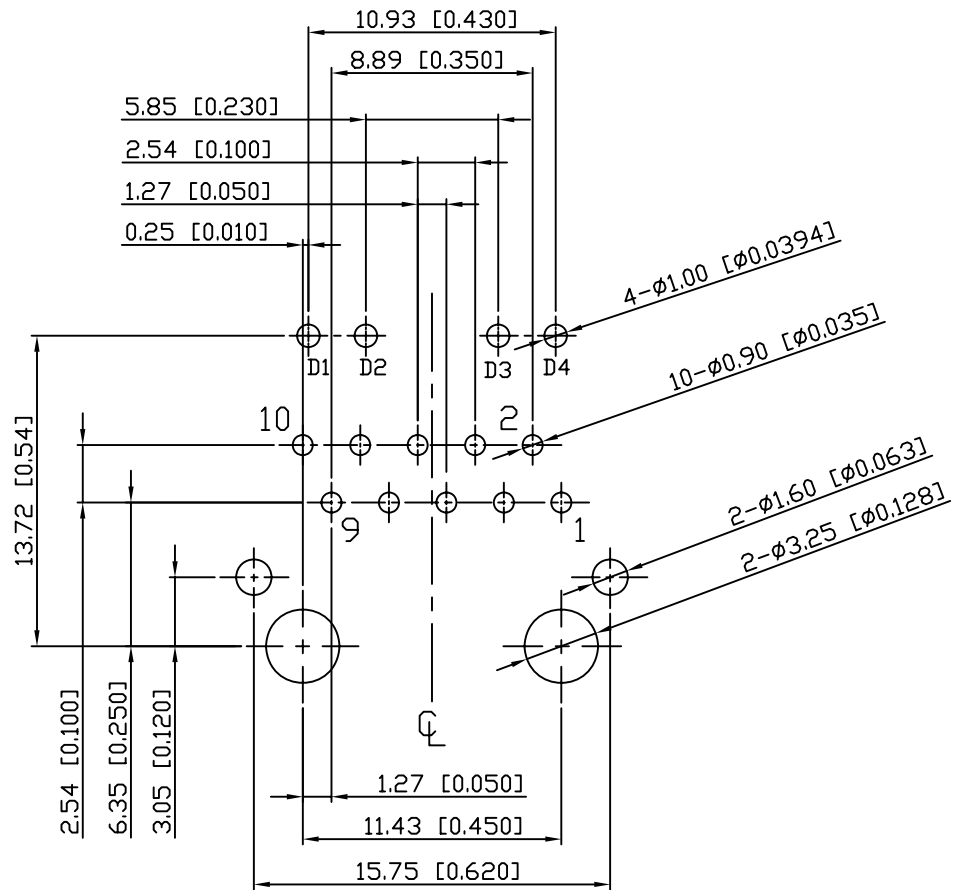
RECOMMENED PLUG DIMENSION:



RoHS Compliant

		CONNECTING THE INFORMATION AGE	
XMULTIPLE ASIA 4F, No. 347, Yang Guang St., Neihu, Taipei, Taiwan 11475		XMULTIPLE USA 1420 Los Angeles Ave., Suite G, Simi Valley, CA 93065	
THIS DRAWING IS A CONTROLLED DOCUMENT.		G/NO:	
TITLE: RJ45, w/LED, with 10/100 Mbps Filter 8P,10C, Shielded, Thru Hole, For PoE		DWG NO: XPJH-01D-4-P23-170-DAQ	
PART NO: XPJH-01D-4-P23-170-DAQ		DRAWN: TOM	
		CHKD: TARA	
UNIT: mm [Inch]		SHEET: 1 of 3	
REV: 01		DATE: Sep.16,08	

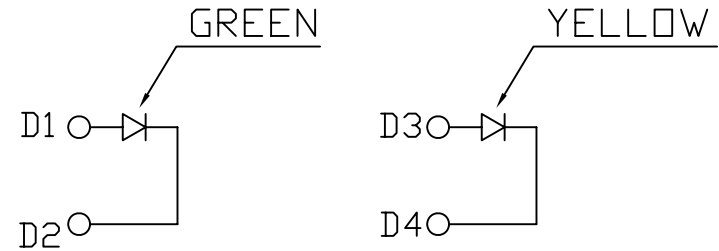
2. PCB LAYOUT :



SUGGESTED PCB LAYOUT
(TOP VIEW)

DIMENSIONAL TOLERANCE: .XX ±0.08[0.003]

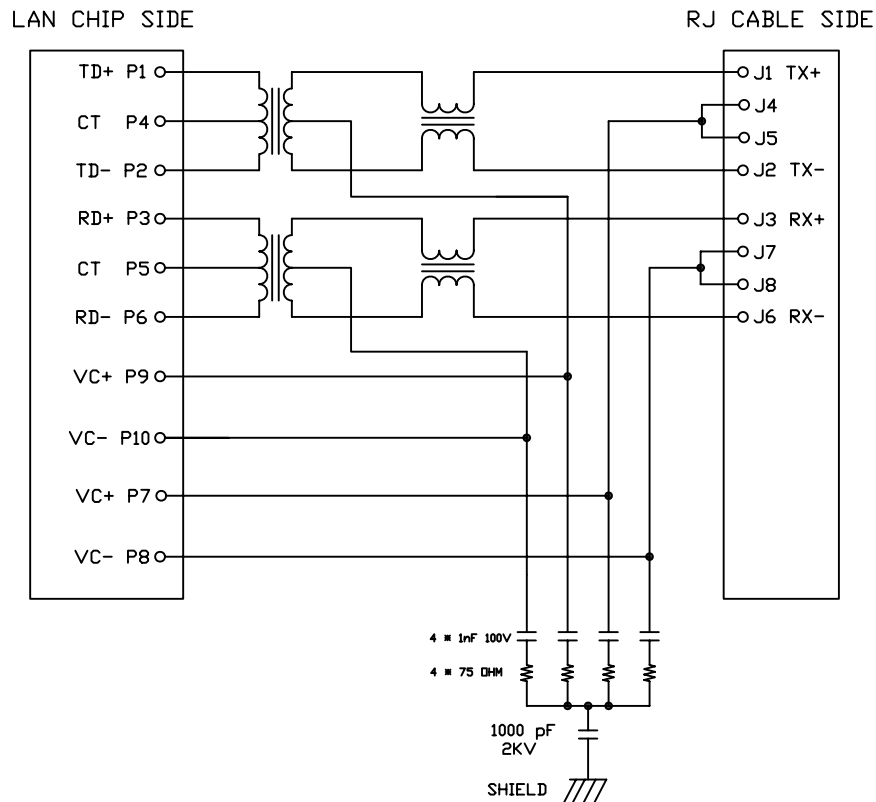
3. LED CONFIGURATION :



RoHS Compliant

		CONNECTING THE INFORMATION AGE		
				X MULTIPLE ASIA 4F, No. 347, Yang Guang St., Neihu, Taipei, Taiwan 11475
THIS DRAWING IS A CONTROLLED DOCUMENT.				DWG NO:
TITLE: RJ45, w/LED, with 10/100 Mbps Filter 8P,10C, Shielded, Thru Hole, For PoE		DRAWN:		
PART NO: XPJH-01D-4-P23-170-DAQ		TOM		
		UNIT: mm[Inch]	SHEET: 2 of 3	
		REV: 01	DATE: Sep.16,08	

4. SCHEMATIC :



5. ELECTRICAL CHARACTERISTICS :

TEST NOTES:($25 \pm 5^\circ\text{C}$)

1.TR:(100KHz,0.1V);

PINS:(P1-P2):(J1-J2)=1:1 \pm 3%

PINS:(P3-P6):(J3-J6)=1:1 \pm 3%

2.LX:(100KHz,100mV,8mA, DC Bias)

PINS:(P1,P2),(P3,P6)=350uH MINIMUM

3.DCR:

PINS:(J1,J2),(J3,J6)=1.2 OHMS MAXIMUM

4.HIPOT:

PINS(P1,P4,P2)TO(J1,J2)=1500VAC FOR 60 SECONDS

PINS(P3,P5,P6)TO(J3,J6)=1500VAC FOR 60 SECONDS

5.INSERTION LOSS:

-1.0dB MAXIMUM AT 0.3MHz TO 100MHz;

6.RETURN LOSS:

-20dB MINIMUM AT 1MHz TO 30MHz;

-15dB MINIMUM AT 30MHz TO 60MHz

-10dB MINIMUM AT 60MHz TO 80MHz

7.CROSS TALK:

-30dB MINIMUM AT 1MHz TO 100MHz

8.COMMON TO COMMON MODE REJECTION:

-30dB MINIMUM AT 1MHz TO 100MHz

XPJH-01D-4-P23-170-DAQ

PRODUCT SERIES
XPJH : LATCH UP AND STACKED
FOR PoE TYPE

NUMBER OF PORTS
MECHANICAL TYPE
01D : XRJH 1 PORT, LENGTH=25.4mm,
STAGGERED PINS

LED COLOR OPTION

CUSTOMER CODE

SPECIAL CODE
0 : STANDARD

SHIELDED TYPE
7 : EMI FINGER ON ALL SIDE

LED POLARITY
1 : +-, +-

CIRCUIT TYPE

RoHS Compliant

		CONNECTING THE INFORMATION AGE	
THIS DRAWING IS A CONTROLLED DOCUMENT.			
TITLE: RJ45, w/LED, with 10/100 Mbps Filter 8P,10C, Shielded, Thru Hole, For PoE		DWG NO: XPJH-01D-4-P23-170-DAQ	
PART NO: XPJH-01D-4-P23-170-DAQ		DRAWN: TOM	
		CHKD: TARA	
UNIT mm[Inch]		SHEET 3 of 3	
REV 01		DATE: Sep.16,08	