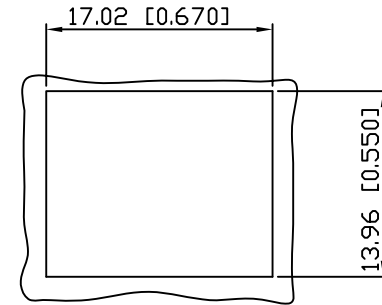
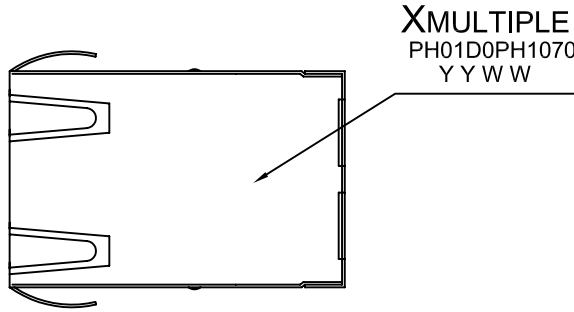
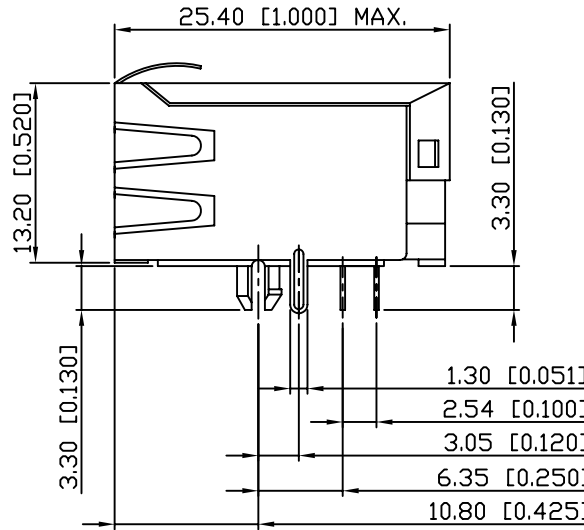
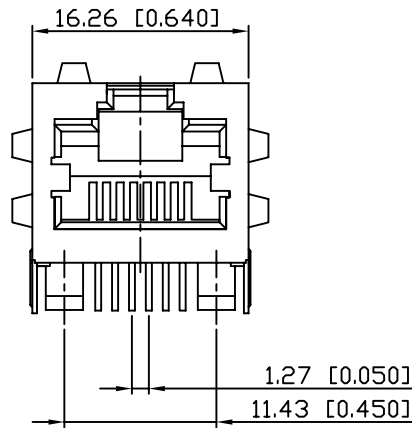


1. MECHANICAL DIMENSIONS :



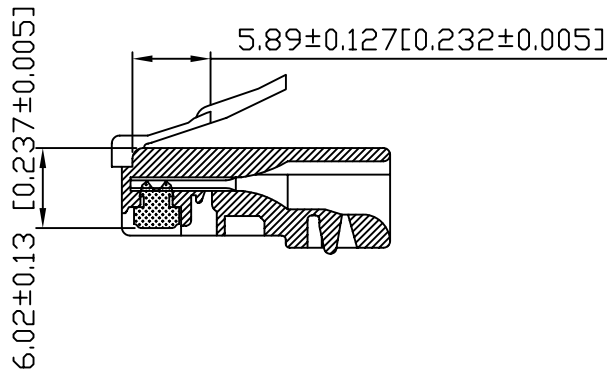
RECOMMENDED
PANEL CUTOUT DIMENSION



NOTES:

- MATERIAL:
HOUSING: NYLON POLYESTER UL94V-0
MIXED GLASS FIBER.
STANDARD COLOR-BLACK
CONTACTS: 0.35mm THICK PHOS-BRONZE PLATED
WITH 15u' GOLD AND GOLD FLASH IN
SOLDER AREA.
SHIELD: 0.20mm THICK COPPER ALLOY,
PLATED WITH NICKEL.
- OPERATING TEMPERATURE : 0°C~70°C
- CAVITY CONFORMS TO FCC RULES AND REGULATIONS
PART 68,SUBPART F.
- UNSPECIFIED TOLERANCE: .XX ±0.25 [0.010]
.X ±0.30 [0.012]

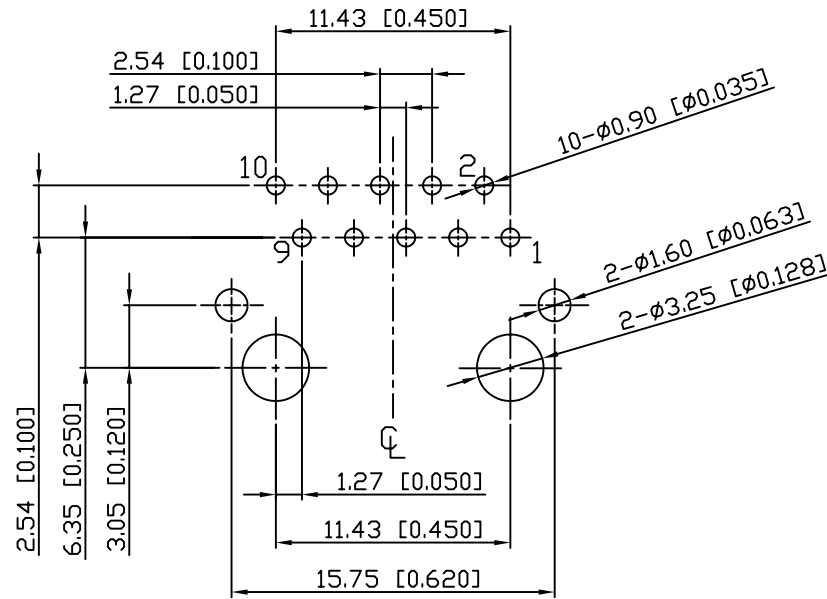
RECOMMENED PLUG DIMENSION:



RoHS Compliant

X MULTIPLE		CONNECTING THE INFORMATION AGE	
X MULTIPLE ASIA 4F, No. 347, Yang Guang St., Neihu, Taipei, Taiwan 11475		X MULTIPLE USA 1420 Los Angeles Ave., Suite G, Simi Valley, CA 93065	
THIS DRAWING IS A CONTROLLED DOCUMENT.		G/NO:	
TITLE: RJ45, W/o LED, with 10/100 Mbps Filter 8P,10C, Shielded, Thru Hole, For PoE		DWG NO: XPJH-01D-0-PH1-070	
PART NO: XPJH-01D-0-PH1-070		DRAWN: RUNES	
		CHKD: TARA	
		DATE: May.16,08	
UNIT mm [Inch]	SHEET 1 of 3	REV 01	

2. PCB LAYOUT :



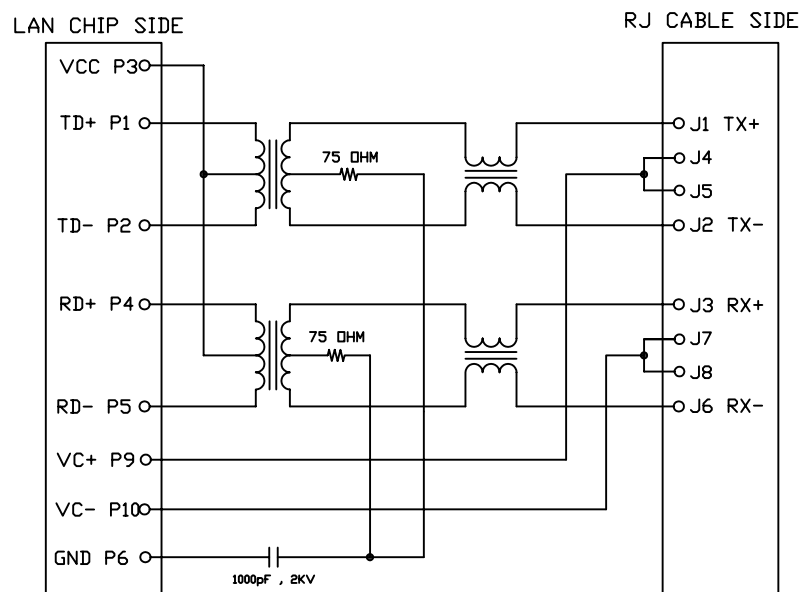
SUGGESTED PCB LAYOUT
(TOP VIEW)

DIMENSIONAL TOLERANCE: .XX ±0.08[0.003]

RoHS Compliant

		CONNECTING THE INFORMATION AGE		
				XMULTIPLE ASIA 4F, No. 347, Yang Guang St., Neihu, Taipei, Taiwan 11475
THIS DRAWING IS A CONTROLLED DOCUMENT.				DWG NO: XPJH-01D-0-PH1-070
TITLE: RJ45, W/o LED, with 10/100 Mbps Filter 8P,10C, Shielded, Thru Hole, For PoE			DRAWN: RUNES	
PART NO: XPJH-01D-0-PH1-070			CHKD: TARA	
		UNIT mm[Inch]	SHEET 2 of 3	REV 01
			DATE: May.16,08	

3. SCHEMATIC :



4. ELECTRICAL CHARACTERISTICS :

TEST NOTES:($25 \pm 5^\circ\text{C}$)

1.TR:(100KHz,0.1V);

PINS:(P1-P2):(J1-J2)= $1:1 \pm 3\%$

PINS:(P4-P5):(J3-J6)= $1:1 \pm 3\%$

2.LX:(100KHz,100mV,8mA, DC Bias)

PINS:(P1,P2),(P4,P5)=350uH MINIMUM

3.DCR:

PINS:(J1,J2),(J3,J6)=1.2 OHMS MAXIMUM

4.HIPOT:

PINS(P1,P3,P2)TO(J1,J2)=1500VAC FOR 60 SECONDS

PINS(P4,P3,P5)TO(J3,J6)=1500VAC FOR 60 SECONDS

5.INSERTION LOSS:

-1.0dB MAXIMUM AT 0.3MHz TO 100MHz;

6.RETURN LOSS:

-20dB MINIMUM AT 1MHz TO 30MHz;

-15dB MINIMUM AT 30MHz TO 60MHz

-10dB MINIMUM AT 60MHz TO 80MHz

7.CROSS TALK:

-30dB MINIMUM AT 1MHz TO 100MHz

8.COMMON TO COMMON MODE REJECTION:

-30dB MINIMUM AT 1MHz TO 100MHz

XPJH-01D-0-PH1-070

PRODUCT SERIES
XPJH : LATCH UP AND STACKED
FOR PoE TYPE

NUMBER OF PORTS
MECHANICAL TYPE
01D : XRJH 1 PORT, LENGTH=25.4mm,
STAGGERED PINS

LED COLOR OPTION

SPECIAL CODE
0 : STANDARD

SHIELDED TYPE
7 : EMI FINGER ON ALL SIDE

LED POLARITY
0 : W/O LED

CIRCUIT TYPE

RoHS Compliant

				X MULTIPLE ASIA 4F, No. 347, Yang Guang St., Neihu, Taipei, Taiwan 11475
THIS DRAWING IS A CONTROLLED DOCUMENT.				G/NO:
TITLE: RJ45, W/o LED, with 10/100 Mbps Filter 8P,10C, Shielded, Thru Hole, For PoE			DWG NO: XPJH-01D-0-PH1-070	
PART NO: XPJH-01D-0-PH1-070			DRAWN: RUNES	
			CHKD: TARA	
UNIT mm [Inch]		SHEET 3 of 3	REV 01	
DATE: May.16,08				