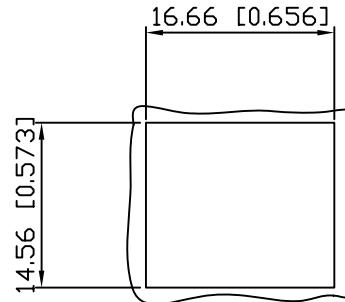
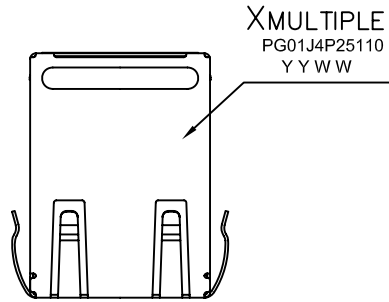


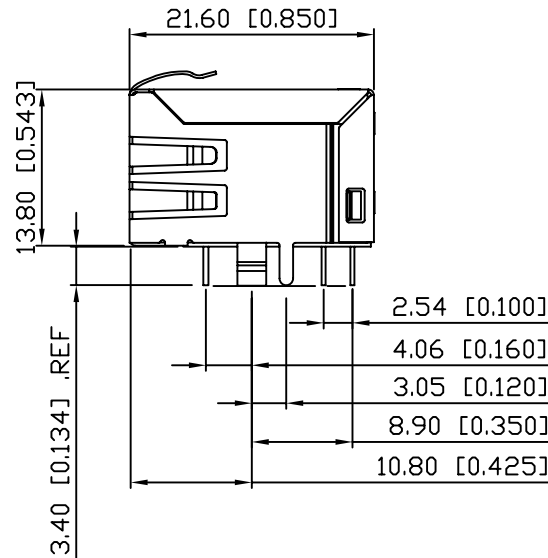
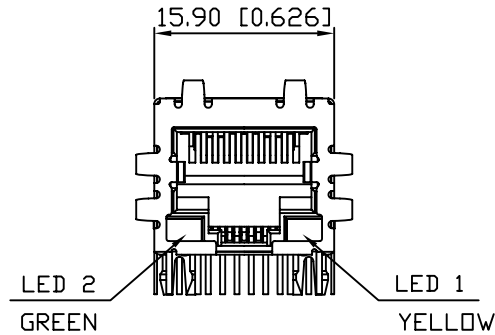
1. MECHANICAL DIMENSIONS :



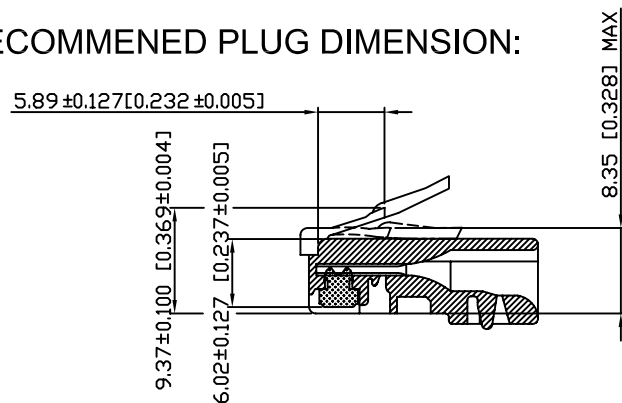
RECOMMENDED
PANEL CUTOUT DIMENSION

NOTES:

1. MATERIALS:
HOUSING: PBT POLYESTER UL94V-0
MIXED GLASS FIBER.
STANDARD COLOR-BLACK.
CONTACTS: 0.35mm THICK PHOS-BRONZE PLATED
WITH 15u' GOLD AND TIN
IN SOLDER AREA.
SHIELD: 0.25mm THICK COPPER ALLOY,
PLATED WITH NICKEL.
2. OPERATING TEMPERATURE: 0°C ~ +70°C
3. CAVITY CONFORMS TO FCC RULES AND REGULATIONS
PART 68, SUBPART F.
4. UNSPECIFIED TOLERANCE: .XX ±0.25[0.010]
.X ±0.30[0.012]



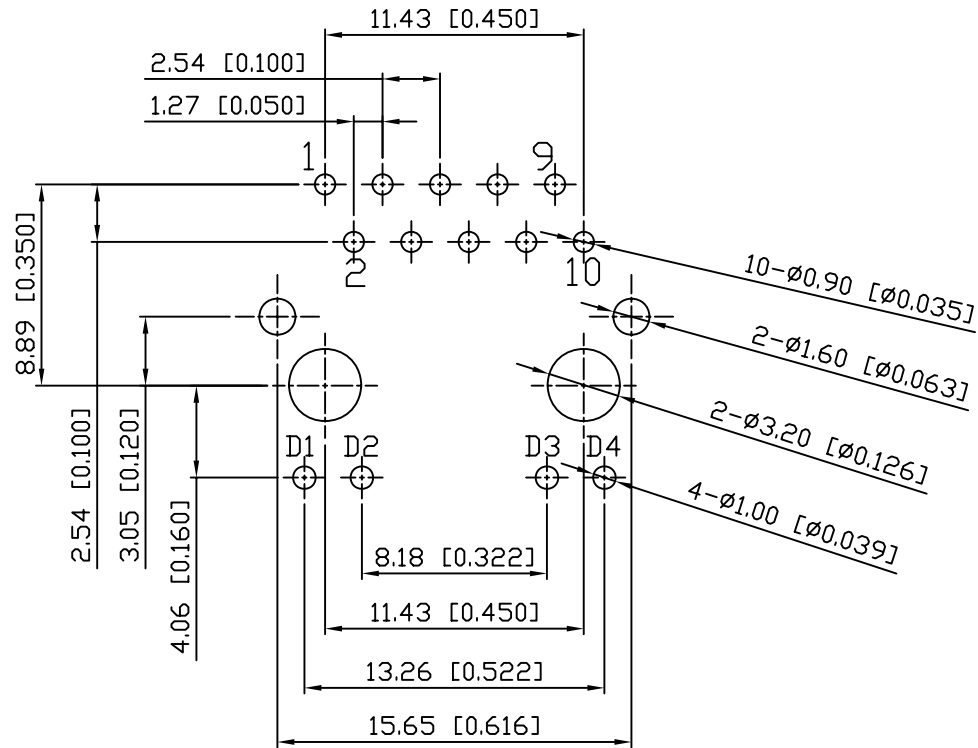
RECOMMENED PLUG DIMENSION:



RoHS Compliant

| | | | | |
|---|--|---|--------------------------------------|-------------------------------|
| XMULTIPLE | | | CONNECTING THE INFORMATION AGE | |
| XMULTIPLE ASIA 4F, No. 347, Yang Guang St., Neihu, Taipei, Taiwan 11475 | | XMULTIPLE USA 1420 Los Angeles Ave., Suite G, Simi Valley, CA 93065 | | G/NO: |
| THIS DRAWING IS A CONTROLLED DOCUMENT. | | | | DWG NO: XPJG-01J-4-P25-110 |
| TITLE: SINGLE PORT, RJ45, SHIELDED, w/LED WITH TRANSFORMER, SIDE ENTRY PCB JACK, FOR PoE | | | | DRAWN: TOM |
| PART NO: XPJG-01J-4-P25-110 | | | | CHKD: TARA |
| | | UNIT mm [Inch] | SHEET 1 of 3 | REV 01 |
| | | | | DATE: May.07,09 |

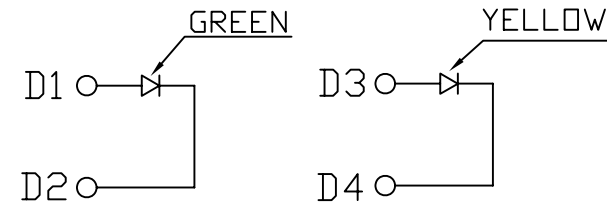
2. PCB LAYOUT :



SUGGESTED PCB LAYOUT
(TOP VIEW)

DIMENSIONAL TOLERANCE: .XX ±0.08[0.003]

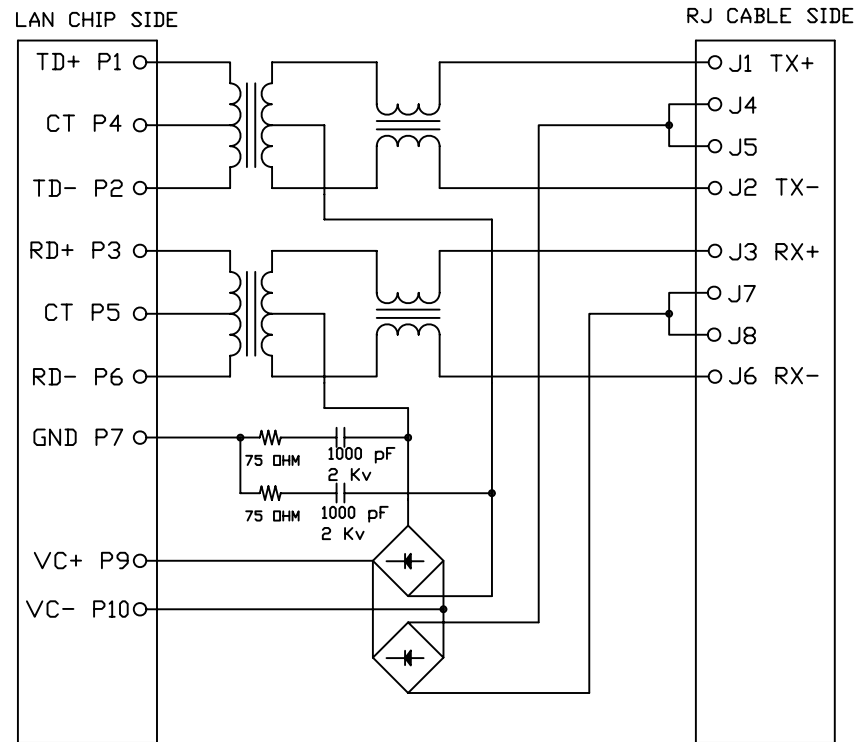
3. LED CONFIGURATION :



RoHS Compliant

| | | | | |
|--|--|--------------------------------|--------------------|--|
| | | CONNECTING THE INFORMATION AGE | | |
| | | | | X MULTIPLE ASIA 4F, No. 347, Yang Guang St., Neihu, Taipei, Taiwan 11475 |
| THIS DRAWING IS A CONTROLLED DOCUMENT. | | | | DWG NO: XPJG-01J-4-P25-110 |
| TITLE: SINGLE PORT, RJ45, SHIELDED, w/LED WITH TRANSFORMER, SIDE ENTRY PCB JACK, FOR PoE | | DRAWN: TOM | | |
| PART NO: XPJG-01J-4-P25-110 | | CHKD: TARA | | |
| | | UNIT mm[Inch] | SHEET 2 of 3 | |
| | | REV 01 | DATE: May.07,09 | |

4. SCHEMATIC:



5. ELECTRICAL CHARACTERISTICS :

TEST NOTES:(25±5°C)

1.TR:(100KHz,0.1V);

PINS:(P1-P2):(J1-J2)=1:1±3%

PINS:(P3-P6):(J3-J6)=1:1±3%

2.LX:(100KHz,100mV,8mA, DC Bias)

PINS:(P1,P2),(P3,P6)=350uH MINIMUM

3.DCR:

PINS:(J1,J2),(J3,J6)=1.2 OHMS MAXIMUM

4.HIPOT:

PINS(P1,P4,P2)TO(J1,J2)=1500VAC FOR 60 SECONDS

PINS(P3,P5,P6)TO(J3,J6)=1500VAC FOR 60 SECONDS

5.INSERTION LOSS:

-1.0dB MAXIMUM AT 0.3MHz TO 100MHz;

6.RETURN LOSS:

-20dB MINIMUM AT 1MHz TO 30MHz;

-15dB MINIMUM AT 30MHz TO 60MHz

-10dB MINIMUM AT 60MHz TO 80MHz

7.CROSS TALK:

-30dB MINIMUM AT 1MHz TO 100MHz

8.COMMON TO COMMON MODE REJECTION:

-30dB MINIMUM AT 1MHz TO 100MHz

XPJG-01J-4-P25-110

PRODUCT SERIES
XPJG LATCH DOWN WITH LED
FOR PoE TYPE

NUMBER OF PORTS
MECHANICAL TYPE
01J : 1 PORT FOR XRJF OR XRJG
W/HORIZONTAL LED PIN
W/O MODULE

LED COLOR OPTION

SPECIAL CODE
0 : STANDARD

SHIELDED TYPE
1 : Y=3.05mm, EMI FINGER
ON ALL SIDE

LED POLARITY
1 : +, -, +

CIRCUIT TYPE



RoHS Compliant

| | | | |
|--|--|--|--|
| | | CONNECTING THE INFORMATION AGE | |
| | | X MULTIPLE ASIA 4F, No. 347, Yang Guang St., Neihu, Taipei, Taiwan 11475 | |
| X MULTIPLE USA 1420 Los Angeles Ave., Suite G, Simi Valley, CA 93065 | | G/NO: | |
| THIS DRAWING IS A CONTROLLED DOCUMENT. | | | |
| TITLE: SINGLE PORT, RJ45, SHIELDED, w/LED WITH TRANSFORMER, SIDE ENTRY PCB JACK, FOR PoE | | DWG NO: XPJG-01J-4-P25-110 | |
| PART NO: XPJG-01J-4-P25-110 | | DRAWN: TOM | |
| | | CHKD: TARA | |
| UNIT: mm [inch] | | DATE: May.07,09 | |
| SHEET: 3 of 3 | | REV: 01 | |