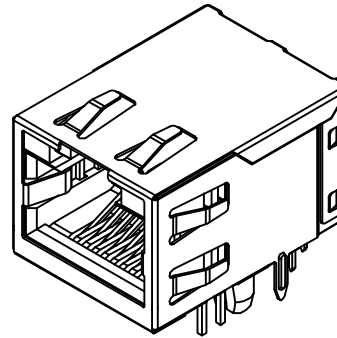
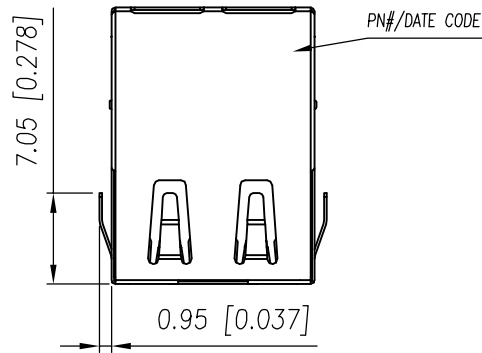
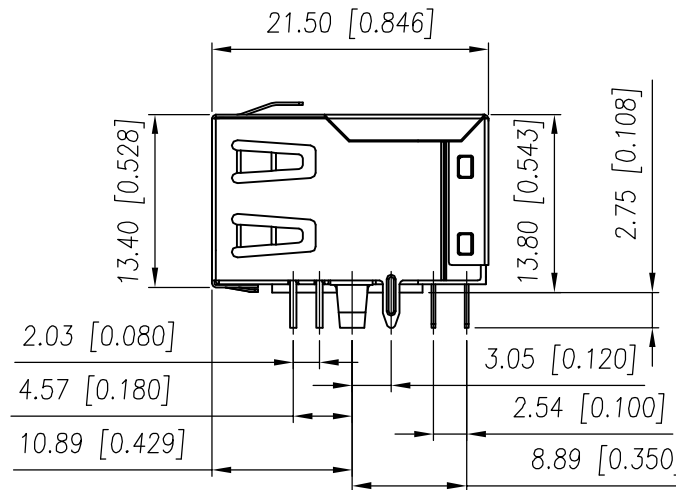
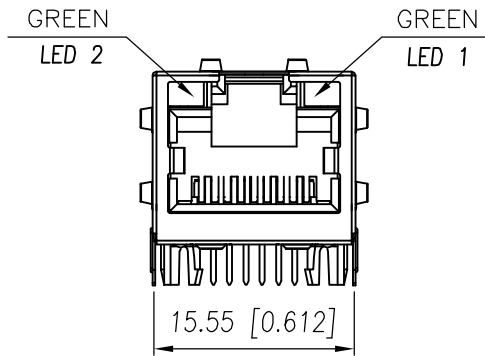


1. MECHANICAL DIMENSIONS :



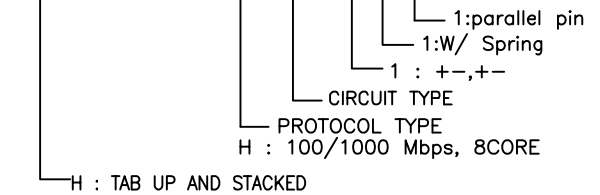
NOTES:

1. MATERIALS:
 HOUSING: HIGH TEMPERATURE PBT UL94V-0 BLACK
 CONTACTS: T=0.30PHOSPHOR BORNZE, NICKEL UNDERPLATE ON ALL AREA, TIN ON TERMINATION END, HARD GOLD PLATED ON CONTACT AREA.
 SHIELD: SUS T=0.20mm,NICKEL 50u" MIN PLATING.
2. JACK CAVITY CONFORMS TO FCC RULES AND REGULATIONS PART 68, SUBPART F

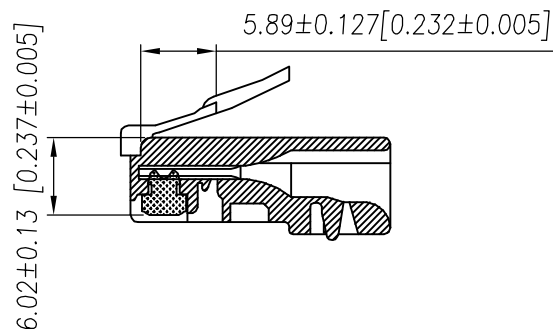


PART NO:

XMH-01-5-PL2-111-1P0



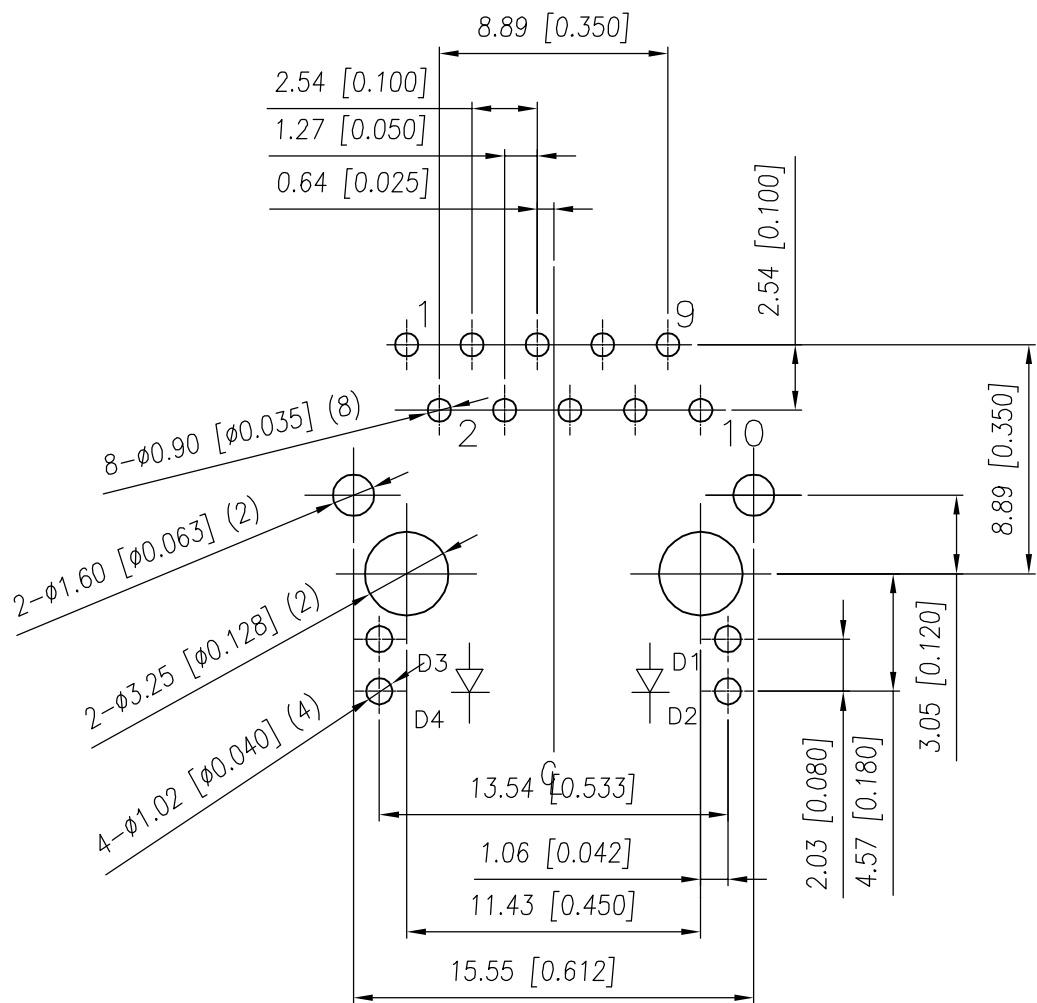
RECOMMENED PLUG DIMENSION:



RoHS Compliant

X MULTIPLE			CONNECTING THE INFORMATION AGE	
Xmultiple Technologies, Inc.1060 Los Angeles Avenue Simi Valley, CA 93065				G/NO:
THIS DRAWING IS A CONTROLLED DOCUMENT.				DWG NO: XMH-01-5-PL2-111-1P0
TITLE: RJ45 Connectors, W/LED,10P, 8C, Shielded/Thru Hole/10/100Mbps/FILTER,for PoE				DRAWN: Ivy Li
PART NO: XMH-01-5-PL2-111-1P0				CHKD: Michael
UNIT mm[inch]		SHEET 1 of 3	REV 01	DATE: 2011/11/15

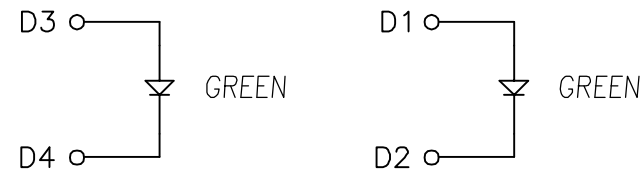
2. PCB LAYOUT



SUGGESTED PCB LAYOUT
(TOP VIEW)

DIMENSIONAL TOLERANCE: .XX ±0.05[0.001]

3. LED CONFIGURATION

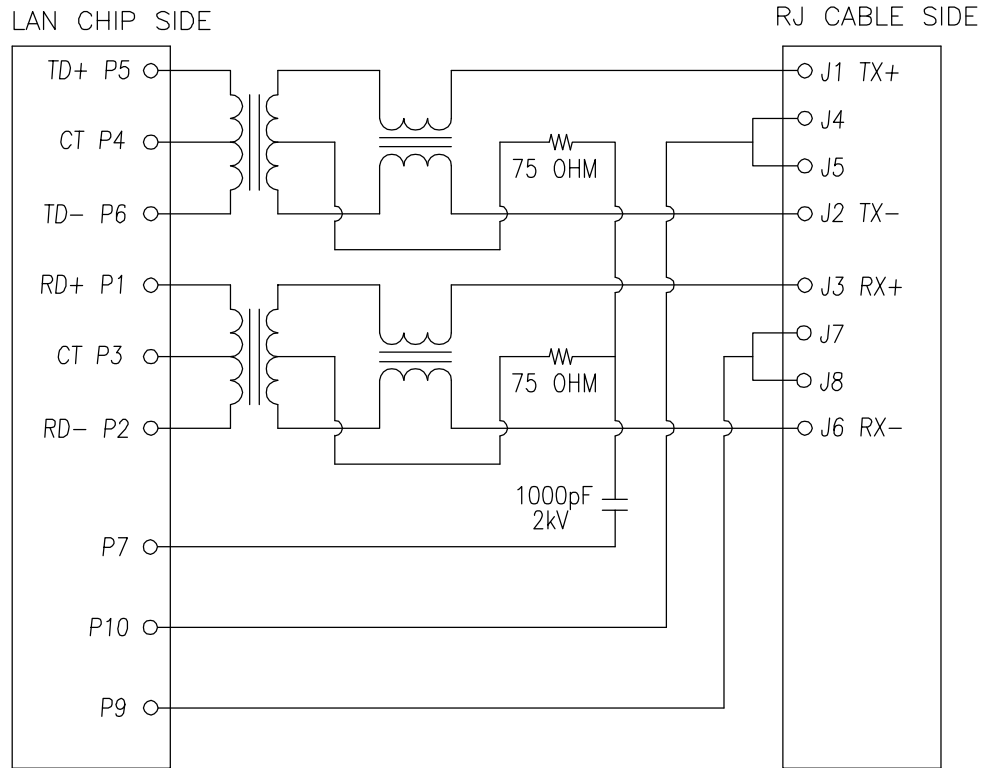


Color	Lens Color	Vf(v) @20mA		Iv(mcd) @10mA		Viewing angle
		Min	Max	Min	Typ	
Green	Green Diffused	1.7	2.8	3.5	6.0	2θ 1/2 116

RoHS Compliant

X MULTIPLE			CONNECTING THE INFORMATION AGE	
Xmultiple Technologies, Inc. 1060 Los Angeles Avenue Simi Valley, CA 93065				G/NO:
THIS DRAWING IS A CONTROLLED DOCUMENT.				DWG NO: XMH-01-5-PL2-111-1P0
TITLE: RJ45 Connectors, W/LED, 10P, 8C, Shielded/Thru Hole/10/100Mbps/FILTER, for PoE				DRAWN: Ivy Li
PART NO: XMH-01-5-PL2-111-1P0				CHKD: Michael
UNIT		SHEET	REV	DATE:
mm[inch]		2 of 3	01	2011/11/15

4. SCHMATIC :



5. ELECTRICAL CHARACTERISTICS :

TEST NOTES:(25±5°C)

1.TR:(100KHz,0.1V);

PINS:(P5-P6):(J1-J2)=1:1±3%

PINS:(P1-P2):(J3-J6)=1:1±3%

2.LX:(100KHz,100mV,8mA, DC Bias)

PINS:(P5,P6),(P1,P2)=350uH MINIMUM

3.DCR:

PINS:(J1-J2),(J3-J6)= 1.2 OHMS MAXIMUM

4.HIPOT:

PINS(P5,P4,P6)TO(J1,J2)=1500VAC FOR 60 SECONDS

PINS(P1,P3,P2)TO(J3,J6)=1500VAC FOR 60 SECONDS

5.INSERTION LOSS:

-1.0dB MAXIMUM AT 0.3MHz TO 100MHz;

6.RETURN LOSS:

-20dB MINIMUM AT 1MHz TO 30MHz;

-15dB MINIMUM AT 30MHz TO 60MHz

-10dB MINIMUM AT 60MHz TO 80MHz

7.CROSS TALK:

-30dB MINIMUM AT 1MHz TO 100MHz

8.COMMON TO COMMON MODE REJECTION:

-30dB MINIMUM AT 1MHz TO 100MHz

RoHS Compliant

X MULTIPLE			CONNECTING THE INFORMATION AGE	
Xmultiple Technologies, Inc.1060 Los Angeles Avenue Simi Valley, CA 93065				G/NO:
THIS DRAWING IS A CONTROLLED DOCUMENT.				DWG NO: XMH-01-5-PL2-111-1P0
TITLE: RJ45 Connectors, W/LED,10P, 8C, Shielded/Thru Hole/10/100Mbps/FILTER,for PoE				DRAWN: Ivy Li
PART NO: XMH-01-5-PL2-111-1P0				CHKD: Michael
		UNIT mm[inch]	SHEET 3 of 3	REV 01
				DATE: 2011/11/15