

1 2 3 4 5 6 7 8

A

A

B

B

C

C

D

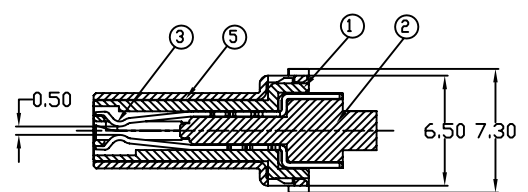
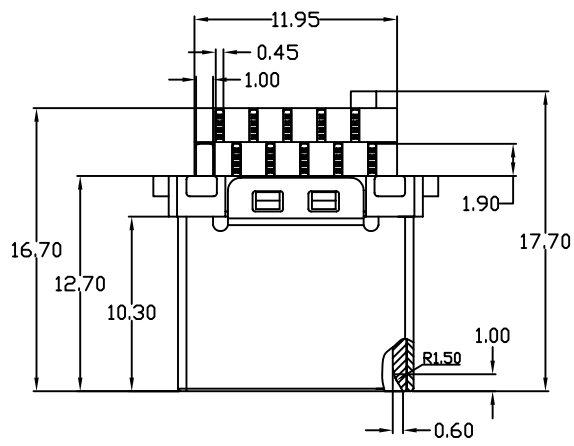
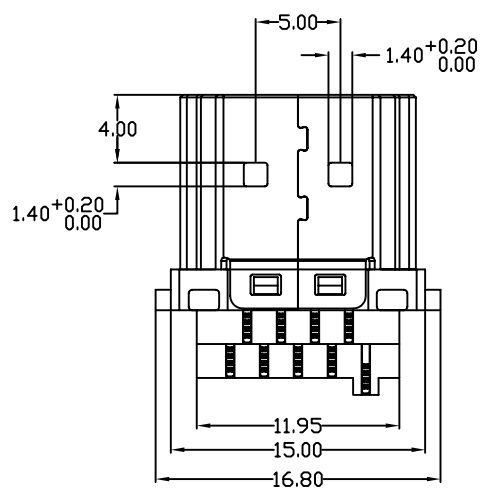
D

E

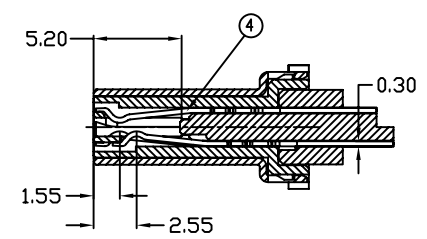
E

F

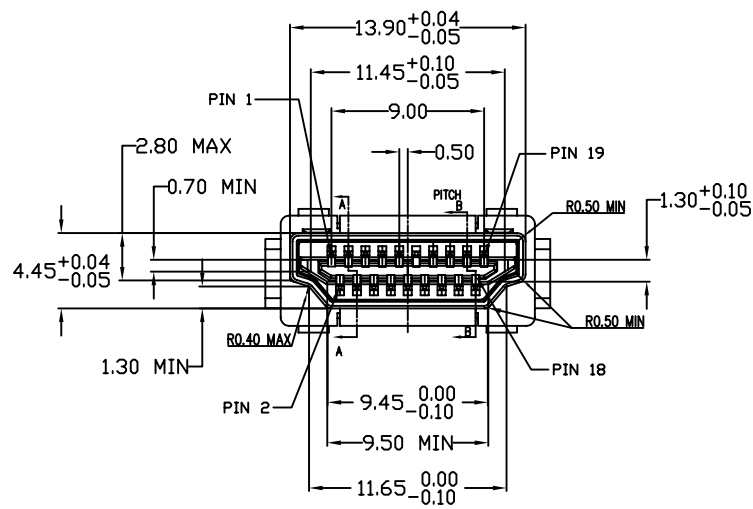
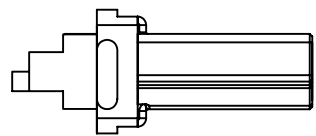
F



SECTION A-A
SCALE 1:1



SECTION B-B
SCALE 1:1



SPECIFICATION:
 CURRENT RATING: 0.5 A MAX
 VOLTAGE RATING: 40 V AC(RMS) MAX
 CONTACT RESISTANCE: 50 MΩ MAX
 DIELECTRIC WITHSTANDING VOLTAGE: 100 V(AC) FOR 1 MIN
 INSULATION RESISTANCE: 1000 MΩ MIN
 OPERATION TEMPERATURE RANGE: -25°C~85°C
 UNSPECIFIED TOLERANCE: .XX ±0.20[0.008]
 .X ±0.25[0.010]

RoHS Compliant

X MULTIPLE

THE INFORMATION AGE

5	SHELL	BRASS	NICKEL	0.40 mm	1
4	CONTACTOR-2	PHOSPHOR BRONZE	PLATED WITH 15u" GOLD	0.30 mm	10
3	CONTACTOR-1	PHOSPHOR BRONZE	PLATED WITH 15u" GOLD	0.30 mm	9
2	INSULATOR-B	PA6T+30%G.F, UL 94V-0			1
1	INSULATOR-F	PBT+30%G.F, UL 94V-0			1
No.	PART NAME	DESCRIPTION	PLATING	THICKNESS	Q'TY

XMULTIPLE ASIA 4F, No. 347, Yang Guang St., Neihu, Taipei, Taiwan 11475		XMULTIPLE USA 1420 Los Angeles Ave., Suite G, Simi Valley, CA 93065		G/NO: XHDMI-M19C0-02-0W	
THIS DRAWING IS A CONTROLLED DOCUMENT.					
TITLE: HDMI 19PIN (M) SOLDER TYPE					
PART NO: XHDMI-M19C0-02-0W					
UNIT mm[inch]		SHEET 1 of 1		REV 01	
DATE: Jul, 19, 07		CHKD: TOM		JEFF	

1 2 3 4 5 6 7 8