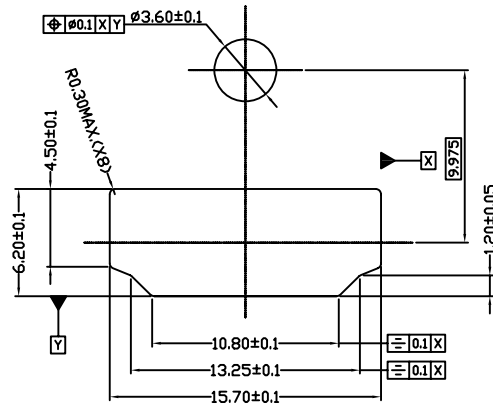
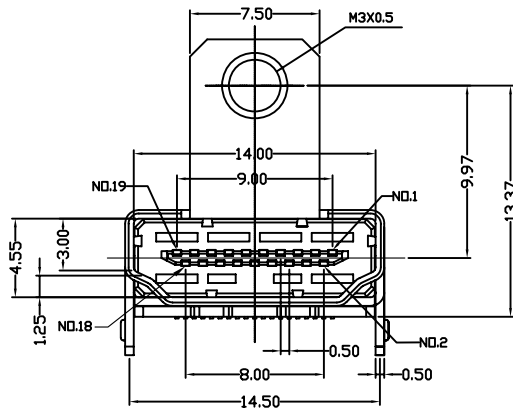
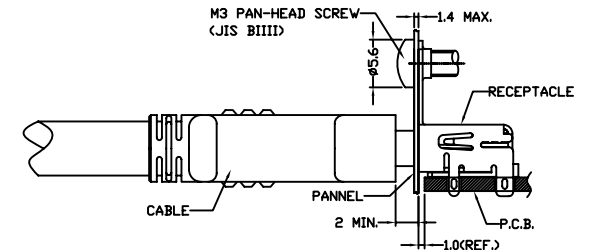


SUGGESTED PCB LAYOUT
TOP VIEW
DIMENSIONAL TOLERANCE: .XX ±0.08[0.003]



REFERENCE PANEL CUT OUT DIMENSION



REFERENCE MOUNT DIMENSION

UNSPECIFIED TOLERANCE: .XX ±0.20[0.008]
.X ±0.25[0.010]

RoHS Compliant

NO.	PART NAME.	DESCRIPTION	PLATING
3	SHELL	COPPER ALLOY	NICKEL
2	CONTACT	COPPER ALLOY	15u" GOLD
1	HOUSING	HIGH TEMPERATURE THERMOPLASTIC UL 94V-0 RATED BLACK	

X MULTIPLE		CONNECTING THE INFORMATION AGE	
X MULTIPLE ASIA 4F, No. 347, Yang Guang St., Neihu, Taipei, Taiwan 11475		X MULTIPLE ASIA 1420 Los Angeles Ave., Suite G Simi Valley, CA 93065	
THIS DRAWING IS A CONTROLLED DOCUMENT.			
TITLE: HDMI RECEPTACLE SMT WITH FLANGE 19PIN		CUSTOMER/NO:	
PART NO: XHDMI-F19S2-02-MW-END		DWG NO: XHDMI-F19S2-02-MW-END	
DRAWN: TOM		CHKD: JEFF	
DATE: Feb.27,08		REV: 02	
DIMENSIONS: mm[inch]		SHEET: 1 of 1	