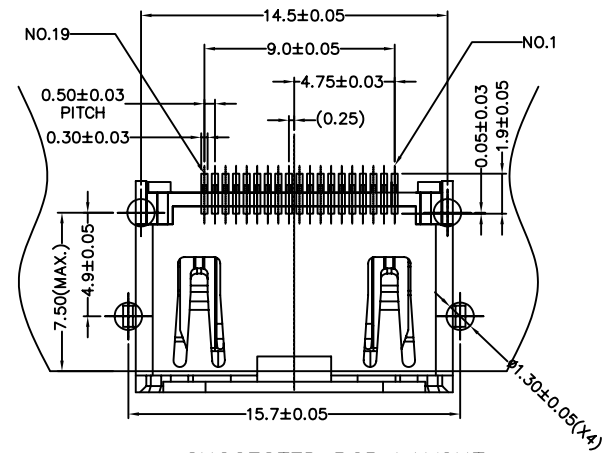
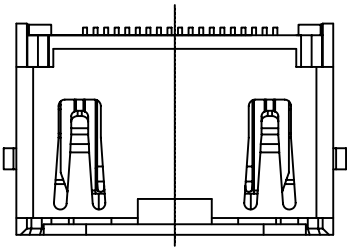


1 2 3 4 5 6 7 8

A

A

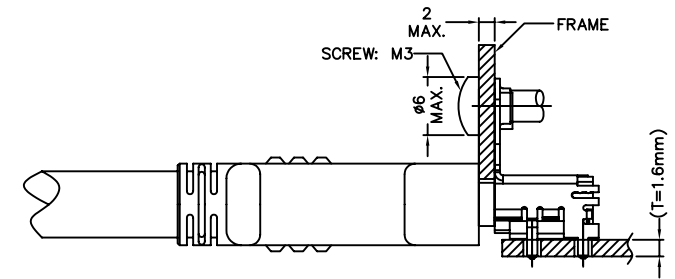
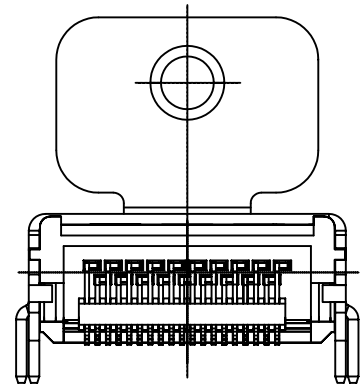
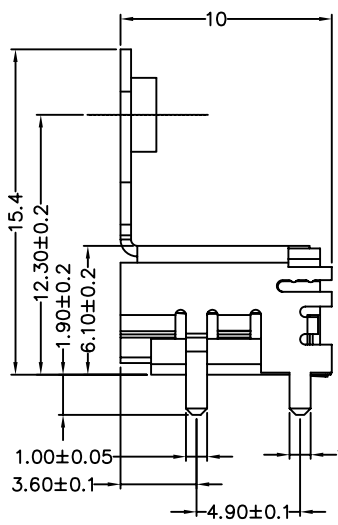
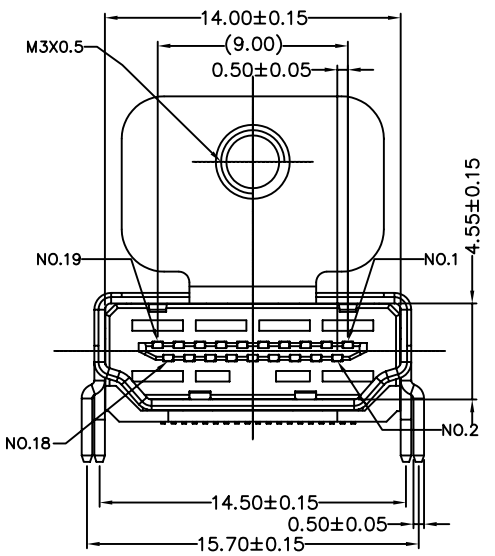


SUGGESTED PCB LAYOUT
TOP VIEW

DIMENSIONAL TOLERANCE: .XX ±0.08[0.003]

B

B



REFERENCE MOUNT DIMENSION

C

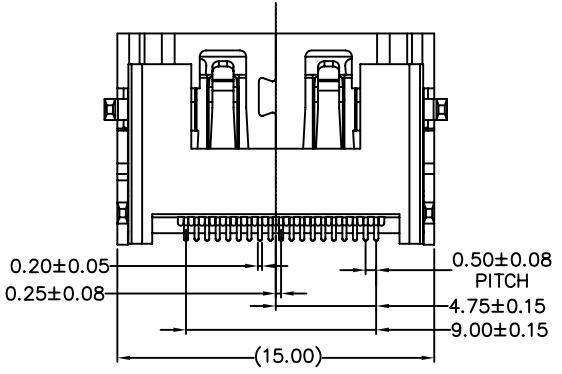
C

D

D

E

E



UNSPECIFIED TOLERANCE: .XX ±0.20[0.008]
.X ±0.25[0.010]

RoHS Compliant

		THE INFORMATION AGE		
		XMULTIPLE ASIA 4F, No. 347, Yang Guang St., Neihu, Taipei, Taiwan 11475		XMULTIPLE USA 1420 Los Angeles Ave., Suite G, Simi Valley, CA 93065
THIS DRAWING IS A CONTROLLED DOCUMENT.				
TITLE: HDMI RECEPTACLE SMT TYPE WITH FLANGE LOW PROFILE				
PART NO: XHDMI-F19S1-02-JW				
		UNIT	SHEET	REV
		mm[inch]	1 of 1	01
DATE: Jul.17,07				G/NO: DWG NO: XHDMI-F19S1-02-JW DRAWN: LEON CHKD: JEFF

F

F

NO.	PART NAME.	DESCRIPTION	PLATING	Q' TY
3	SHELL	COPPER ALLOY	NICKEL	
2	CONTACT	COPPER ALLOY	15u" GOLD	
1	HOUSING	HIGH TEMPERATURE THERMOPLASTIC UL 94V-0 RATED		

1 2 3 4 5 6 7 8