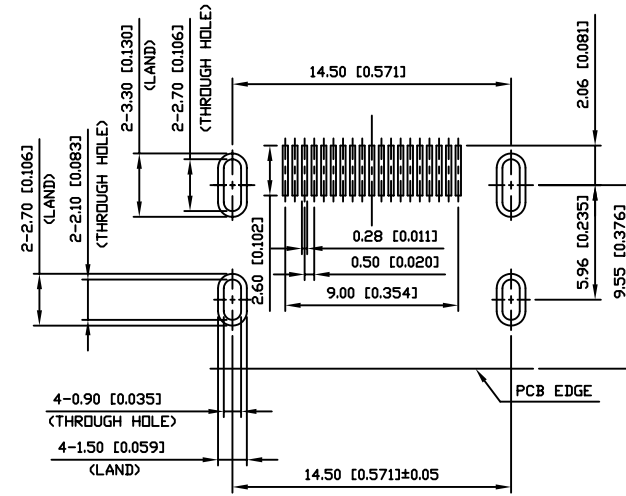
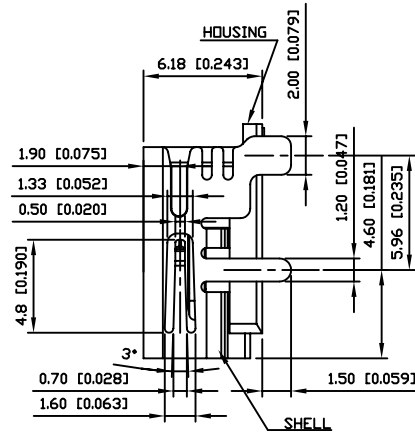
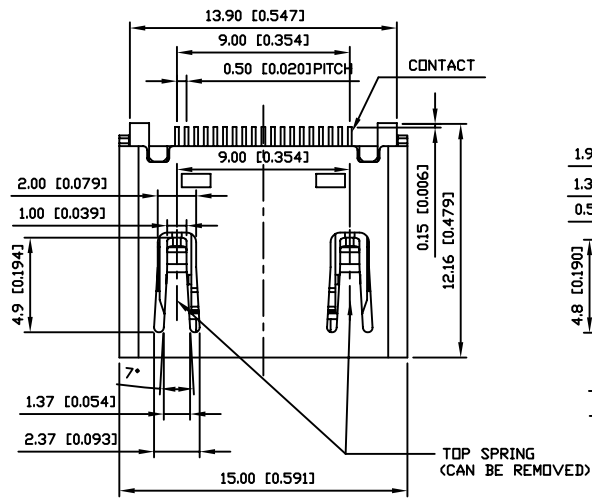
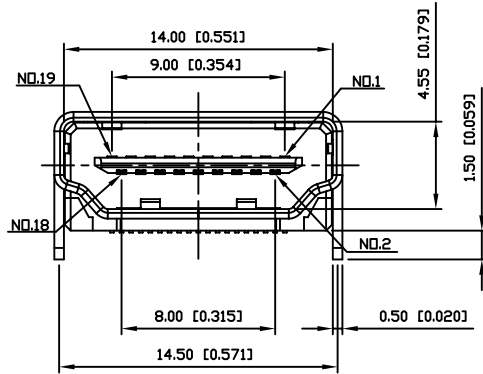


B



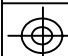
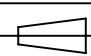
SUGGESTED PCB LAYOUT
TOP VIEW
DIMENSIONAL TOLERANCE: .XX ±0.08[0.003]



NOTES:

1. MATERIAL:
 - 1.1 HOUSING: HIGH TEMPERATURE THERMOPLASTIC
UL 94V-0 RATED
 - 1.2 CONTACT: COPPER ALLOY
2. PLATING:
 - 2.1 CONTACT:
 - 15μ" GOLD PLATED OVER NICKEL ON CONTACT AREA
AND 100μ" MIN. TIN PLATED OVER NICKEL
ON SOLDER TAILS
 - 2.2 SHELL:
 - NICKEL PLATED
3. UNSPECIFIED TOLERANCE: .XX ±0.20[0.008]
.X ±0.25[0.010]

RoHS Compliant

| | | | |
|---|--|---|-----------|
| X MULTIPLE | | THE INFORMATION AGE | |
| XMULTIPLE ASIA 4F, No. 347, Yang Guang St., Neihu, Taipei, Taiwan 11475 | | XMULTIPLE USA 1420 Los Angeles Ave., Suite G, Simi Valley, CA 93065 | |
| THIS DRAWING IS A CONTROLLED DOCUMENT. | | G/NO: | |
| TITLE: HDMI RECEPTACLE THROUGH HOLE LOW PROFILE WITH FLANGE | | DWG NO: | |
| PART NO: XHDMI-F19S0-09-MW-END | | XHDMI-F19S0-09-MW-END | |
|   | | UNIT | SHEET |
| | | mm[inch] | 1 of 1 |
| | | REV | DATE: |
| | | B | Jul.09,08 |
| | | CHKD: | TARA |