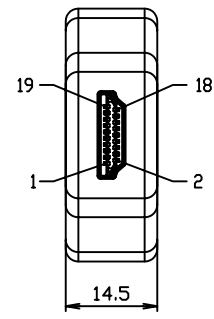
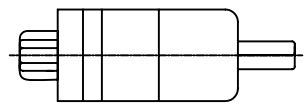
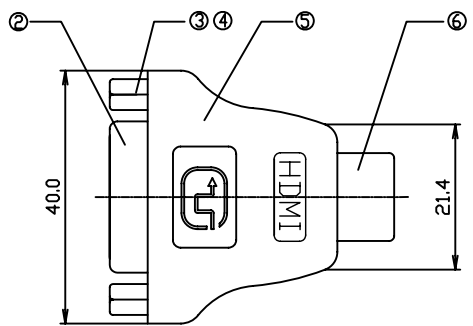
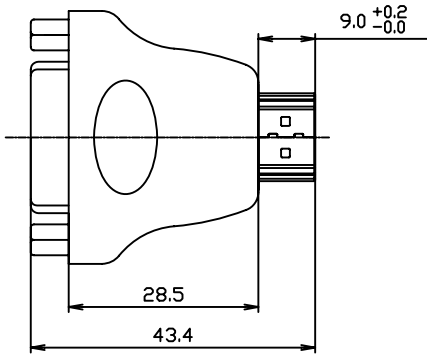


DVI-F



HDMI19-M



DVI(18+0)F	HDMI19M
1	3
2	1
3	2
6	15
7	16
9	6
10	4
11	5
14	18
15	17
16	19
17	9
18	7
19	8
22	11
23	10
24	12
SHELL	SHELL

NOTES:

- 100% OPEN/SHORT TEST
- CONTACT RESISTANCE: 2Ω
- INSULATION RESISTANCE: 10MΩ MIN  
DC 300V AT 10ms
- UNSPECIFIED TOLERANCE: .X ±0.30[0.012]

RoHS Compliant

No.	DESCRIPTION	Q'TY
6	HDMI19PIN MALE CONNECTOR: GOLD 5U", BLACK INSULATOR, PLATED SHELL	1
5	PVC MOLDED, COLOR: BLACK	
4	HDMI M/DVI F ASSEMBLY HOOD ZINC	1
3	HEX NUT #4-40UNC, Ø4.75*11.0mm	2
2	DVI FEMALE LONG TETRAGON PLATED SHELL	1
1	DVI(18+0) FEMALE CONNECTOR: G/F, BEIGE INSULATOR	1

		<small>CONNECTING THE INFORMATION AGE</small>	
<small>MULTIPLE ASIA 4F, No. 347, Yang Guang St., Neihu, Taipei, Taiwan 11475</small>		<small>MULTIPLE ASIA 1420 Los Angeles Ave., Suite G Simi Valley, CA 93065</small>	
<b>THIS DRAWING IS A CONTROLLED DOCUMENT.</b>			
<small>TITLE:</small> Adapter: DVI (18+0)F/ HDMI 19M		<small>CUSTOMER/NO:</small>	
<small>PART NO:</small> XHDMI-A1-03-W		<small>DWG NO:</small> XHDMI-A1-03-W	
		<small>DRAWN:</small> TOM	
<small>DIMENSIONS</small>		<small>CHKD:</small> JEFF	
<small>SHEET</small>		<small>DATE:</small> Jul,23,07	
<small>REVISION</small>		<small>1 of 1</small>	
<small>mm[inch]</small>		<small>01</small>	