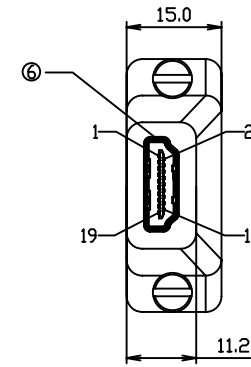
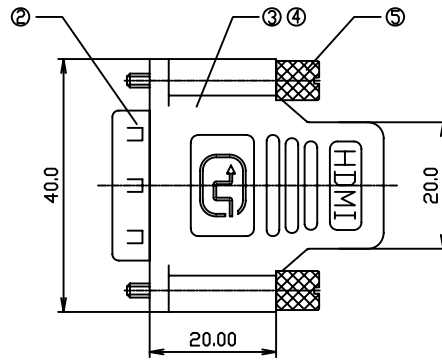
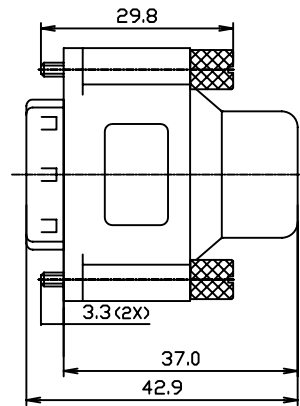
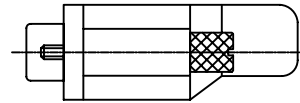


DVI-M



HDMI19-F



DVI(24+1)M	HDMI19F
1	3
2	1
3	2
6	15
7	16
9	6
10	4
11	5
14	18
15	17
16	19
17	9
18	7
19	8
22	11
23	10
24	12
SHELL	SHELL

NOTES:

- 100% OPEN/SHORT TEST
- CONTACT RESISTANCE: 2Ω
- INSULATION RESISTANCE: 10MΩ MIN  
DC 300V AT 10ms
- UNSPECIFIED TOLERANCE: .XX ±0.20[0.008]  
.X ±0.30[0.012]

RoHS Compliant

No.	DESCRIPTION	Q'TY
6	HDMI19PIN FEMALE CONNECTOR: GOLD 5U', BLACK INSULATOR, PLATED SHELL	1
5	THUMB SCREW: #4-40UNC, Ø6.2*29.8mm	2
4	HDMI F/DVI M ASSEMBLY HOOD ZINC	1
3	PVC MOLDED, COLOR: BLACK	
2	DVI MALE LONG TETRAGON PLATED SHELL	1
1	DVI(24+1) MALE CONNECTOR: G/F, BLACK INSULATOR	1

		<small>CONNECTING THE INFORMATION AGE</small>	
<small>X MULTIPLE ASIA 4F, No. 347, Yang Guang St., Neihu, Taipei, Taiwan 11475</small>		<small>X MULTIPLE ASIA 1420 Los Angeles Ave., Suite G Simi Valley, CA 93065</small>	
<b>THIS DRAWING IS A CONTROLLED DOCUMENT.</b>			
<small>TITLE:</small> Adapter: DVI (24+1)M/ HDMI 19F		<small>CUSTOMER/NO:</small>	
<small>PART NO:</small> XHDMI-A1-01-W		<small>DWG NO:</small> XHDMI-A1-01-W	
		<small>DRAWN:</small> TOM	
<small>DIMENSIONS</small> mm[inch]		<small>CHKD:</small> JEFF	
<small>SHEET</small> 1 of 1		<small>DATE:</small> Jul,23,07	
<small>REV</small> 01			