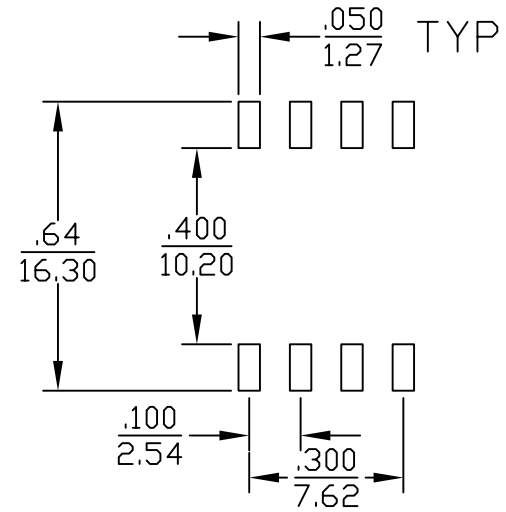
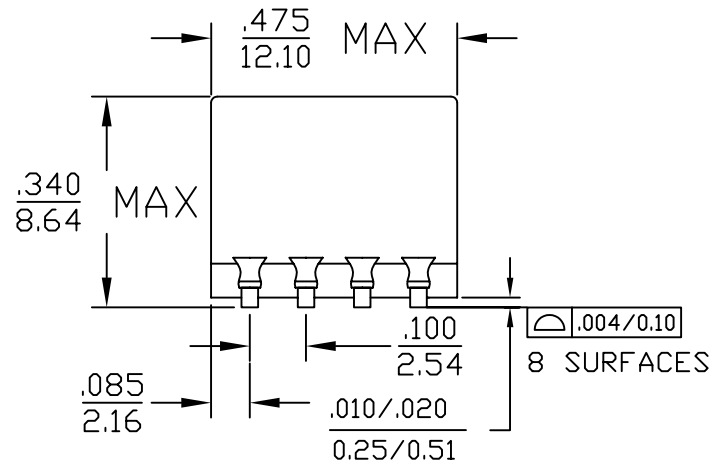
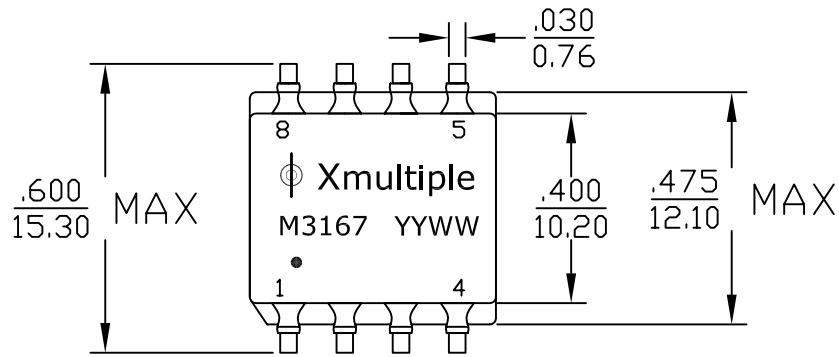
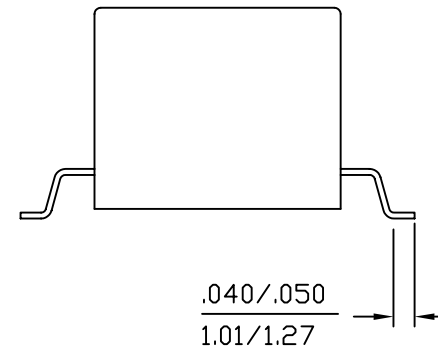


1. MECHANICAL DIMENSIONS :



SUGGESTED PAD LAYOUT

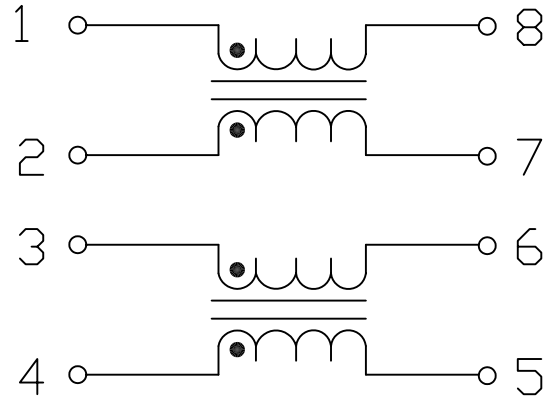


RoHS Compliant

Dimensions:Inch(mm) Tolerances:±0.01(0.25)

X MULTIPLE		THE INFORMATION AGE	
XMULTIPLE ASIA 4F, No. 347, Yang Guang St., Neihu Chiu, Taipei, Taiwan 11475		XMULTIPLE USA 1420 Los Angeles Ave., Suite G, Simi Valley, CA 93065	
THIS DRAWING IS A CONTROLLED DOCUMENT.		G/NO:	
TITLE: SURFACE MOUNT COMMON MODE CHOKE, SUITED FOR LAN AND TELECOM APPLICATIONS		DWG NO: XTFZ-M3167	
PART NO: XTFZ-M3167		DRAWN: AUSTIN	
		CHKD: JEFF	
		DATE: May.09,06	
UNIT mm(Inch J)	SHEET 1 of 2	REV 02	

2. SCHEMATIC:



3. ELECTRICAL CHARACTERISTICS :

TEST NOTES:(25±5°C)

1. TR:(100KHz,0.1V);
PINS:(1,2):(8,7)=1:1±3%
PINS:(3,4):(6,5)=1:1±3%
2. LX:(100KHz,100mV,8mA, DC Bias)
PINS:(1,2),(3,4)=100uH MIN
3. DCR:
PINS:(1,2),(3,4)=0.6 OHMS MAX
PINS:(8,7),(6,5)=0.6 OHMS MAX
4. HIPOT:
PINS:(1,2,3,4)TO(8,7,6,5)=1500VAC FOR 60 SECONDS
5. COMMON MODE ATTENUATION:
-14dB TYP AT 0.1MHz
-33dB TYP AT 1MHz
-44dB TYP AT 10MHz
-48dB TYP AT 30MHz
-49dB TYP AT 50MHz
-44dB TYP AT 100MHz
-34dB TYP AT 300MHz
-29dB TYP AT 500MHz
-20dB TYP AT 1GHz

RoHS Compliant

		THE INFORMATION AGE	
XMULTIPLE ASIA 4F, No. 347, Yang Guang St., Neihu Chiu, Taipei, Taiwan 11475		XMULTIPLE USA 1420 Los Angeles Ave., Suite G, Simi Valley, CA 93065	
THIS DRAWING IS A CONTROLLED DOCUMENT.		DWG NO: XTFZ-M3167	
TITLE: SURFACE MOUNT COMMON MODE CHOKE, SUITED FOR LAN AND TELECOM APPLICATIONS		DRAWN: AUSTIN	
PART NO: XTFZ-M3167		CHKD: JEFF	
	UNIT mm[inch] J	SHEET 2 of 2	REV 02
		DATE: May.09,06	