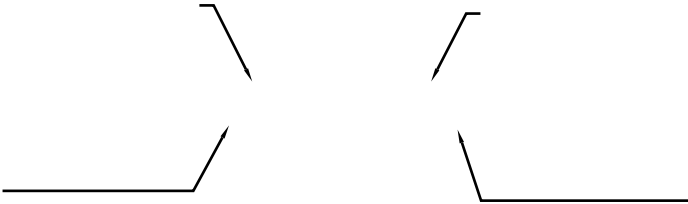
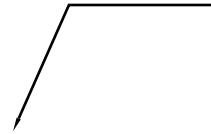


78 [0.700]

13.84 [0.545]



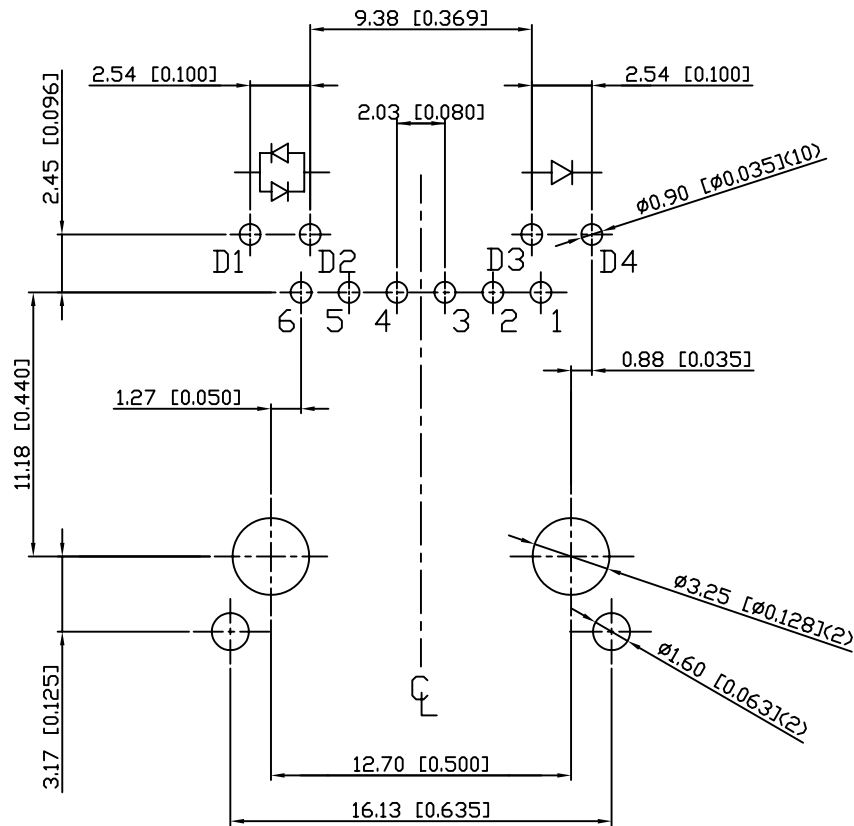
2.80 [0.110]
2.03 [0.080]
12.70 [0.500]

$\phi 3.20 \pm 0.05$ [$\phi 0.126 \pm 0.002$]
1.00 [0.039]
 $\phi 3.35 \pm 0.05$ [$\phi 0.132 \pm 0.002$]
3.30 [0.130]

RECOMMENED PLUG DIMENSION:

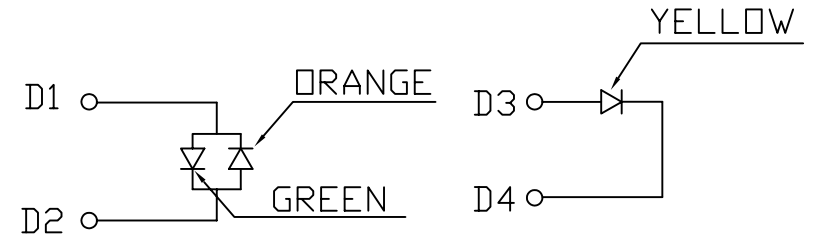
6.02±0.13 [0.237±0.005]
5.89±0.127[0.232±0.005]

2. PCB LAYOUT :



SUGGESTED PCB LAYOUT
TOP VIEW

3. LED CONFIGURATION :



Color	Lens Color	Vf(v) @20mA		Iv(mcd) @10mA		Viewing angle 2θ 1/2
		Min	Max	Min	Typ	
Orange	White Diffused	1.7	2.6	1.8	4.0	180
Green		1.7	2.6	3.0	7.0	180
Yellow	Yellow Diffused	1.7	2.8	3.0	6.0	116

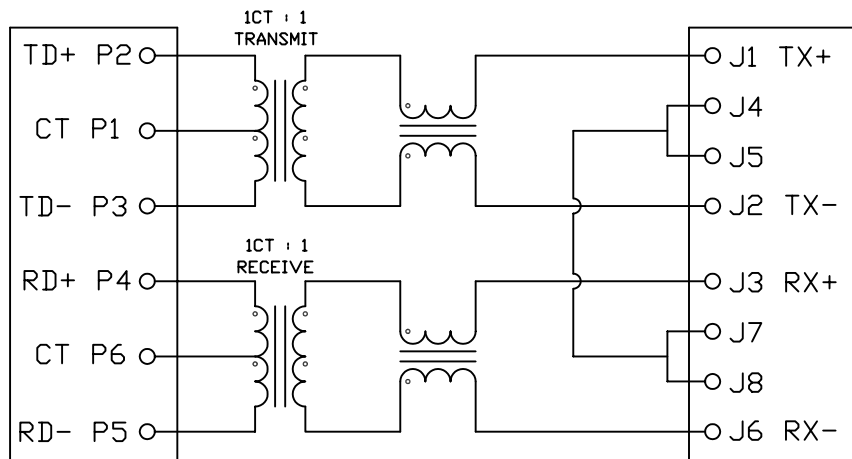
RoHS Compliant

X MULTIPLE		CONNECTING THE INFORMATION AGE	
XMULTIPLE ASIA 4F, No. 347, Yang Guang St., Neihu Chu, Taipei, Taiwan 11475		XMULTIPLE USA 1420 Los Angeles Ave., Suite G, Simi Valley, CA 93065	
G/NO:		DWG NO: XRJH-01P-N-DA4-570	
THIS DRAWING IS A CONTROLLED DOCUMENT.			
TITLE: RJ45, W/LED, with 10/100 Mbps Filter 8P,6C, Shielded, Thru Hole		DRAWN: RUNES	
PART NO: XRJH-01P-N-DA4-570		CHKD: JEFF	
	UNIT mm[inch]	SHEET 2 of 3	REV 01
		DATE: Apr.24,06	

4. SCHEMATIC:

CONNECTOR SOLDER SIDE

RJ45 CONTACT SIDE



5. ELECTRICAL CHARACTERISTICS :

TEST NOTES:(25±5°C)

1.TR:(100KHz,0.1V);

PINS:(P2-P3):(J1-J2)=1:1±3%

PINS:(P4-P5):(J3-J6)=1:1±3%

2.LX:(100KHz,100mV,8mA, DC Bias)

PINS: (P2,P3),(P4,P5)=350uH MINIMUM

3.DCR:

PINS:(P2-P3),(J1-J2),(J3-J6)= 1.0 OHMS MAXIMUM

PINS:(P4-P5)=1.2 OHMS MAXIMUM

4.HIPOT:

PINS(P2,P1,P3)TO(J1,J2)=1500VAC FOR 60 SECONDS

PINS(P4,P6,P5)TO(J3,J6)=1500VAC FOR 60 SECONDS

5.INSERTION LOSS:

-1.0dB MAXIMUM AT 0.3MHz TO 100MHz;

6.RETURN LOSS:

-20dB MINIMUM AT 1MHz TO 30MHz;

-15dB MINIMUM AT 30MHz TO 60MHz

-10dB MINIMUM AT 60MHz TO 80MHz

7.CROSS TALK:

-30dB MINIMUM AT 1MHz TO 100MHz

8.COMMON TO COMMON MODE REJECTION:

-30dB MINIMUM AT 1MHz TO 100MHz

XRJH-01P-N-DA4-570

PRODUCT SERIES

H : TAB UP AND STACKED

NUMBER OF PORTS

MECHANICAL TYPE
01P : XRJH 1 PORT, LENGTH=25.53mm,
STRAIGHT PINS

LED COLOR OPTION

PROTOCOL TYPE

D : 10/100 Mbps, 4 CORE

SPECIAL CODE

0 : STANDARD

SHIELDED TYPE

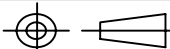
7 : EMI FINGER ON ALL SIDE

LED POLARITY

5 : BI-COLOR, +-

CIRCUIT TYPE

RoHS Compliant

X MULTIPLE		CONNECTING THE INFORMATION AGE	
X MULTIPLE ASIA 4F, No. 347, Yang Guang St., Neihu Chu, Taipei, Taiwan 11475		X MULTIPLE USA 1420 Los Angeles Ave., Suite G, Simi Valley, CA 93065	
THIS DRAWING IS A CONTROLLED DOCUMENT.		G/NO:	
TITLE: RJ45, W/LED, with 10/100 Mbps Filter 8P,6C, Shielded, Thru Hole		DWG NO: XRJH-01P-N-DA4-570	
PART NO: XRJH-01P-N-DA4-570		DRAWN: RUNES	
		CHKD: JEFF	
		UNIT	SHEET
		mm[inch]	3 of 3
		REV	DATE
		01	Apr.24,06