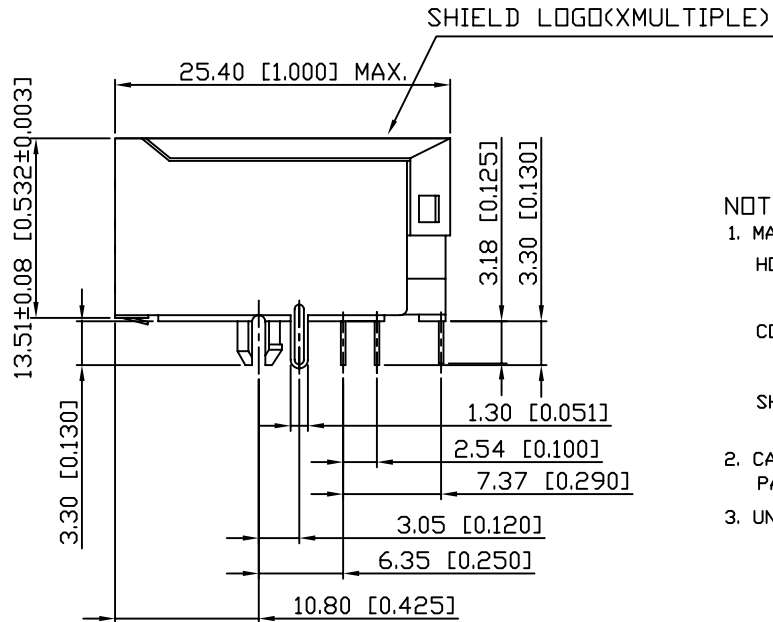
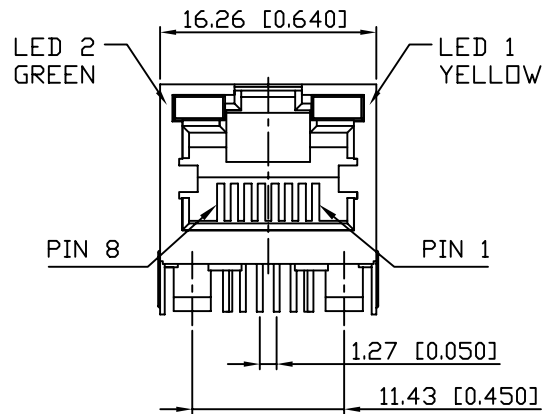
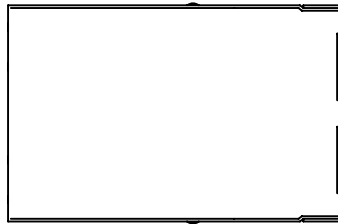


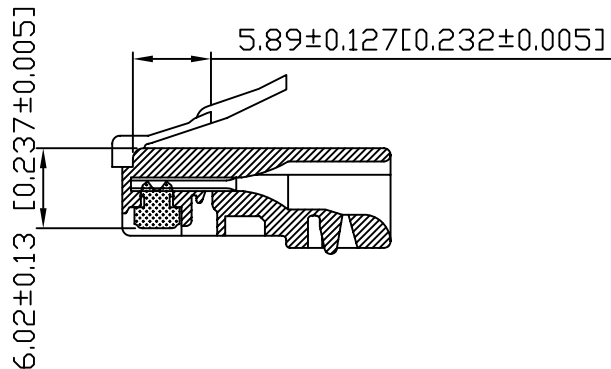
1. MECHANICAL DIMENSIONS :



NOTES:

- MATERIAL:
HOUSING-NYLON POLYESTER UL94V-0
MIXED GLASS FIBER,
STANDARD COLOR-BLACK
CONTACTS-0.35mm THICK PHOS-BRONZE PLATED
WITH 30u" GOLD AND TIN IN
SOLDER AREA.
SHIELD-0.20mm THICK COPPER ALLOY,
PLATED WITH NICKEL.
- CAVITY CONFIRMS TO FCC RULES AND REGULATIONS
PART 68,SUBPART F.
- UNSPECIFIED TOLERANCE: XX ±0.25
X ±0.30

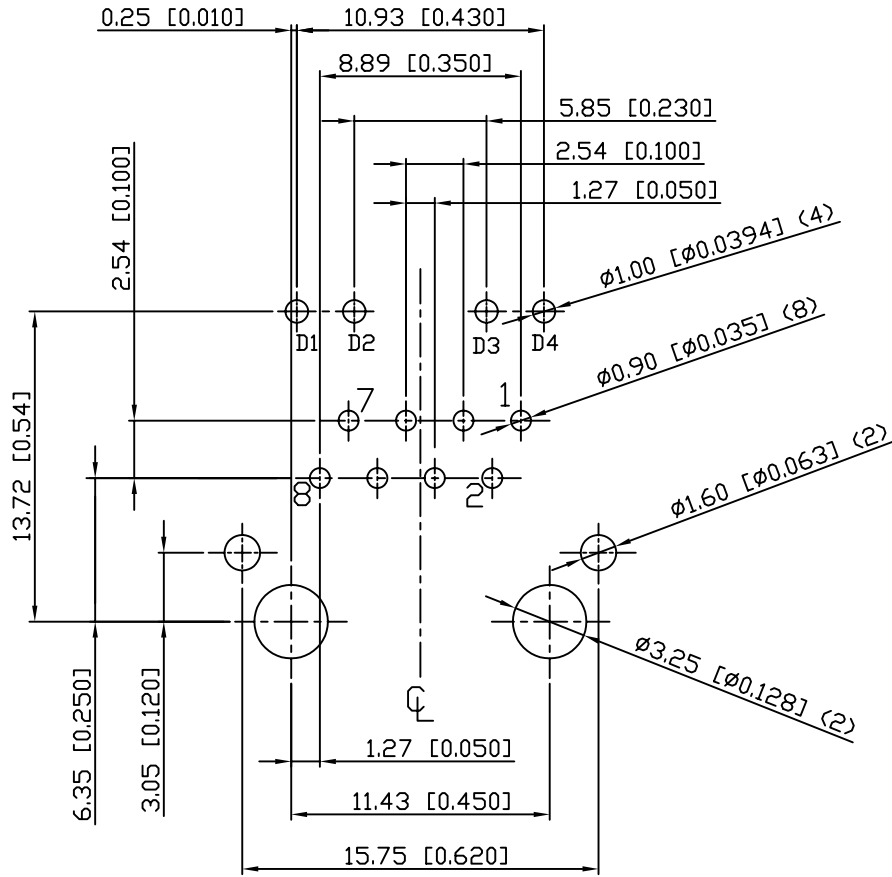
RECOMMENED PLUG DIMENSION:



RoHS Compliant

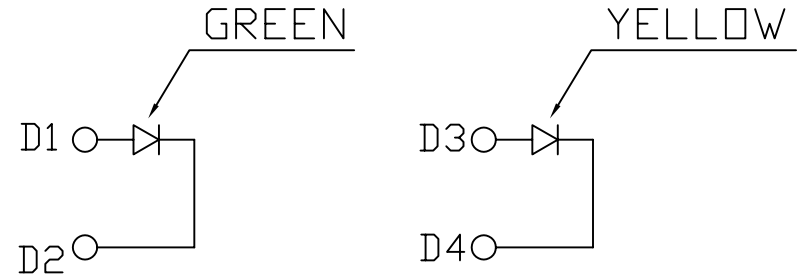
X MULTIPLE		CONNECTING THE INFORMATION AGE	
XMULTIPLE ASIA 4F, No. 347, Yang Guang St., Neihu Chu, Taipei, Taiwan 11475		XMULTIPLE USA 1420 Los Angeles Ave., Suite G, Simi Valley, CA 93065	
THIS DRAWING IS A CONTROLLED DOCUMENT.		G/NO:	
TITLE: RJ45, W/LED, with 10/100 Mbps Filter 8P,8C, Shielded, Thru Hole.		DWG NO: XRJH-01D-4-D35-280	
PART NO: XRJH-01D-4-D35-280		DRAWN: RUNES	
		CHKD: JEFF	
		DATE: Apr.21,06	
UNIT mm[inch]		SHEET 1 of 3	REV 01

2. PCB LAYOUT :



SUGGESTED PCB LAYOUT
(TOP VIEW)

3. LED CONFIGURATION :

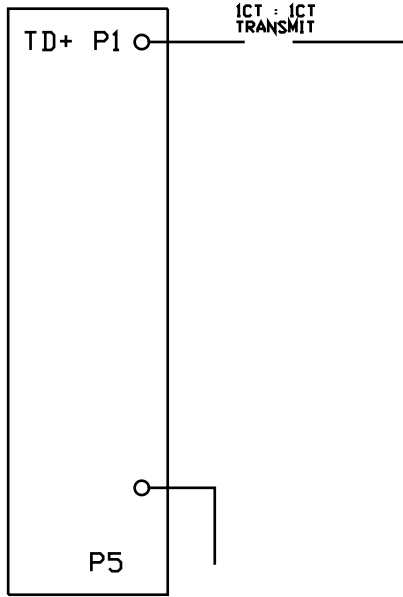


Color	Lens Color	Vf(v) @20mA		Iv(mcd) @10mA		Viewing angle
		Min	Max	Min	Typ	
Yellow	Yellow Diffused	1.7	2.8	3.0	6.0	2θ 1/2
Green	Green Diffused	1.7	2.8	3.5	6.0	116

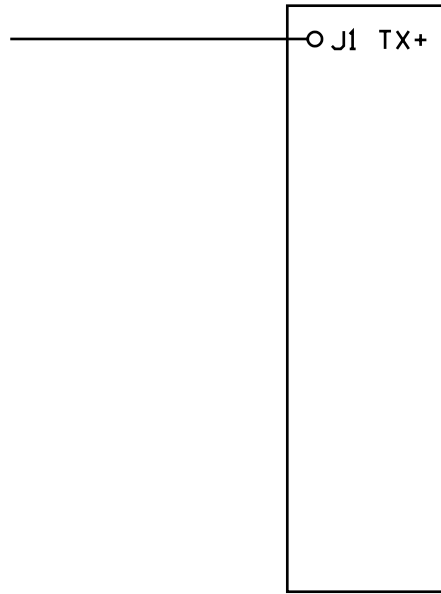
RoHS Compliant

X MULTIPLE		CONNECTING THE INFORMATION AGE	
X MULTIPLE ASIA 4F, No. 347, Yang Guang St., Neihu Chiu, Taipei, Taiwan 11475		X MULTIPLE USA 1420 Los Angeles Ave., Suite G, Simi Valley, CA 93065	
THIS DRAWING IS A CONTROLLED DOCUMENT.		G/NO:	
TITLE: RJ45, W/LED, with 10/100 Mbps Filter 8P,8C, Shielded, Thru Hole.		DWG NO: XRJH-01D-4-D35-280	
PART NO: XRJH-01D-4-D35-280		DRAWN: RUNES	
		CHKD: JEFF	
		DATE: Apr.21,06	
UNIT mm[inch]	SHEET 2 of 3	REV 01	

CONNECTOR SOLDER SIDE



RJ45 CONTACT SIDE



TEST NOTES:(25±5°C)

1.TR:(100KHz,0.1V);

PINS:(P1-P2):(J1-J2)=1:1±3%

2.LX:(100KHz,100mV,8mA, DC Bias)

PINS: (P1,P2),(P7,P8)=350uH MINIMUM

3.DCR:

PINS:(P7-P8)=1.2 OHMS MAXIMUM

4.HIPOT:

5.INSERTION LOSS:

MAXIMUM

2 : +- , +-

<h1>X MULTIPLE</h1>		CONNECTING THE INFORMATION AGE	
X MULTIPLE ASIA 4F. No. 347, Yang Guang St. Neihu Dist., Taipei, Taiwan 11475		X MULTIPLE USA 1420 Los Angeles Ave., Suite G. San Valley, CA 93065	
THIS DRAWING IS A CONTROLLED DOCUMENT.		G/NO:	
TITLE: RJ45, W/LED, with 10/100 Mbps Filter 8P,8C, Shielded, Thru Hole.		DWG NO: XRJH-01D-4-D35-280	
PART NO: XRJH-01D-4-D35-280		DRAWN: RUNES	
		CHKD: JEFF	
		DATE: Apr.21,06	
UNIT	SHEET	REV	
mm/inch 1	3 of 3	01	