

NOTES:

1. MATERIAL:

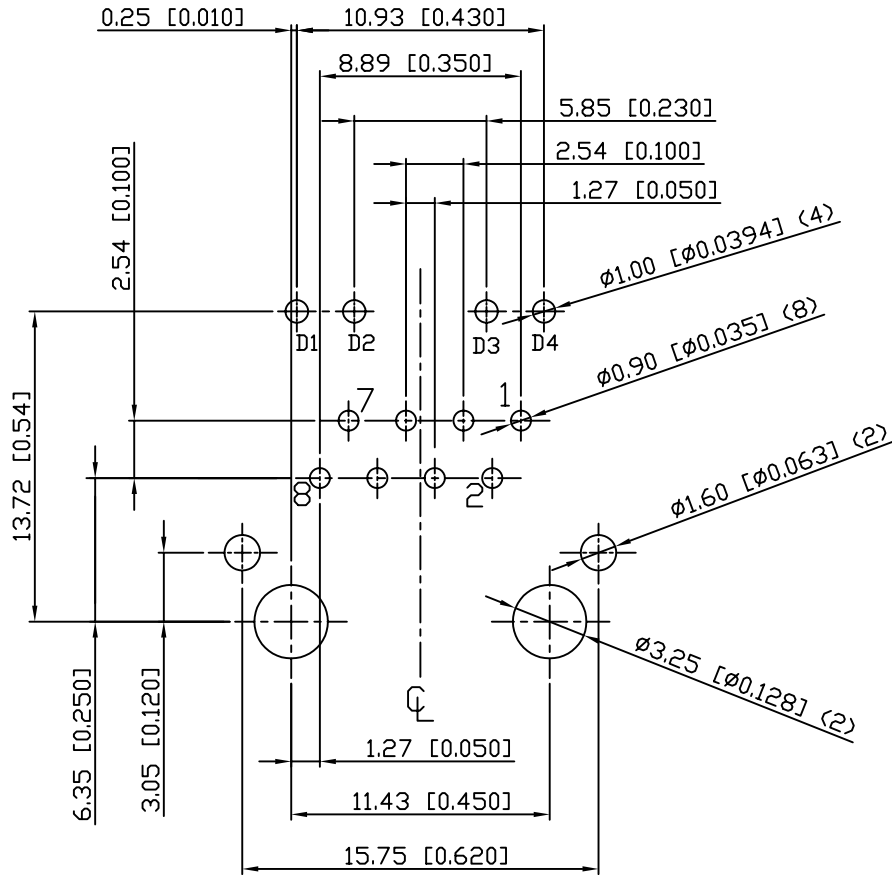
HOUSING-NYLON POLYESTER UL94V-0
 MIXED GLASS FIBER.
 STANDARD COLOR-BLACK
 CONTACTS-0.35mm THICK PHOS-BRONZE PLATED
 WITH 30 μ GOLD AND TIN IN
 SOLDER AREA.
 SHIELD-0.20mm THICK COPPER ALLOY,
 PLATED WITH NICKEL.

**2. CAVITY CONFIRMS TO FCC RULES AND REGULATIONS
 PART 68,SUBPART F.**

**3. UNSPECIFIED TOLERANCE: .XX \pm 0.25
 .X \pm 0.30**

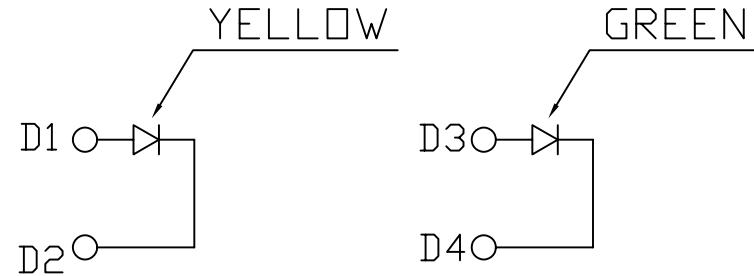
SION:

2. PCB LAYOUT :



SUGGESTED PCB LAYOUT
(TOP VIEW)

3. LED CONFIGURATION :

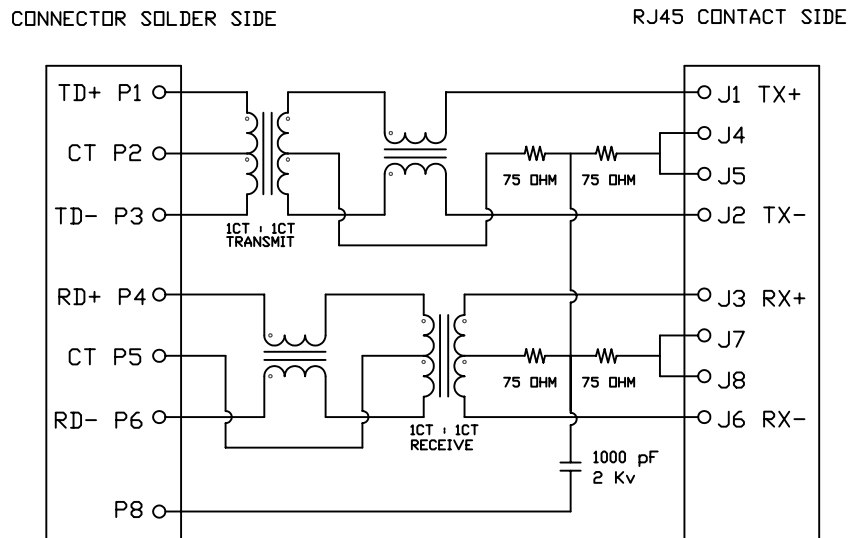


Color	Lens Color	Vf(v) @20mA		Iv(mcd) @10mA		Viewing angle
		Min	Max	Min	Typ	
Yellow	Yellow Diffused	1.7	2.8	3.0	6.0	2θ 1/2
Green	Green Diffused	1.7	2.8	3.5	6.0	116

RoHS Compliant

X MULTIPLE		CONNECTING THE INFORMATION AGE	
X MULTIPLE ASIA 4F, No. 347, Yang Guang St., Neihu Chu, Taipei, Taiwan 11475		X MULTIPLE USA 1420 Los Angeles Ave., Suite G, Simi Valley, CA 93065	
THIS DRAWING IS A CONTROLLED DOCUMENT.		G/NO:	
TITLE: RJ45, W/LED, with 10/100 Mbps Filter 8P,8C, Shielded, Thru Hole.		DWG NO: XRJH-01D-1-D1H-180	
PART NO: XRJH-01D-1-D1H-180		DRAWN: RUNES	
		CHKD: JEFF	
		DATE: Apr.21,06	
UNIT mm[inch]	SHEET 2 of 3	REV 01	

4. SCHEMATIC :



5. ELECTRICAL CHARACTERISTICS :

- TEST NOTES:(25±5°C)
- TR:(100KHz,0.1V);
PINS:(P1-P3):(J1-J2)=1:1±3%
PINS:(P4-P6):(J3-J6)=1:1±3%
 - LX:(100KHz,100mV,8mA, DC Bias)
PINS: (P1,P3),(P4,P6)=350uH MINIMUM
 - DCR:
PINS:(P1-P3),(J1-J2),(J3-J6)= 1.0 OHMS MAXIMUM
PINS:(P4-P6)=1.2 OHMS MAXIMUM
 - HIPOT:
PINS(P1,P2,P3)TO(J1,J2)=1500VAC FOR 60 SECONDS
PINS(P4,P5,P6)TO(J3,J6)=1500VAC FOR 60 SECONDS
 - INSERTION LOSS:
-1.0dB MAXIMUM AT 0.3MHz TO 100MHz;
 - RETURN LOSS:
-20dB MINIMUM AT 1MHz TO 30MHz;
-15dB MINIMUM AT 30MHz TO 60MHz
-10dB MINIMUM AT 60MHz TO 80MHz
 - CROSS TALK:
-30dB MINIMUM AT 1MHz TO 100MHz
 - COMMON TO COMMON MODE REJECTION:
-30dB MINIMUM AT 1MHz TO 100MHz

XRJH-01D-1-D1H-180

PRODUCT SERIES
XRJH : TAB UP AND STACKED

NUMBER OF PORTS
MECHANICAL TYPE
01D : XRJH 1 PORT, LENGTH=25.4mm,
STAGGERED PINS

LED COLOR OPTION

PROTOCOL TYPE
D : 10/100 Mbps, 4 CORE

SPECIAL CODE
0 : STANDARD

SHIELDED TYPE
8 : NON-EMI FINGER

LED POLARITY
1 : +-, +-

CIRCUIT TYPE

RoHS Compliant

X MULTIPLE		CONNECTING THE INFORMATION AGE	
MULTIPLE ASIA 4F, No. 347, Yang Guang St., Neihu Chu, Taipei, Taiwan 11475		MULTIPLE USA 1420 Los Angeles Ave., Suite G, Simi Valley, CA 93065	
THIS DRAWING IS A CONTROLLED DOCUMENT.		DWG NO: XRJH-01D-1-D1H-180	
TITLE: RJ45, W/LED, with 10/100 Mbps Filter 8P,8C, Shielded, Thru Hole.		DRAWN: RUNES	
PART NO: XRJH-01D-1-D1H-180		CHKD: JEFF	
		UNIT mm[inch]	SHEET 3 of 3
		REV 01	DATE: Apr.21,06