

**NOTES:**

**1. MATERIAL:**

HOUSING-NYLON POLYESTER UL94V-0  
 MIXED GLASS FIBER.  
 STANDARD COLOR-BLACK  
 CONTACTS-0.35mm THICK PHOS-BRONZE PLATED  
 WITH 30u" GOLD AND TIN IN  
 SOLDER AREA.  
 SHIELD-0.20mm THICK COPPER ALLOY,  
 PLATED WITH NICKEL.

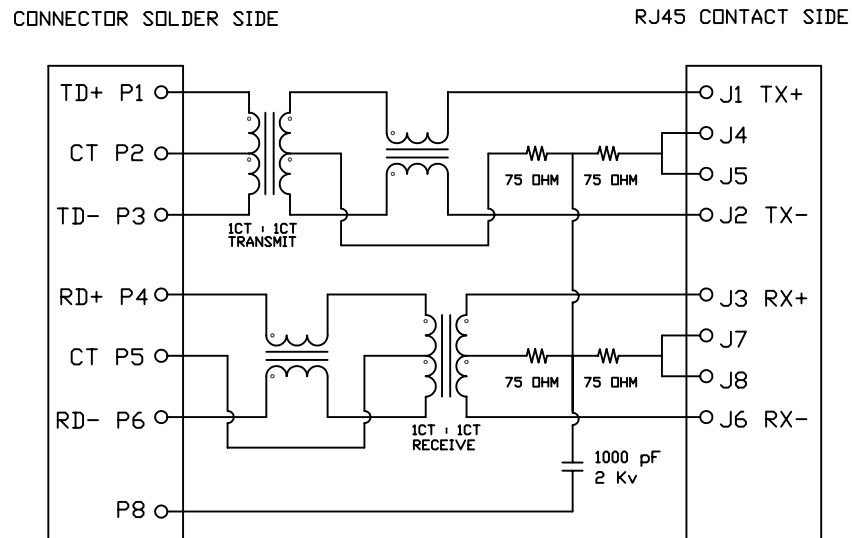
**2. CAVITY CONFIRMS TO FCC RULES AND REGULATIONS  
 PART 68,SUBPART F.**

**3. UNSPECIFIED TOLERANCE: .XX ±0.25  
 .X ±0.30**

CN:



#### 4. SCHEMATIC :



#### 5. ELECTRICAL CHARACTERISTICS :

- TEST NOTES:(25±5°C)
- TR:(100KHz,0.1V);  
PINS:(P1-P3):(J1-J2)=1:1±3%  
PINS:(P4-P6):(J3-J6)=1:1±3%
  - LX:(100KHz,100mV,8mA, DC Bias)  
PINS: (P1,P3),(P4,P6)=350uH MINIMUM
  - DCR:  
PINS:(P1-P3),(J1-J2),(J3-J6)= 1.0 OHMS MAXIMUM  
PINS:(P4-P6)=1.2 OHMS MAXIMUM
  - HIPOT:  
PINS(P1,P2,P3)TO(J1,J2)=1500VAC FOR 60 SECONDS  
PINS(P4,P5,P6)TO(J3,J6)=1500VAC FOR 60 SECONDS
  - INSERTION LOSS:  
-1.0dB MAXIMUM AT 0.3MHz TO 100MHz;
  - RETURN LOSS:  
-20dB MINIMUM AT 1MHz TO 30MHz;  
-15dB MINIMUM AT 30MHz TO 60MHz  
-10dB MINIMUM AT 60MHz TO 80MHz
  - CROSS TALK:  
-30dB MINIMUM AT 1MHz TO 100MHz
  - COMMON TO COMMON MODE REJECTION:  
-30dB MINIMUM AT 1MHz TO 100MHz

**XRJH-01D-1-D1H-170**

PRODUCT SERIES  
XRJH : TAB UP AND STACKED

NUMBER OF PORTS  
MECHANICAL TYPE  
01D : XRJH 1 PORT, LENGTH=25.4mm,  
STAGGERED PINS

LED COLOR OPTION

PROTOCOL TYPE  
D : 10/100 Mbps, 4 CORE

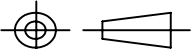
SPECIAL CODE  
0 : STANDARD

SHIELDED TYPE  
7 : EMI FINGER ON ALL SIDE

LED POLARITY  
1 : +-, +-

CIRCUIT TYPE

# RoHS Compliant

<b>X MULTIPLE</b>		CONNECTING THE INFORMATION AGE	
MULTIPLE ASIA 4F, No. 347, Yang Guang St., Neihu Chu, Taipei, Taiwan 11475		MULTIPLE USA 1420 Los Angeles Ave., Suite G, Simi Valley, CA 93065	
THIS DRAWING IS A CONTROLLED DOCUMENT.		DWG NO: XRJH-01D-1-D1H-170	
TITLE: RJ45, W/LED, with 10/100 Mbps Filter 8P,8C, Shielded, Thru Hole.		DRAWN: RUNES	
PART NO: XRJH-01D-1-D1H-170		CHKD: JEFF	
		UNIT mm[inch]	SHEET 3 of 3
		REV 01	DATE: Apr.21,06