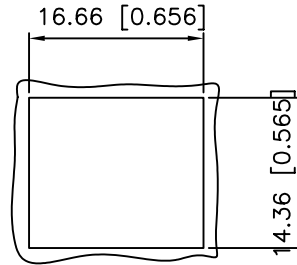
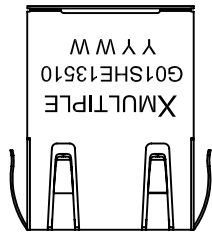
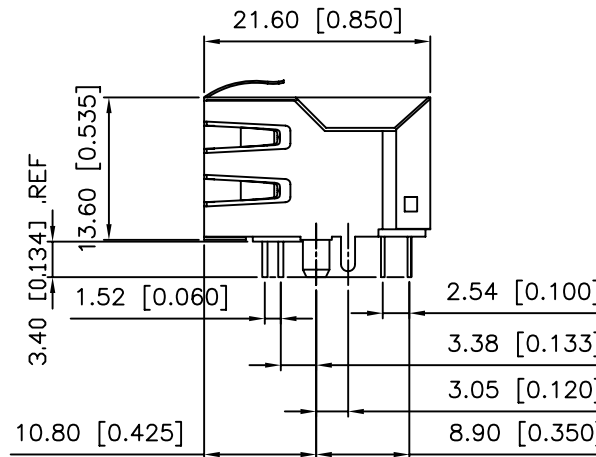
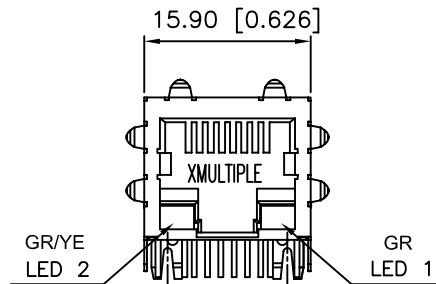


1. MECHANICAL DIMENSIONS :



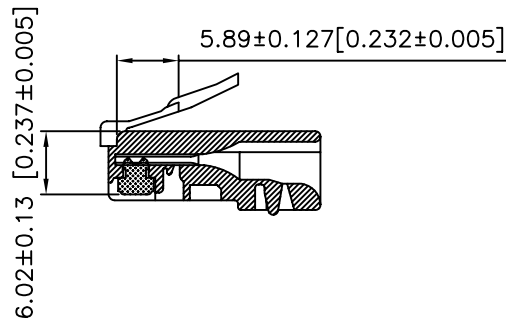
RECOMMENDED
PANEL CUTOUT DIMENSION



NOTES:

1. MATERIALS:
HOUSING—NYLON POLYESTER UL94V-0
MIXED GLASS FIBER.
STANDARD COLOR—BLACK.
CONTACTS —0.35mm THICK PHOS-BRONZE PLATED
WITH 30u" AND TIN
IN SOLDER AREA.
SHIELD—0.25mm THICK COPPER ALLOY,
PLATED WITH NICKEL.
2. CAVITY CONFIRMS TO FCC RULES AND REGULATIONS
PART 68,SUBPART F.
3. REFLOW SOLDERING TEMPERATURE 260°C FOR LOSE.
(BECAUSE OF PIN IN PASTE PROCESS)
4. RETENTION PERIOD ABOVE 217°C FOR 60Sec.
5. UNSPECIFIED TOLERANCE: .XX ±0.25[0.010]
.X ±0.30[0.012]

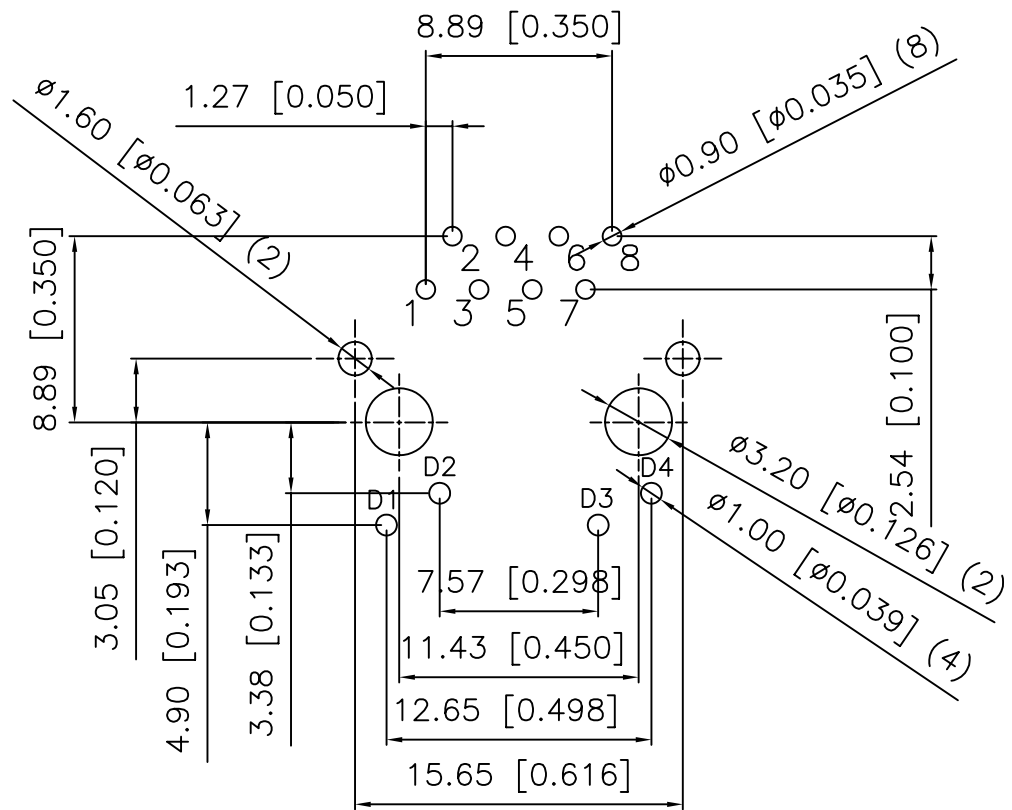
RECOMMENED PLUG DIMENSION:



RoHS Compliant

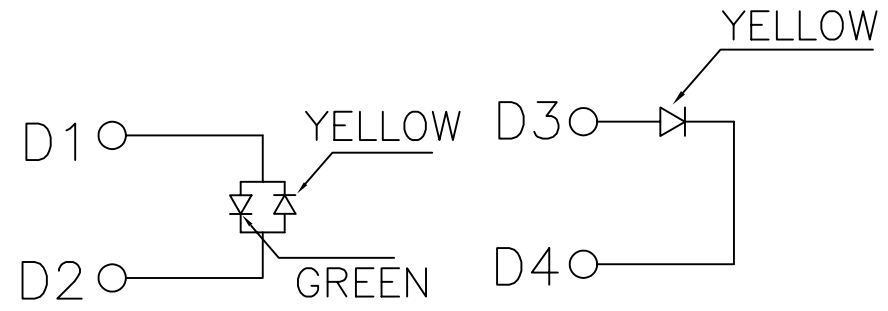
XMULTIPLE		CONNECTING THE INFORMATION AGE	
XMULTIPLE ASIA 4F, No. 347, Yang Guang St., Neihu Chiu, Taipei, Taiwan 11475		XMULTIPLE USA 1420 Los Angeles Ave., Suite G, Simi Valley, CA 93065	
THIS DRAWING IS A CONTROLLED DOCUMENT.		G/NO:	
TITLE: RJ45 Connectors, W/LED, 8P, 8C, Shielded/Thru Hole/10/100 Mbps FILTER		DWG NO: XRJG-01S-H-E13-510	
PART NO: XRJG-01S-H-E13-510		DRAWN: AUSTIN	
		UNIT	SHEET
		mm[inch]	1 of 3
		REV	DATE:
		01	Apr.18,06

2. PCB LAYOUT :



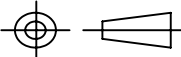
SUGGESTED PCB LAYOUT
(TOP VIEW)

3. LED CONFIGURATION :

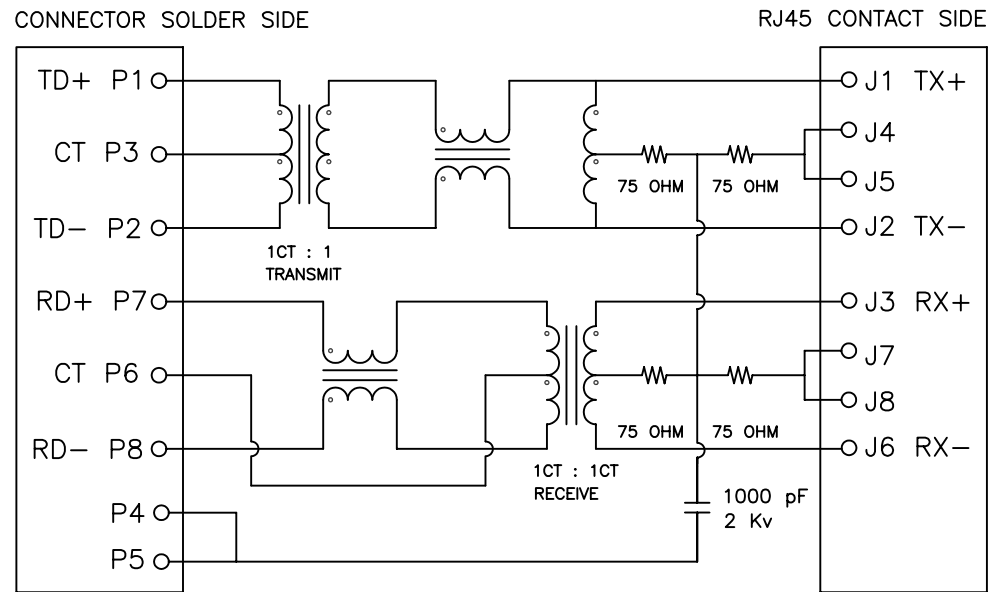


Color	Lens Color	Vf(v) @20mA		Iv(mcd) @10mA		Viewing angle 2θ 1/2
		Min	Max	Min	Typ	
Green	Green Diffused	1.7	2.8	3.5	6.0	116
Yellow	White Diffused	1.7	2.6	3.0	6.4	160
Green		1.7	2.6	1.8	4.2	160

RoHS Compliant

XMULTIPLE		CONNECTING THE INFORMATION AGE	
XMULTIPLE ASIA 4F, No. 347, Yang Guang St., Neihu Chiu, Taipei, Taiwan 11475		XMULTIPLE USA 1420 Los Angeles Ave., Suite G, Simi Valley, CA 93065	
THIS DRAWING IS A CONTROLLED DOCUMENT.		G/NO:	
TITLE: RJ45 Connectors, W/LED, 8P, 8C, Shielded/Thru Hole/10/100 Mbps FILTER		DWG NO: XRJG-01S-H-E13-510	
PART NO: XRJG-01S-H-E13-510		DRAWN: AUSTIN	
		UNIT	SHEET
		mm[inch]	2 of 3
		REV	DATE:
		01	Apr.18,06

4. SCHEMATIC:



5. ELECTRICAL CHARACTERISTICS :

TEST NOTES:(25±5°C)

1.TR:(100KHz,0.1V);

PINS:(P1-P2):(J1-J2)=1:1±3%

PINS:(P7-P8):(J3-J6)=1:1±3%

2.LX:(100KHz,100mV,8mA, DC Bias)

PINS: (P1,P2),(P7,P8)=350uH MINIMUM

3.DCR:

PINS:(P1-P2),(J1-J2),(J3-J6)= 1.0 OHMS MAXIMUM

PINS:(;7-;8)=1.2 OHMS MAXIMUM

4.HIPOT:

PINS(P1,P3,P2)TO(J1,J2)=1500VAC FOR 60 SECONDS

PINS(P7,P6,P8)TO(J3,J6)=1500VAC FOR 60 SECONDS

5.INSERTION LOSS:

-1.0dB MAXIMUM AT 0.3MHz TO 100MHz;

6.RETURN LOSS:

-20dB MINIMUM AT 1MHz TO 30MHz;

-15dB MINIMUM AT 30MHz TO 60MHz

-10dB MINIMUM AT 60MHz TO 80MHz

7.CROSS TALK:

-30dB MINIMUM AT 1MHz TO 100MHz

8.COMMON TO COMMON MODE REJECTION:

-30dB MINIMUM AT 1MHz TO 100MHz

XRJG-01S-H-E13-510

PRODUCT SERIES
G : TAB DOWN WITH LED

NUMBER OF PORT
MECHANICAL TYPE
01S : XRJG 1 PORT,
OBLIQUE LED PIN

LED COLOR OPTION

PROTOCOL TYPE
E : 10/100 Mbps, 5 CORE

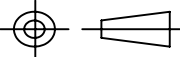
SPECIAL CODE
0 : STANDARD

SHIELDED TYPE
1 : Y=3.05mm, EMI FINGER
ON ALL SIDE

LED POLARITY
5 : BI-COLOR, +-


CIRCUIT TYPE

RoHS Compliant

XMULTIPLE		CONNECTING THE INFORMATION AGE	
XMULTIPLE ASIA 4F, No. 347, Yang Guang St., Neihu Chiu, Taipei, Taiwan 11475		XMULTIPLE USA 1420 Los Angeles Ave., Suite G, Simi Valley, CA 93065	
THIS DRAWING IS A CONTROLLED DOCUMENT.		G/NO:	
TITLE: RJ45 Connectors, W/LED, 8P, 8C, Shielded/Thru Hole/10/100 Mbps FILTER		DWG NO: XRJG-01S-H-E13-510	
PART NO: XRJG-01S-H-E13-510		DRAWN: AUSTIN	
		UNIT	SHEET
		mm[inch]	3 of 3
		REV	DATE:
		01	Apr.18,06