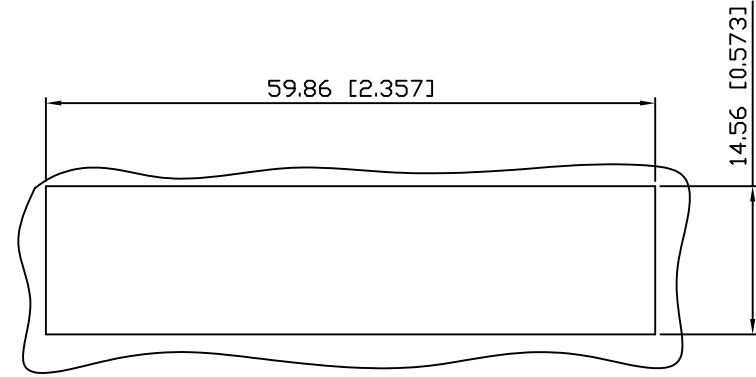
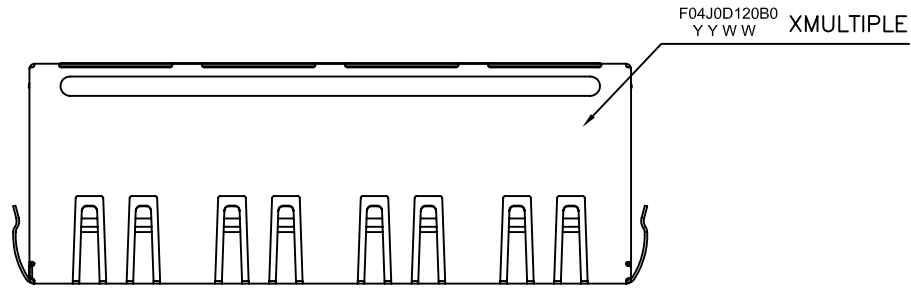
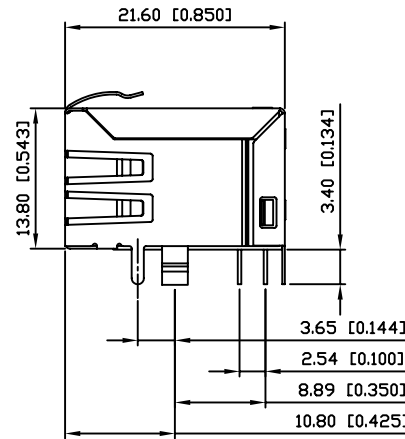
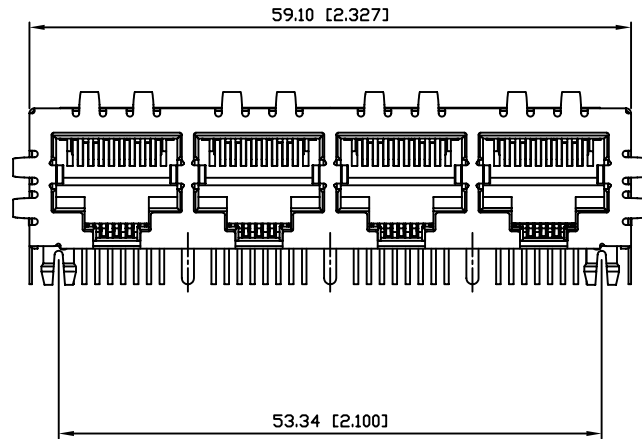


1. MECHANICAL DIMENSIONS :



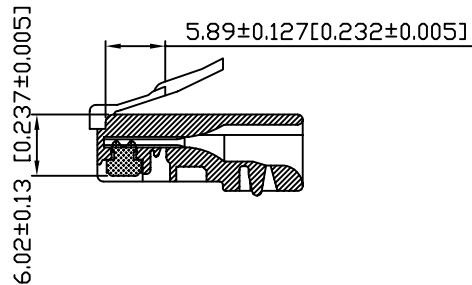
RECOMMENDED
PANEL CUTOUT DIMENSION



NOTES:

1. MATERIALS:
HOUSING: PBT POLYESTER UL94V-0
MIXED GLASS FIBER.
STANDARD COLOR-BLACK.
CONTACTS: 0.35mm THICK PHOS-BRONZE PLATED
WITH 15u" GOLD AND TIN
IN SOLDER AREA.
SHIELD: 0.25mm THICK COPPER ALLOY,
PLATED WITH NICKEL.
2. OPERATING TEMPERATURE : 0°C~70°C
3. CAVITY CONFORMS TO FCC RULES AND REGULATIONS
PART 68, SUBPART F.
4. UNSPECIFIED TOLERANCE: .XX ±0.25[0.010]
.X ±0.30[0.012]

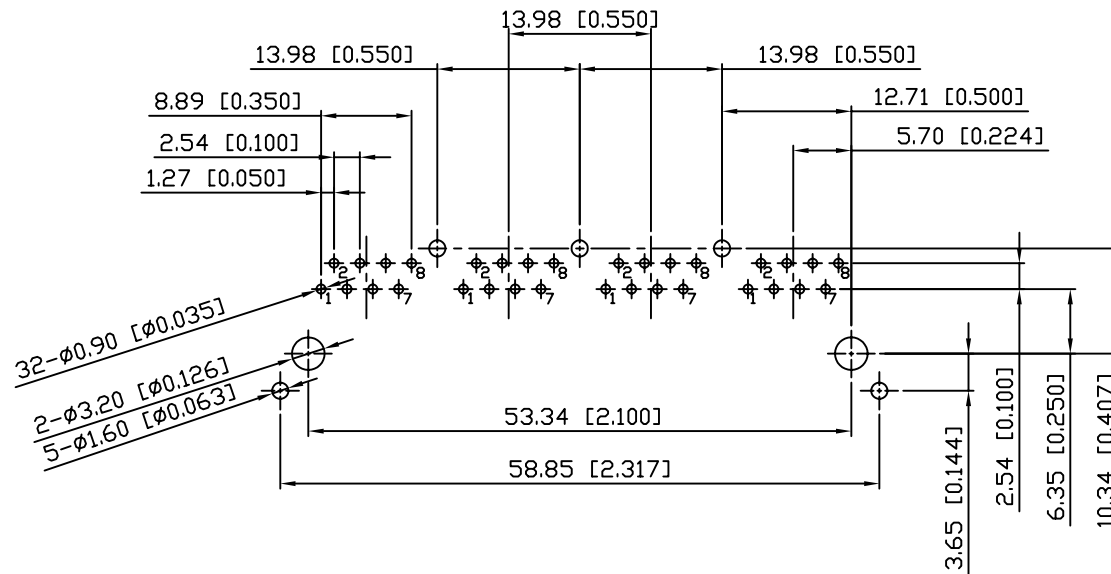
RECOMMENED PLUG DIMENSION:



RoHS Compliant

XMULTIPLE		CONNECTING THE INFORMATION AGE	
XMULTIPLE ASIA 4F, No. 347, Yang Guang St., Neihu, Taipei, Taiwan 11475		XMULTIPLE USA 1420 Los Angeles Ave., Suite G, Simi Valley, CA 93065	
THIS DRAWING IS A CONTROLLED DOCUMENT.		G/NO:	
TITLE: RJ45, SHIELDED, WITH LED, WITH TRANSFORMER SIDE ENTRY PCB JACK		DWG NO: XRJF-04J-0-D12-080	
PART NO: XRJF-04J-0-D12-0B0		DRAWN: RUNES	
		CHKD: TARA	
		DATE: Aug.08,08	
UNIT mm [Inch]	SHEET 1 of 3	REV 01	

2. PCB LAYOUT :



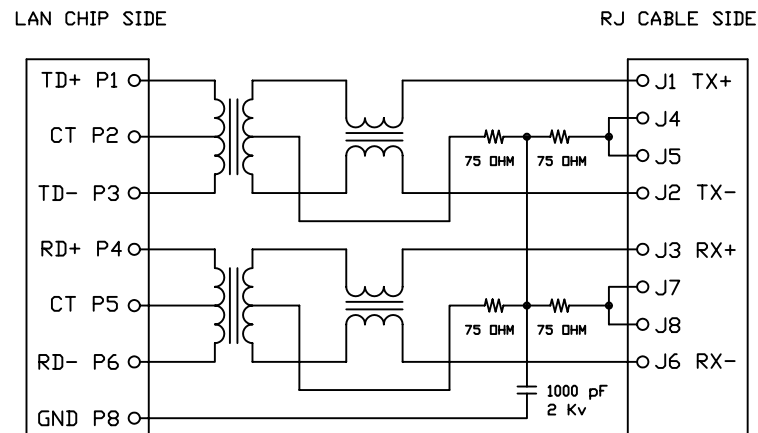
SUGGESTED PCB LAYOUT
(TOP VIEW)

DIMENSIONAL TOLERANCE: .XX ±0.08[0.003]

RoHS Compliant

			CONNECTING THE INFORMATION AGE	
XMULTIPLE ASIA 4F, No. 347, Yang Guang St., Neihu, Taipei, Taiwan 11475		XMULTIPLE USA 1420 Los Angeles Ave., Suite G, Simi Valley, CA 93065		G/NO:
THIS DRAWING IS A CONTROLLED DOCUMENT.				DWG NO: XRJF-04J-0-D12-080
TITLE: RJ45, SHIELDED, WITH LED, WITH TRANSFORMER SIDE ENTRY PCB JACK				DRAWN: RUNES
PART NO: XRJF-04J-0-D12-0B0				CHKD: TARA
		UNIT mm [Inch]	SHEET 2 of 3	REV 01
				DATE: Aug.08,08

3. SCHEMATIC:



4. ELECTRICAL CHARACTERISTICS :

- TEST NOTES:(25±5°C)
- 1.TR:(100KHz,0.1V);
PINS:(P1-P3):(J1-J2)=1:1±3%
PINS:(P4-P6):(J3-J6)=1:1±3%
 - 2.LX:(100KHz,100mV,8mA, DC Bias)
PINS: (P1,P3),(P4,P6)=350uH MINIMUM
 - 3.DCR:
PINS:(J1-J2),(J3-J6)= 1.2 OHMS MAXIMUM
 - 4.HIPOT:
PINS(P1,P2,P3)TO(J1,J2)=1500VAC FOR 60 SECONDS
PINS(P4,P5,P6)TO(J3,J6)=1500VAC FOR 60 SECONDS
 - 5.INSERTION LOSS:
-1.0dB MAXIMUM AT 0.3MHZ TO 100MHZ;
 - 6.RETURN LOSS:
-20dB MINIMUM AT 1MHZ TO 30MHZ;
-15dB MINIMUM AT 30MHZ TO 60MHZ
-10dB MINIMUM AT 60MHZ TO 80MHZ
 - 7.CROSS TALK:
-30dB MINIMUM AT 1MHZ TO 100MHZ
 - 8.COMMON TO COMMON MODE REJECTION:
-30dB MINIMUM AT 1MHZ TO 100MHZ

XRJF-04J-0-D12-0B0

PRODUCT SERIES
XRJF : LATCH DOWN WITHOUT LED

NUMBER OF PORTS
MECHANICAL TYPE
04J : 4 PORT FOR XRJF OR XRJG
W/O MODULE

LED COLOR OPTION

SPECIAL CODE
0 : STANDARD

SHIELDED TYPE
B : 4 PORT W/3 TABS, Z=3.65mm,
EMI FINGER ON ALL SIDE

LED POLARITY
0 : W/O LED



CIRCUIT TYPE

RoHS Compliant

XMULTIPLE		CONNECTING THE INFORMATION AGE	
XMULTIPLE ASIA 4F, No. 347, Yang Guang St., Neihu, Taipei, Taiwan 11475		XMULTIPLE USA 1420 Los Angeles Ave., Suite G, Simi Valley, CA 93065	
THIS DRAWING IS A CONTROLLED DOCUMENT.		G/NO:	
TITLE: RJ45, SHIELDED, WITH LED, WITH TRANSFORMER SIDE ENTRY PCB JACK		DWG NO: XRJF-04J-0-D12-0B0	
PART NO: XRJF-04J-0-D12-0B0		DRAWN: RUNES	
		CHKD: TARA	
		DATE: Aug.08,08	
UNIT mm[Inch]	SHEET 3 of 3	REV 01	