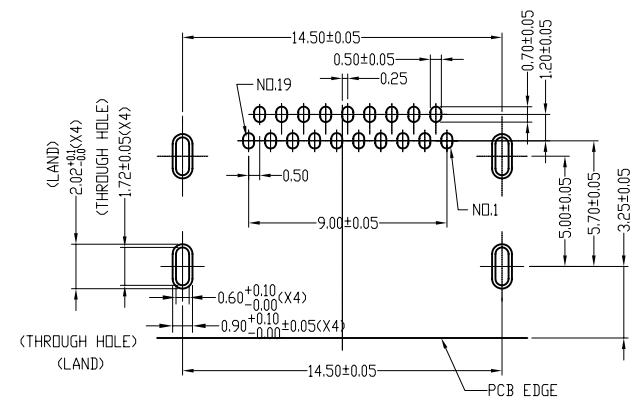
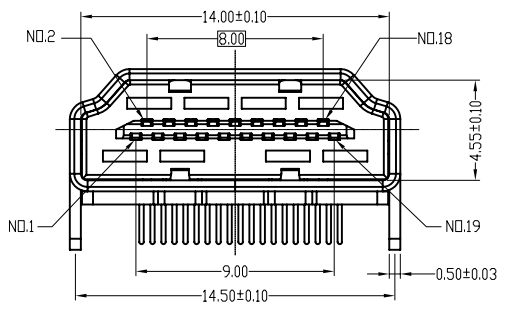
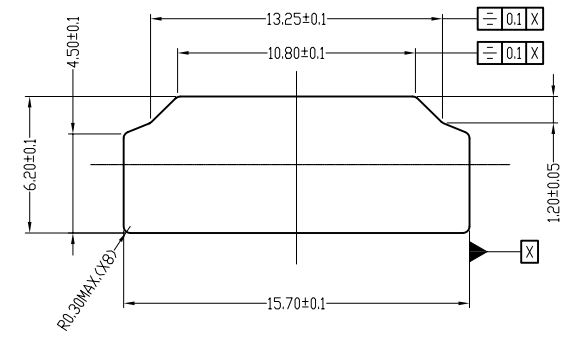


REFERENCE MOUNT DIMENSION



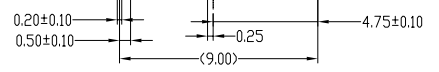
SUGGESTED PCB LAYOUT
TOP VIEW

DIMENSIONAL TOLERANCE: .XX ±0.08[0.003]



REFERENCE PANEL CUT OUT DIMENSION

RoHS Compliant



UNSPECIFIED TOLERANCE: .XX ± 0.20[0.008]
.X ± 0.25[0.010]

NO.	PART NAME.	DESCRIPTION	PLATING	Q' TY
3	SHELL	COPPER ALLOY	NICKEL	
2	CONTACT	COPPER ALLOY	15U" GOLD	
1	HOUSING	HIGH TEMPERATURE THERMOPLASTIC UL 94V-0 RATED		

		CONNECTING THE INFORMATION AGE	
THIS DRAWING IS A CONTROLLED DOCUMENT.			
TITLE: HDMI RECEPTACLE REVERSE DIP, 19PIN		DWG NO: XHDMI-F19T0-01-MW	
PART NO: XHDMI-F19T0-01-MW		DRAWN: TARA	
		CHECKD: JEFF	
DIMENSIONS mm[inch]		SHEET 1 of 1	
REV 01		DATE: Sep,01,07	