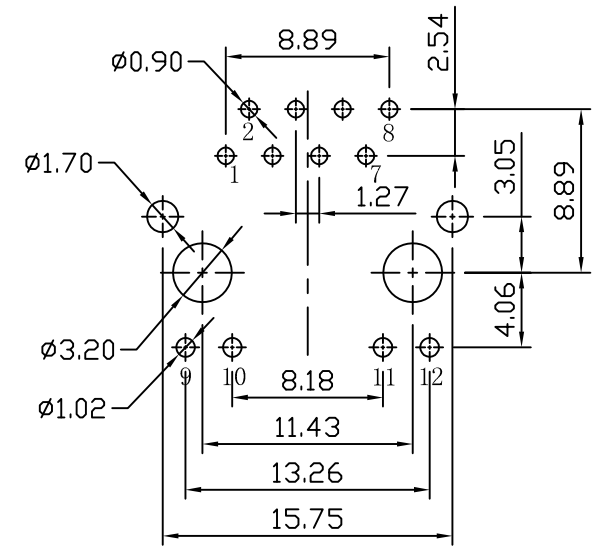
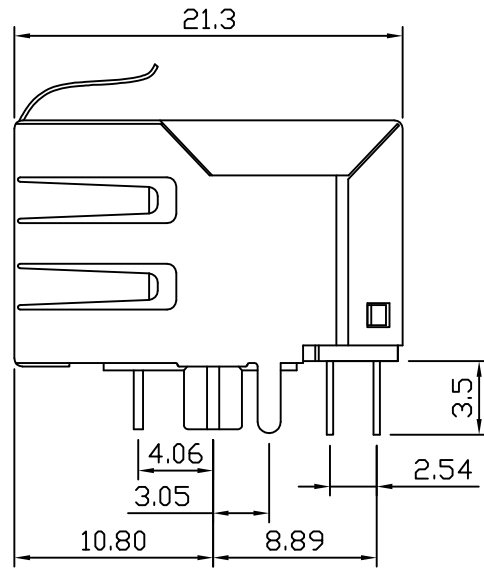
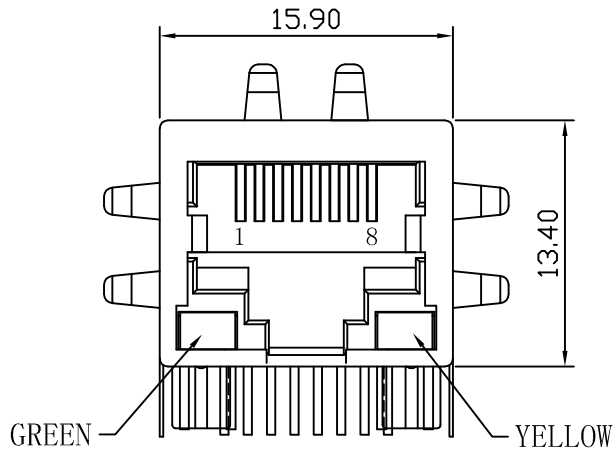
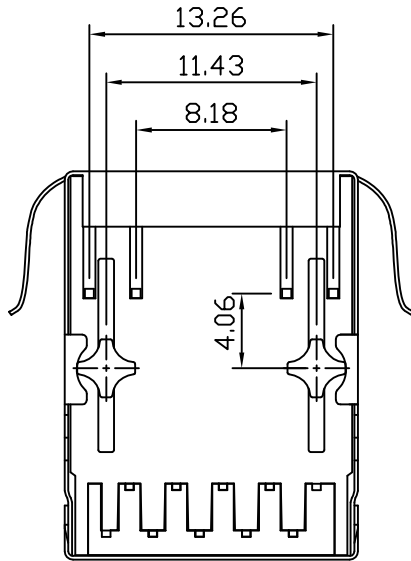


Mechanical:

REV.	ECN NO.	DESCRIPTION	DATE	APPD
A	REL		14/05/2009	



SUGGESTED PCB LAYOUT (TOP VIEW)



NOTES:

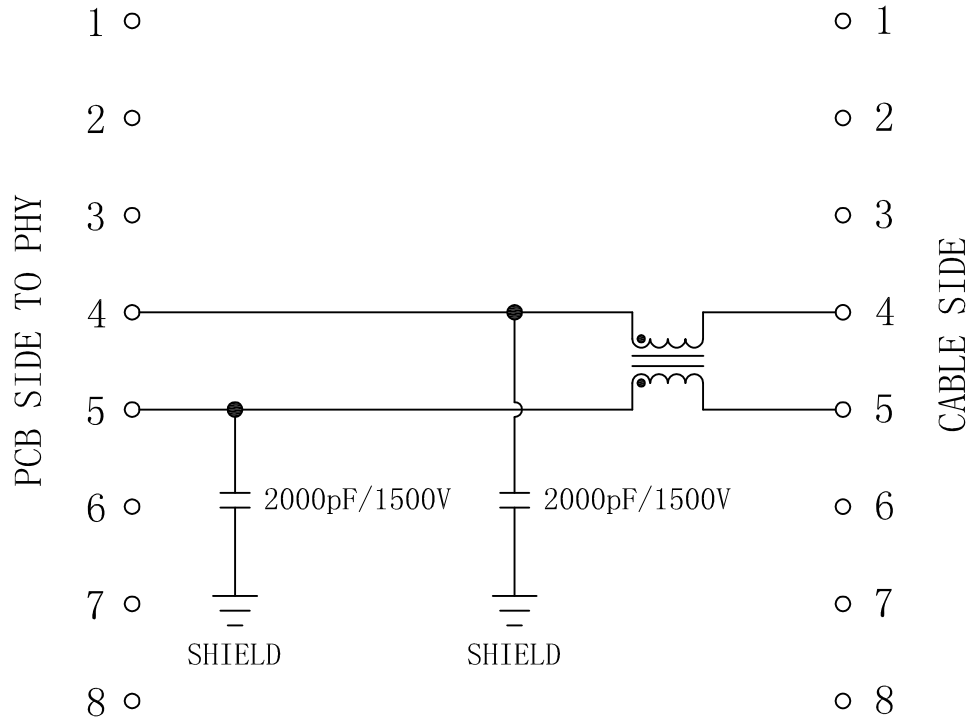
1. Designed to support application, such as SOHO (ADSL modems), LAN-on-Motherboard (LOM), hub and Switches.
2. Meets IEEE 802.3 specification
3. Connector Materials:
 Housing: Thermoplastic UL94V-0
 Contact/Shield: Copper alloy
 Shield plating: Nickel
 Contact plating: Gold 6 micro-inches min. In contact area.
4. Pins Without Electrical Connections Are Omitted



X:X ±0.30	APPD:	XMULTIPLE TECHNOLOGIES, INC.
X:XX ±0.20	CHKD:	
X:XXX ±0.05	DR: C. H. Y	TITLE: XME-TRJ0044GBNL
ANGLES ±1°	UNIT: mm	PART NO.: TRJ0044GBNL
	SCALE: 2/1	SHEET: 1/2
	REV: A	DWG NO.: TRC09051401

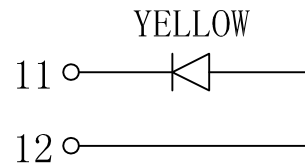
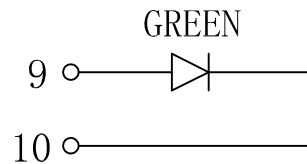
Schematic:

REV.	ECN NO.	DESCRIPTION	DATE	APPD
A	REL		14/05/2009	



ELECTRICAL SPECIFICATIONS @25°C

- INDUCTANCE: P4-J4=P5-J5
4mH NOMINAL 0.01V/10KHz
- DC RESISTANCE: P4-J4=P5-J5
0.5OHM MAX
- COMMON MODE ATTENUATION:
 - 1MHz @ 50dB
 - 5MHz @ 55dB
 - 20MHz @ 65dB
 - 70MHz @ 40dB
 - 200MHz @ 35dB
 - 500MHz @ 20dB
- CURRENT RATING:
280mA CONTINUOUS, 5A FUSING



X:X ±0.30	APPD:	XMULTIPLE TECHNOLOGIES, INC.
X:XX ±0.20	CHKD:	
X:XXX ±0.05	DR: C. H. Y	TITLE: RJ45 COMMON MODE CHOKE
ANGLES ±1°	UNIT: mm	PART NO.: XME-TRJ0044GBNL
	SCALE: 2/1	SHEET: 2/2
	REV: A	DWG NO.: TRC09051401