

## XRJV MAGNETIC CONNECTOR SERIES

### FEATURES:

- RJ Top Entry Magnetic Connectors
- Available 1x1, 1x2, 1x4, 1x6 and 1x8 Ports
- Available with and without Magnetics
- Available with and without LEDs
- Optional 10/100Mbps, 1 Gigabit or 10 Gigabit
- Through Hole & SMT Contacts
- High Performance with Max. EMI Suppression
- HI-POT & functionality are 100% Electrically Tested
- Minimum of 750 to 1000 Insertion Cycles
- Applications Include: Server, Hub, Desktop Pc, Switch, LCD, TV, STB, Amplifier, AV Center, POS, Printer, Projector, Camera Systems



### ELECTRICAL AND PERFORMANCE:

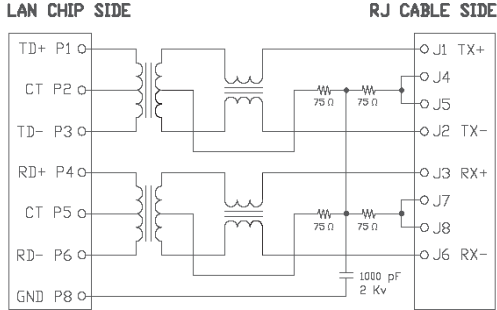
- 350uH Minimum OCL with 8 mA bias
- Meet or exceed IEEE 802.3 and IEEE 802.3ab Standard
- Minimum 1500Vrms Isolation Per 802.3 Requirements

### GENERAL SPECIFICATION:

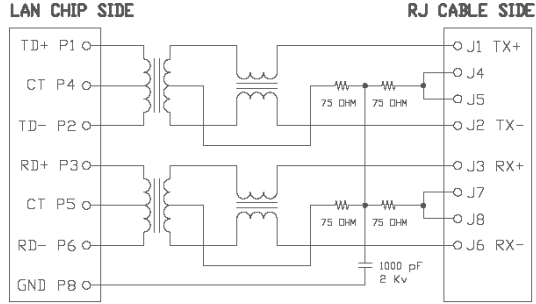
Product Type Features		Housing Related Features	
Tab Type	Tab Down and Tab Up	Material	PBT / Nylon
PCB Mount Angle	Top Entry (Vertical)	Housing Flammability	UL 94V-0
Number of Ports	1, 2, 4, 6 and 8	Color	Black- Others Optional
Number of Positions	8	<b>Contact Features</b>	
Number of Contacts	8	Material	Phos-Bronze
PCB Mount Style	Through Hole & Surface Mount	Contact Area Plating	Hard Gold
LED	With and Without LEDs	Solder Area Plating	Tin / Gold Flash
Transformer	With and Without Magnetics	<b>Magnetic Features</b>	
<b>Shielding Features</b>		Transformer Speed	10 / 100 / 1000 / 10000
Material	Copper Alloy	<b>Dimensions (mm)</b>	
Plating	Nickel	Length	Optional
EMI Fingers	With or Without	Width	Optional
Number of PCB Ground Tabs	Optional	Height	Optional
Ground Pin Position (mm)	Optional		

## 10/100 Mbps SCHEMATICS

### D12 :



### D22:

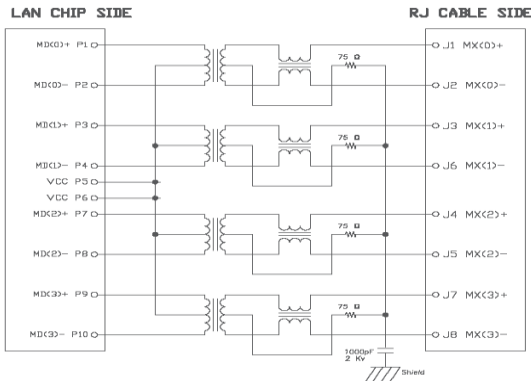


10/100 Mbps MHz Electrical Specification @25degree C

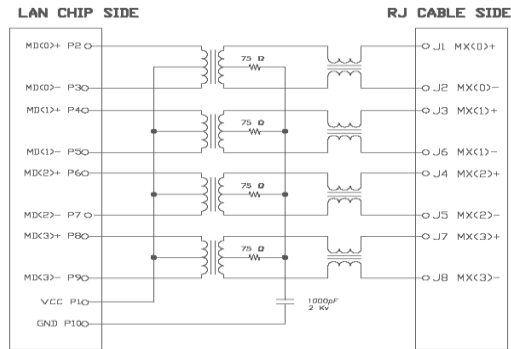
Item	TR	LX	DCR	Hi-Pot	Ins.Loss	Return Loss			Cross Talk	Com.Mode Rejection
		100KHz, 100mV	(Every RJ Pair)	Input to Output	0.3-100 MHz	1-30 MHz	30-60 MHz	60-80 MHz	1-100MHz	1-100MHz
XRJV-01X-1-D12-XXX	1:1+3%	350 uH Min	1,2ohm Max	1500VAC for 60s	-1.0dB Max	-20dB Min	-15dB Min	-10dB Min	-30dB Min	-30dB Min
XRJV-02X-1-D22-XXX	1:1+3%	350 uH Min	1,2ohm Max	1500VAC for 60s	-1.0dB Max	-20dB Min	-15dB Min	-10dB Min	-30dB Min	-30dB Min
XRJV-04X-1-D22-XXX	1:1+3%	350 uH Min	1,2ohm Max	1500VAC for 60 s	-1.0dB Max	-20dB Min	-15dB Min	-10dB Min	-30dB Min	-30dB Min

## 10/100/1000 Mbps SCHEMATICS:

### H11:



### H32:



1000 Mbps MHz Electrical Specification @25degree C

Item	TR	LX	DCR	Hi-Pot	Insertion Loss	
Part Number		100KHz, 100mV, 8mA, DC Bias	(Every RJ Pair)	Input to Output	0.3-100MHz	100-125MHz
XRJV-01X-1-H33-XXX	1:1 +3%	350 uH Min	1.2 ohm Max	1500VAC for 60s	-0.8dB Max	-1.2dB Max
XRJV-02X-1-H33-XXX	1:1 +3%	350 uH Min	1.2 ohm Max	1500VAC for 60s	-0.8dB Max	-1.2dB Max
	<b>Common Mode Rejection</b>		<b>Return Loss</b>		<b>Cross Talk</b>	
XRJV-04X-1-H33-XXX	300-100MHz	1-10 MHz	30-60 MHz	60-100 MHz	1-10 MHz	30-60 MHz
	-30dB Min	-20dB Min	-16dB Min	-12dB Min	-40dB Min	-35dB Min
	-30dB Min	-20dB Min	-16dB Min	-12dB Min	-40dB Min	-30dB Min

Note: 10GB Datasheet References 10GB Schematics & Electrical Specifications.