

# XRJH MAGNETIC CONNECTOR SERIES

## FEATURES:

- High Performance RJ Magnetic Connectors
- Available 1x1, 1x2, 1x4, 1x6 and 1x8 Ports & Stackable 2x1, 2x2, 2x4, 2x6 and 2x8 Ports
- 10/100Mbps, 1 Gigabit or 10 Gigabit
- Through Hole Contacts
- Available with or without LEDs for Easy Viewing of Connection/Activity Status
- Max. EMI Suppression
- Hi-POT & functionality are 100% Electrically Tested
- Minimum of 750 to 1000 Insertion Cycles



## ELECTRICAL AND PERFORMANCE:

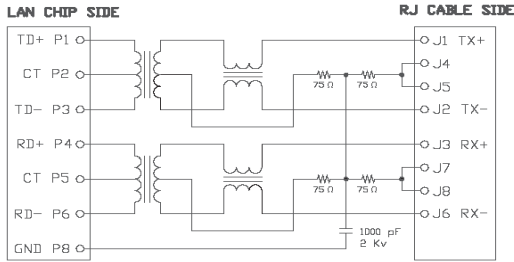
- 350uH Minimum OCL
- Meet or exceed IEEE 802.3 and IEEE 802.3ab Standard
- Minimum 1500Vrms Isolation Per 802.3 Requirements
- Tab Down and Tab Up Configurations

## GENERAL SPECIFICATION:

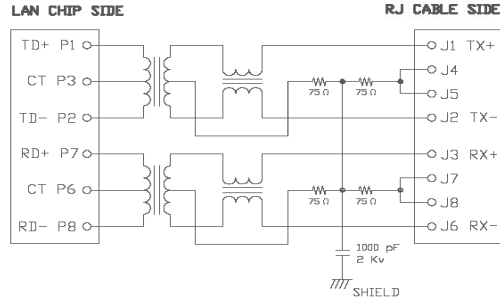
Product Type Features		Housing Related Features	
Tab Type	Tab Down and Tab Up	Material	PBT / Nylon
PCB Mount Angle	Side Entry (Right Angle)	Housing Flammability	UL 94V-0
Number of Ports	1, 2, 4, 6, 8, 12, 16	Color	Black and Optional Colors
Number of Positions	8 or 10	<b>Contact Features</b>	
Number of Contacts	8 or 10	Material	Phos-Bronze
PCB Mount Style	Through Hole	Contact Area Plating	Hard Gold
LED	Yes	Solder Area Plating	Tin
Transformer	Yes	<b>Magnetic Features</b>	
<b>Shielding Features</b>		Transformer Speed	10 / 100 / 1000 / 10000
Material	Copper Alloy	<b>Dimensions (mm)</b>	
Plating	Nickel	Length	Optional
EMI Fingers	With or Without	Width	Optional
Number of PCB Ground Tabs	Optional	Height	Optional
Ground Pin Position (mm)	Optional		

## 10/100 Mbps SCHEMATICS

### D12 :



### D31:

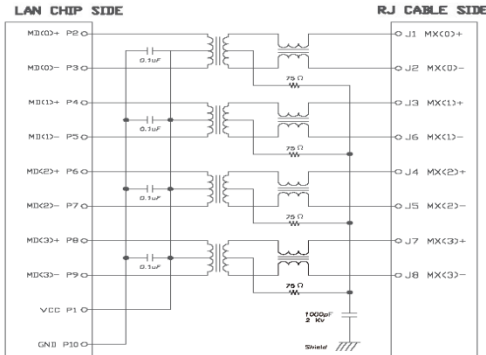


10/100 Mbps MHz Electrical Specification @25degree C

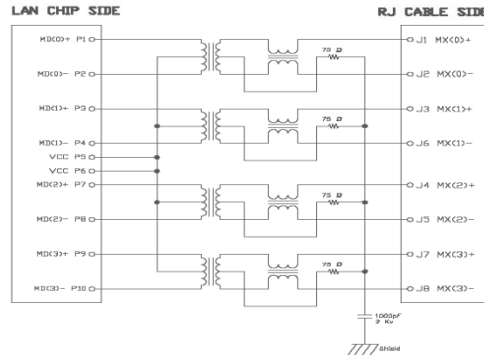
Item	TR	LX	DCR	Hi-Pot	Ins.Loss	Return Loss			Cross Talk	Com.Mode Rejection
Part Number		100KHz, 100mV	(Every RJ Pair)	Input to Output	0.3-100 MHz	1-30 MHz	30-60 MHz	60-80 MHz	1-100MHz	1-100MHz
XRJH-XXX-1-D12-XXX	1:1+3%	350 uH Min	1,2ohm Max	1500VAC for 60s	-1.0dB Max	-20dB Min	-15dB Min	-10dB Min	-30dB Min	-30dB Min
XRJH-XXX-1-D31-XXX	1:1+3%	350 uH Min	1,2ohm Max	1500VAC for 60s	-1.0dB Max	-20dB Min	-15dB Min	-10dB Min	-30dB Min	-30dB Min
XRJH-XXX-1-D31-XXX	1:1+3%	350 uH Min	1,2ohm Max	1500VAC for 60 s	-1.0dB Max	-20dB Min	-15dB Min	-10dB Min	-30dB Min	-30dB Min

## 10/100/1000 Mbps SCHEMATICS:

### H33:



### H11:



1000 Mbps MHz Electrical Specification @25degree C

Item	TR	LX	DCR	Hi-Pot	Insertion Loss	
Part Number		100KHz, 100mV, 8mA, DC Bias	(Every RJ Pair)	Input to Output	0.3-100MHz	100-125MHz
XRJH-XXX-1-H33-XXX	1:1 +3%	350 uH Min	1.2 ohm Max	1500VAC for 60s	-0.8dB Max	-1.2dB Max
XRJH-XXX-1-H33-XXX	1:1 +3%	350 uH Min	1.2 ohm Max	1500VAC for 60s	-0.8dB Max	-1.2dB Max
XRJH-XXX-1-H11-XXX						
		<u>Common Mode Rejection</u>		<u>Return Loss</u>	<u>Cross Talk</u>	
		300-100MHz	1-10 MHz	30-60 MHz	60-100 MHz	1-10 MHz
		-30dB Min	-20dB Min	-16dB Min	-12dB Min	-40dB Min
		-30dB Min	-20dB Min	-16dB Min	-12dB Min	-35dB Min
						-30dB Min

Note: 10GB Datasheet References 10GB Schematics & Electrical Specifications.